



Chipsmall Limited consists of a professional team with an average of over 10 year of expertise in the distribution of electronic components. Based in Hongkong, we have already established firm and mutual-benefit business relationships with customers from,Europe,America and south Asia,supplying obsolete and hard-to-find components to meet their specific needs.

With the principle of "Quality Parts,Customers Priority,Honest Operation,and Considerate Service",our business mainly focus on the distribution of electronic components. Line cards we deal with include Microchip,ALPS,ROHM,Xilinx,Pulse,ON,Everlight and Freescale. Main products comprise IC,Modules,Potentiometer,IC Socket,Relay,Connector.Our parts cover such applications as commercial,industrial, and automotives areas.

We are looking forward to setting up business relationship with you and hope to provide you with the best service and solution. Let us make a better world for our industry!



Contact us

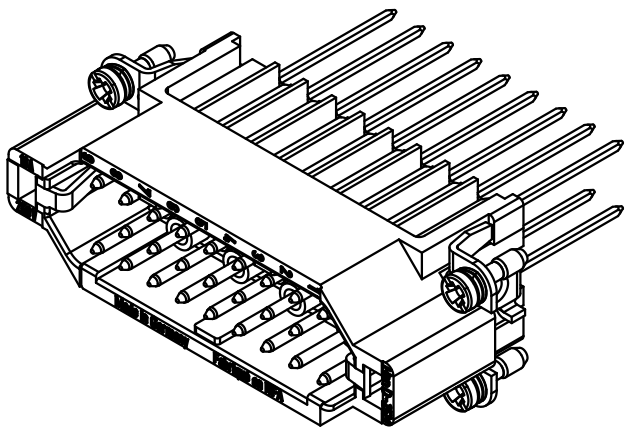
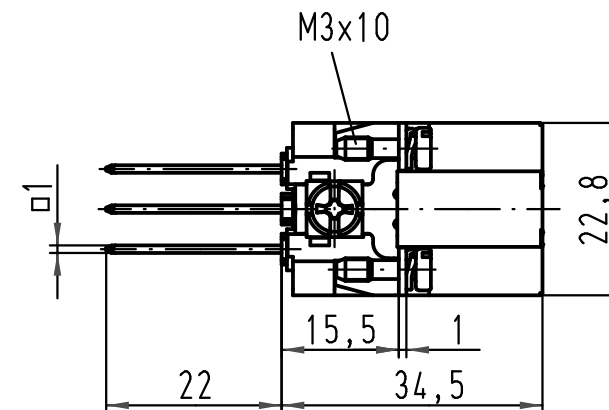
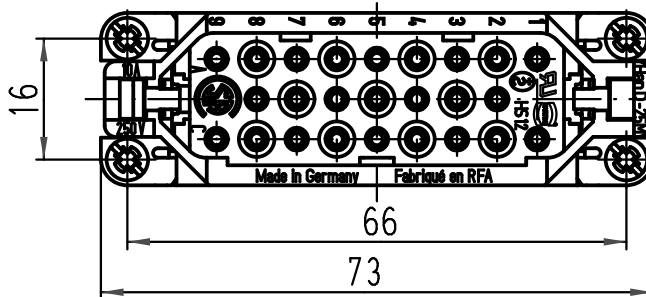
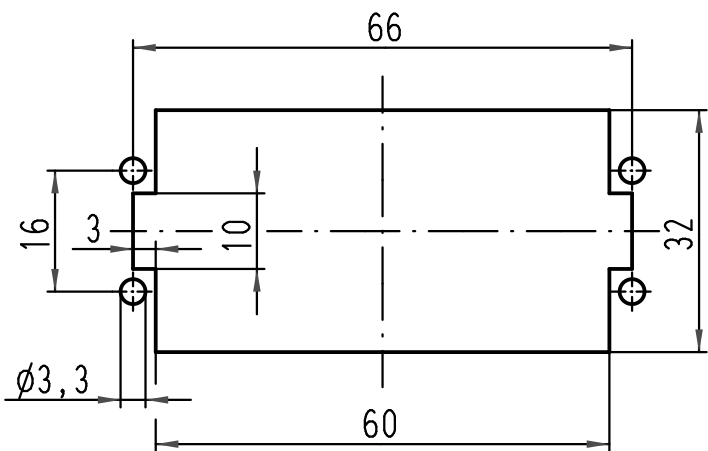
Tel: +86-755-8981 8866 Fax: +86-755-8427 6832

Email & Skype: info@chipsmall.com Web: www.chipsmall.com

Address: A1208, Overseas Decoration Building, #122 Zhenhua RD., Futian, Shenzhen, China



Montageausschnitt/
panel cut out



Rasterabstand zwischen den Kontakten: 5,3mm
screen line distance between the contacts: 5,3mm

All Dimensions in mm Original Size DIN A 4		Techn. Character.			Nicht tolerierte Masse/ Free size tolerances	
			Dat.	Name	Massstab/ Scale	Han 25D-M-ww-□1 Stiftträger/ male insert
		Detail.	12.04.99	KR		
		Insp.		SDT.		
411417	18.01.05	Loe.	Stand.		1:1	TB 09 21 025 2601 Sub. TB 09 21 0.. 2601 Bl.1/2 v. 22.03.93
410526	18.07.03	Ho				
25626						
Mod.	Dat.	Name	HARTING Electric GmbH & Co. KG D-32339 Espelkamp			Blatt/ page