



Chipsmall Limited consists of a professional team with an average of over 10 year of expertise in the distribution of electronic components. Based in Hongkong, we have already established firm and mutual-benefit business relationships with customers from,Europe,America and south Asia,supplying obsolete and hard-to-find components to meet their specific needs.

With the principle of "Quality Parts,Customers Priority,Honest Operation,and Considerate Service",our business mainly focus on the distribution of electronic components. Line cards we deal with include Microchip,ALPS,ROHM,Xilinx,Pulse,ON,Everlight and Freescale. Main products comprise IC,Modules,Potentiometer,IC Socket,Relay,Connector.Our parts cover such applications as commercial,industrial, and automotives areas.

We are looking forward to setting up business relationship with you and hope to provide you with the best service and solution. Let us make a better world for our industry!



Contact us

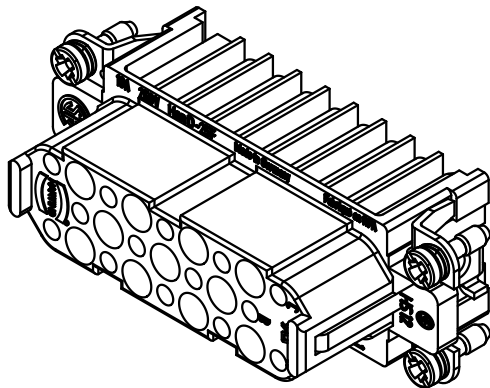
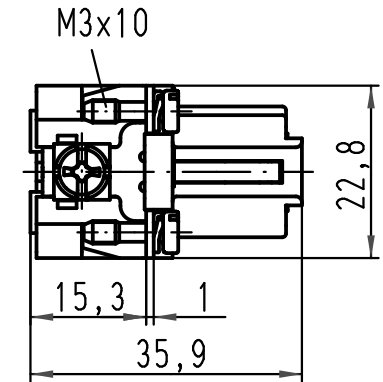
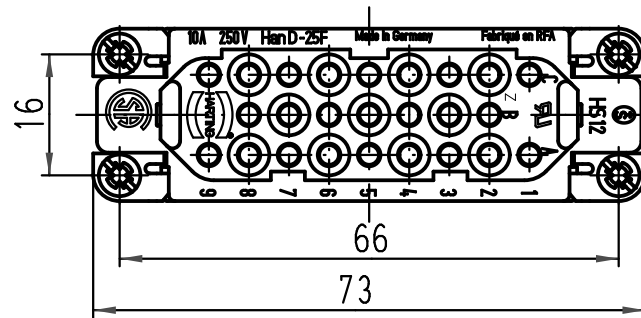
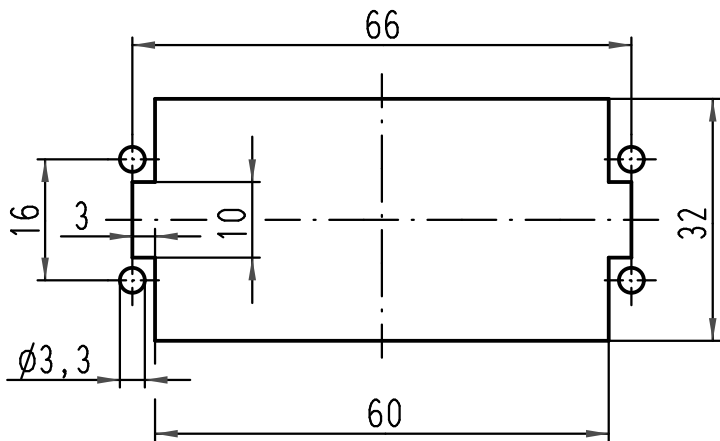
Tel: +86-755-8981 8866 Fax: +86-755-8427 6832



Email & Skype: info@chipsmall.com Web: www.chipsmall.com

Address: A1208, Overseas Decoration Building, #122 Zhenhua RD., Futian, Shenzhen, China



Montageausschnitt /
panel cut out



 All Dimensions in mm Original Size DIN A 4			Techn. Character.				Nicht tolerierte Masse! Free size tolerances	
			Dat.		Name	Massstab/Scale		
			Detail. 13.02.03		Loe.	1:1		
413213 14.09.07 Rull			Insp.		KR			
411417 18.01.05 Loe.			Stand.					
410526 18.07.03 Ho			HARTING Electric GmbH & Co. KG D-32339 Espelkamp				TB 09 21 025 3111	
410372								
Mod.	Dat.	Name				Blatt/ page Sub.		