



Chipsmall Limited consists of a professional team with an average of over 10 year of expertise in the distribution of electronic components. Based in Hongkong, we have already established firm and mutual-benefit business relationships with customers from,Europe,America and south Asia,supplying obsolete and hard-to-find components to meet their specific needs.

With the principle of “Quality Parts,Customers Priority,Honest Operation,and Considerate Service”,our business mainly focus on the distribution of electronic components. Line cards we deal with include Microchip,ALPS,ROHM,Xilinx,Pulse,ON,Everlight and Freescale. Main products comprise IC,Modules,Potentiometer,IC Socket,Relay,Connector.Our parts cover such applications as commercial,industrial, and automotives areas.

We are looking forward to setting up business relationship with you and hope to provide you with the best service and solution. Let us make a better world for our industry!



## Contact us

Tel: +86-755-8981 8866 Fax: +86-755-8427 6832

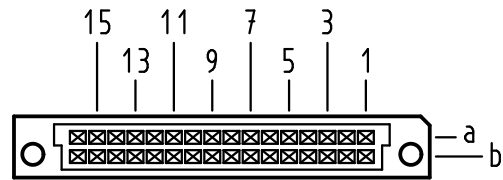
Email & Skype: info@chipsmall.com Web: www.chipsmall.com

Address: A1208, Overseas Decoration Building, #122 Zhenhua RD., Futian, Shenzhen, China



Alle Rechte vorbehalten/ All rights reserved

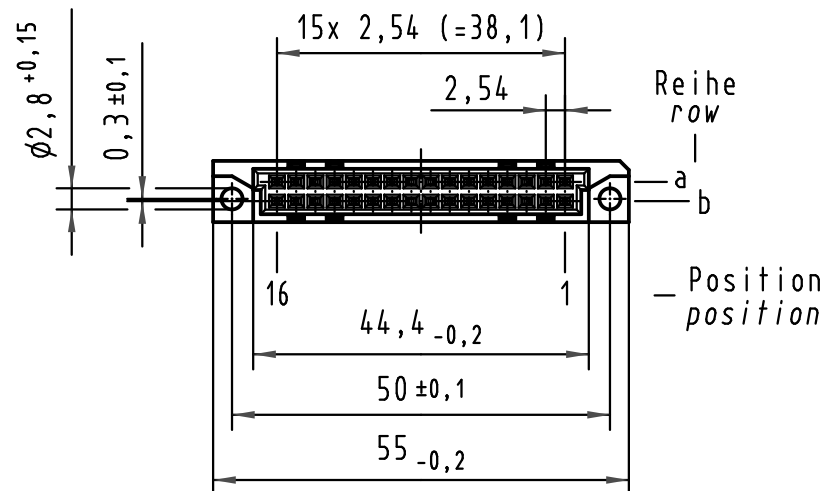
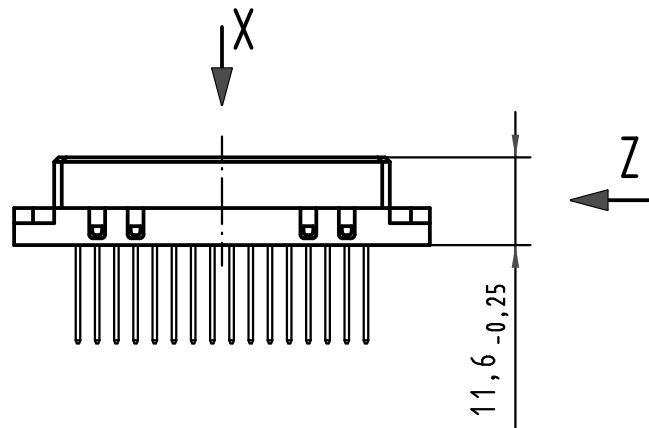
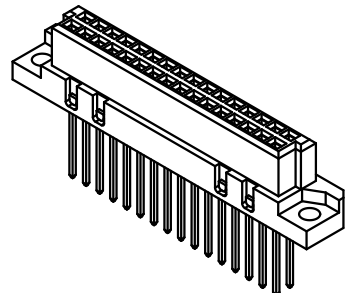
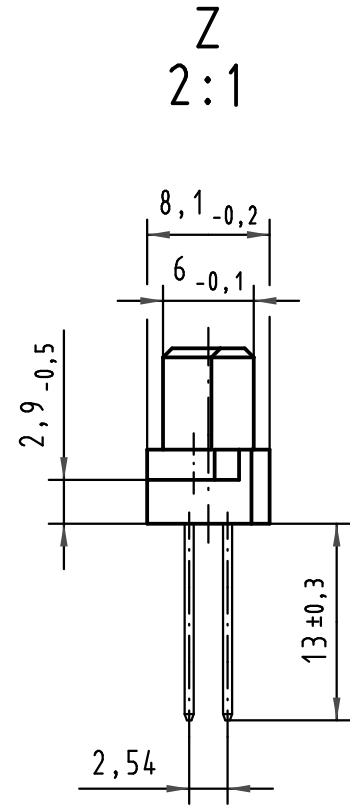
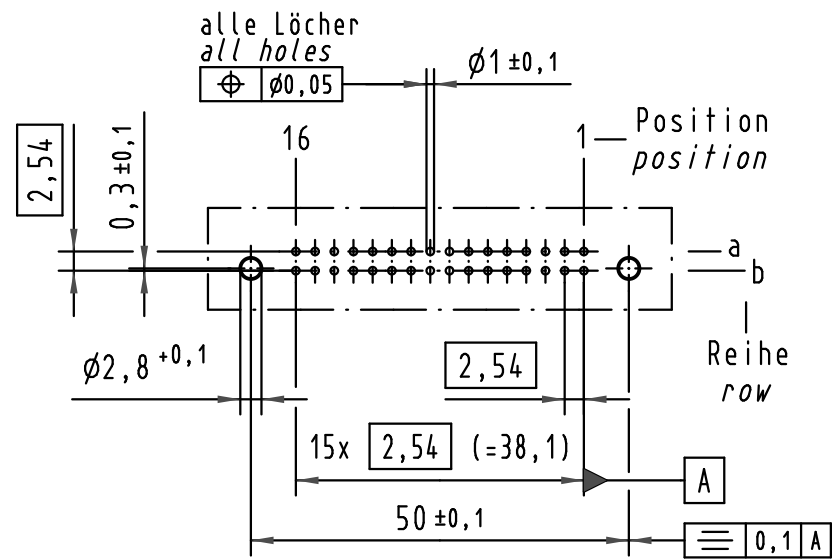
**X**  
Kontaktanordnung  
contact arrangement



32 Signal Kontakte  
32 signal contacts

- ☒ = Kontaktposition belegt  
= position with contact
- ☐ = Kontaktposition nicht belegt  
= position without contact

**X**  
(Lochbild)  
(board drillings)



09 22 232 6821	2	Au über/over Ni
Bestell-Nr. part-no.	Anforderungsstufe nach IEC performance level acc. to IEC	Kontaktoberfläche contact plating

			Techn. Character.			Nicht tolerierte Maße/Free size tolerances IEC 60603-2		
						Bauform 2B Federleiste WW 13, 32 pol. type 2B female connector WW 13, 32 pol.		
			Detail.	04.04.00	Rie.	1:1 (2:1)	TB 09 22 232 x821	
			Insp.	04.04.00	Pa.			
			Stand.					
34650	12.12.07	Hage.	HARTING Electronics GmbH & Co. KG				Sub.	
27637			D-32339 ESPELKAMP					
Mod.	Dat.	Name						Blatt/page