



Chipsmall Limited consists of a professional team with an average of over 10 year of expertise in the distribution of electronic components. Based in Hongkong, we have already established firm and mutual-benefit business relationships with customers from,Europe,America and south Asia,supplying obsolete and hard-to-find components to meet their specific needs.

With the principle of “Quality Parts,Customers Priority,Honest Operation,and Considerate Service”,our business mainly focus on the distribution of electronic components. Line cards we deal with include Microchip,ALPS,ROHM,Xilinx,Pulse,ON,Everlight and Freescale. Main products comprise IC,Modules,Potentiometer,IC Socket,Relay,Connector.Our parts cover such applications as commercial,industrial, and automotives areas.

We are looking forward to setting up business relationship with you and hope to provide you with the best service and solution. Let us make a better world for our industry!



Contact us

Tel: +86-755-8981 8866 Fax: +86-755-8427 6832

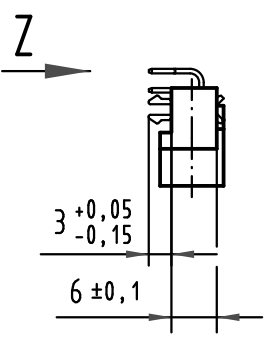
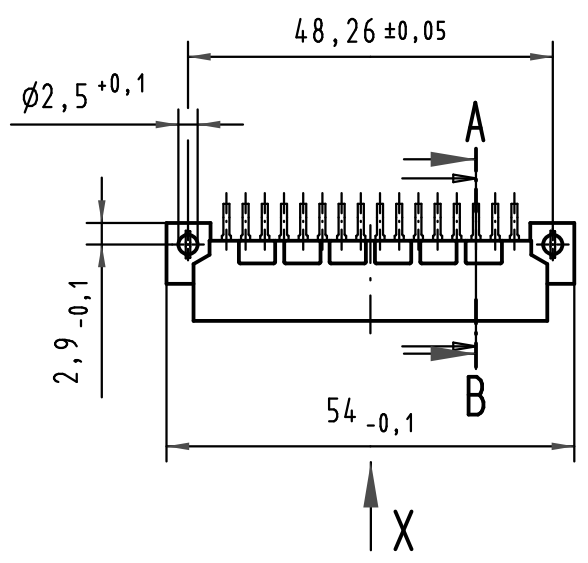
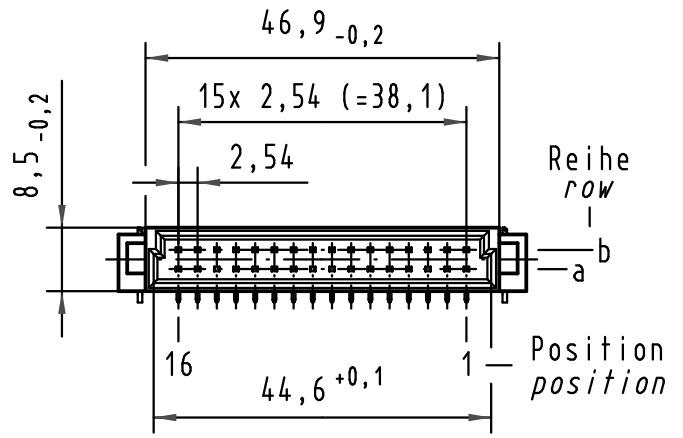
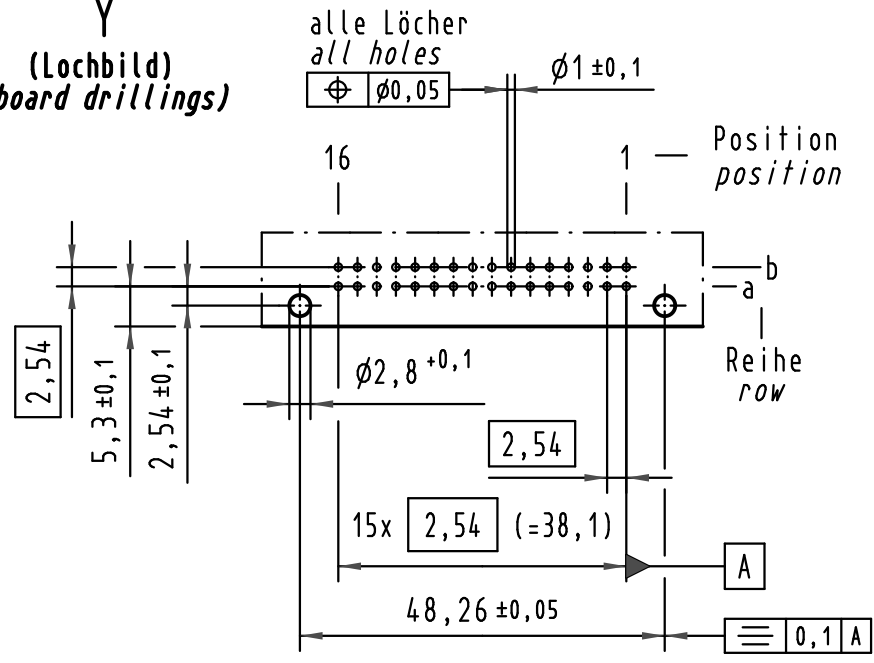
Email & Skype: info@chipsmall.com Web: www.chipsmall.com

Address: A1208, Overseas Decoration Building, #122 Zhenhua RD., Futian, Shenzhen, China



Alle Rechte vorbehalten/ All rights reserved

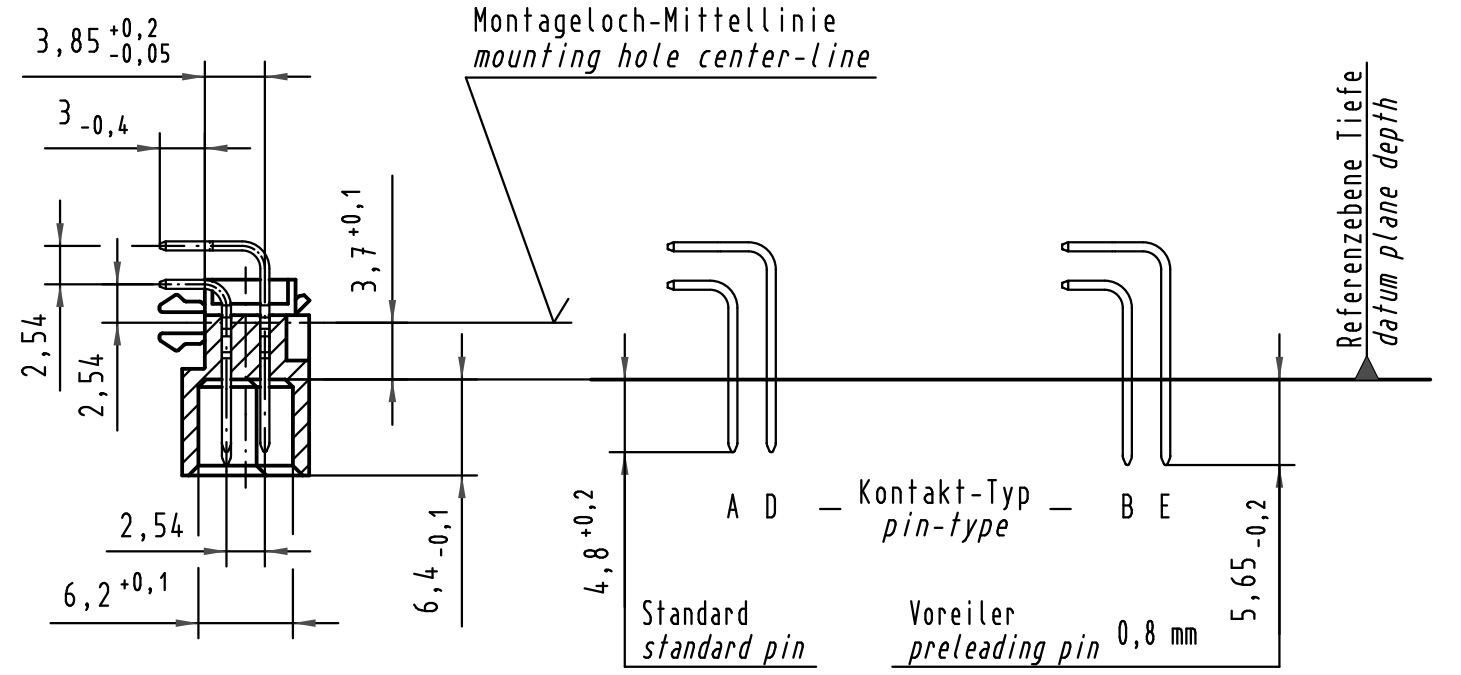
Y
(Lochbild)
(board drillings)



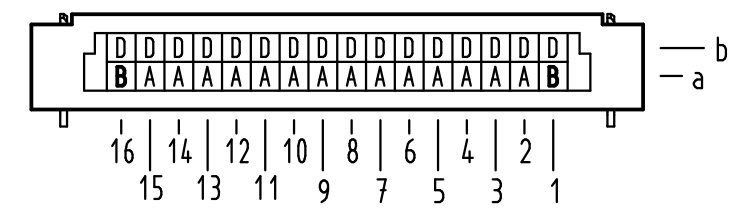
Z
10:1

Querschnitt der
Lötanschlüsse:
cross-section of
solder terminations:

A-B
2:1



X Kontaktbelegung
contact loading



09 22 332 6951	2	Au flash over PdNi over Ni
Bestell-Nr. part-no.	Anforderungsstufe nach IEC performance level acc. to IEC	Kontaktoberfläche contact plating

All Dimensions in mm Original Size DIN A 3		
Mod.	Dat.	Name
35495		

Techn. Character.		
	Dat.	Name
	08.04.09	Hage.
	08.04.09	LehT
HARTING Electronics GmbH & Co. KG D-32339 ESPELKAMP		

Nicht tolerierte Maße/Free size tolerances IEC 60603-2	
Bauform 2B Messerleiste mit Clip Einlöt, 32 pol. type 2B male connector with clip solder, 32 pol.	
TB 09 22 332 x951	Blatt/ page
Sub.	