



Chipsmall Limited consists of a professional team with an average of over 10 year of expertise in the distribution of electronic components. Based in Hongkong, we have already established firm and mutual-benefit business relationships with customers from,Europe,America and south Asia,supplying obsolete and hard-to-find components to meet their specific needs.

With the principle of “Quality Parts,Customers Priority,Honest Operation,and Considerate Service”,our business mainly focus on the distribution of electronic components. Line cards we deal with include Microchip,ALPS,ROHM,Xilinx,Pulse,ON,Everlight and Freescale. Main products comprise IC,Modules,Potentiometer,IC Socket,Relay,Connector.Our parts cover such applications as commercial,industrial, and automotives areas.

We are looking forward to setting up business relationship with you and hope to provide you with the best service and solution. Let us make a better world for our industry!



Contact us

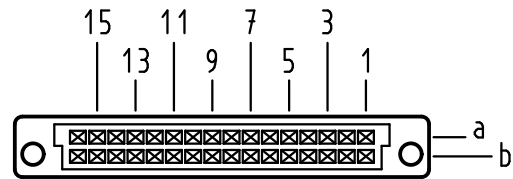
Tel: +86-755-8981 8866 Fax: +86-755-8427 6832

Email & Skype: info@chipsmall.com Web: www.chipsmall.com

Address: A1208, Overseas Decoration Building, #122 Zhenhua RD., Futian, Shenzhen, China



X
Kontaktanordnung
contact arrangement

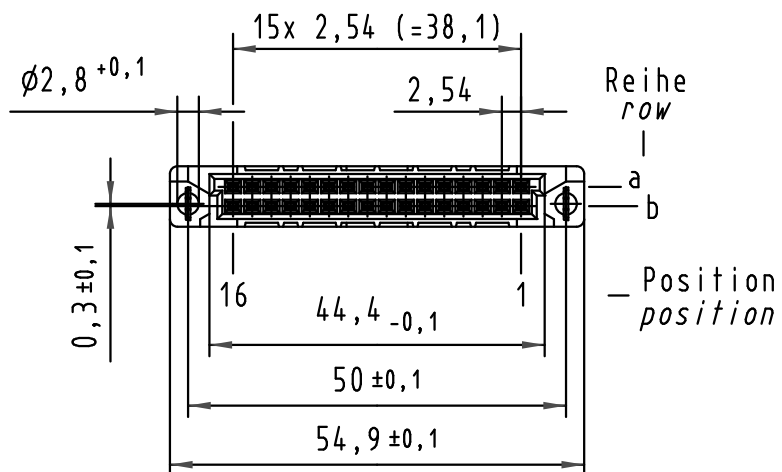
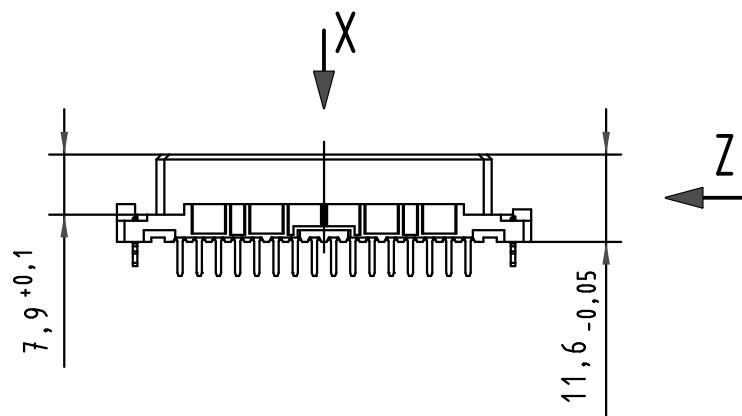
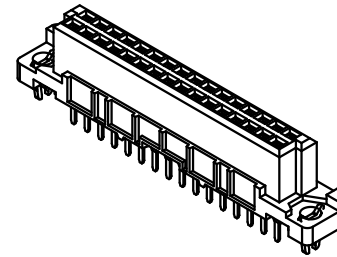
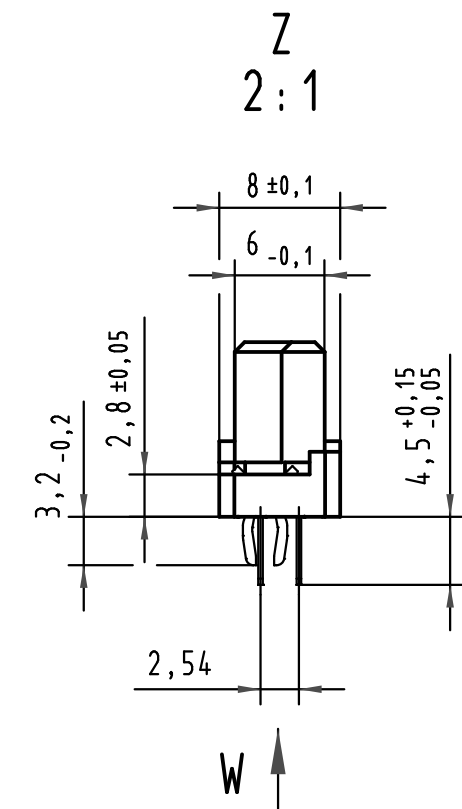
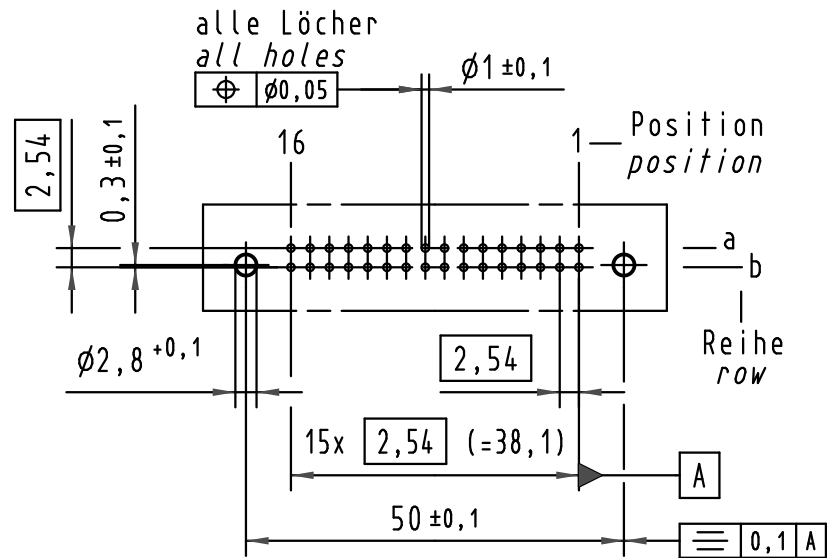


32 Einlöt-Kontakte
32 solder-contacts

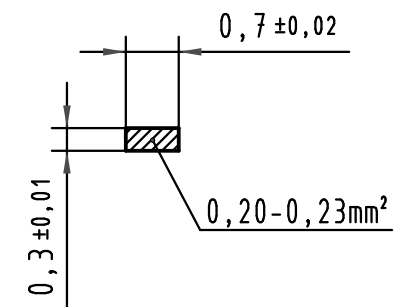
☒ = Einlöt-Kontakt
= solder-contact

□ = Kontaktposition nicht belegt
= position without contact

X
(Lochbild)
(board drillings)



W
10:1
Querschnitt der
Lötanschlüsse:
cross-section of
solder terminations:



09 22 432 6825	2	Au über/over Ni
Bestell-Nr. part-no.	Anforderungsstufe nach IEC performance level acc. to IEC	Kontaktoberfläche contact plating

All Dimensions in mm Original Size DIN A 3			Techn. Character.			Nicht tolerierte Maß/Free size tolerances IEC 60603-2		
						har-bus 2B Federleiste mit Clip Einlöt 4,5 , 32 pol. har-bus 2B female connector with clip solder 4,5 , 32 pol.		
			Detail.	23.08.05	Hage.	Maßstab/Scale 1:1 2:1	TB 09 22 432 x825	
			Insp.	23.08.05	Ge.			
			Stand.					
34306	29.11.07	LehT	HARTING Electronics GmbH & Co. KG D-32339 ESPELKAMP			Sub.		Blatt/ page
33055								
Mod.	Dat.	Name						

Alle Rechte vorbehalten/ All rights reserved