



Chipsmall Limited consists of a professional team with an average of over 10 year of expertise in the distribution of electronic components. Based in Hongkong, we have already established firm and mutual-benefit business relationships with customers from,Europe,America and south Asia,supplying obsolete and hard-to-find components to meet their specific needs.

With the principle of “Quality Parts,Customers Priority,Honest Operation,and Considerate Service”,our business mainly focus on the distribution of electronic components. Line cards we deal with include Microchip,ALPS,ROHM,Xilinx,Pulse,ON,Everlight and Freescale. Main products comprise IC,Modules,Potentiometer,IC Socket,Relay,Connector.Our parts cover such applications as commercial,industrial, and automotives areas.

We are looking forward to setting up business relationship with you and hope to provide you with the best service and solution. Let us make a better world for our industry!



## Contact us

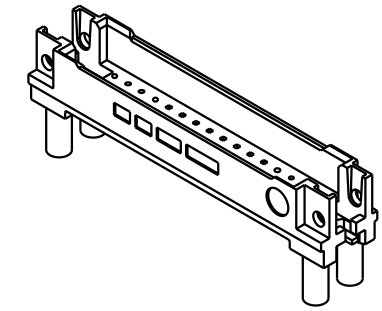
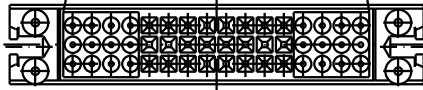
Tel: +86-755-8981 8866 Fax: +86-755-8427 6832

Email & Skype: info@chipsmall.com Web: www.chipsmall.com

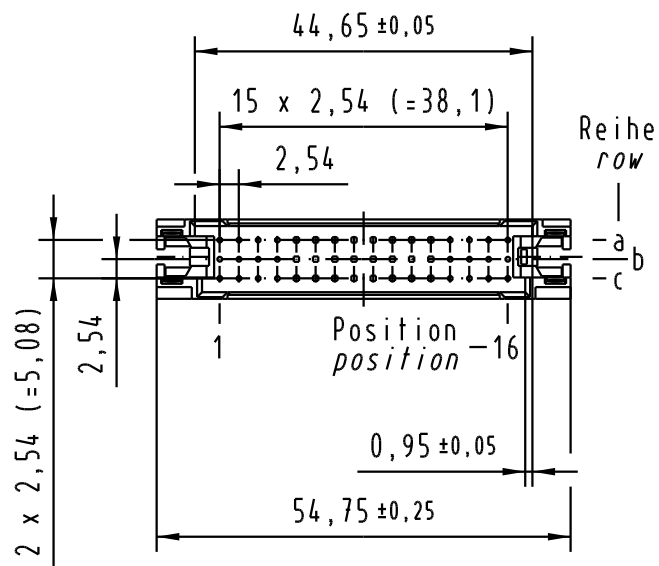
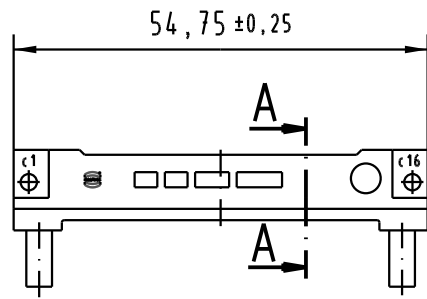
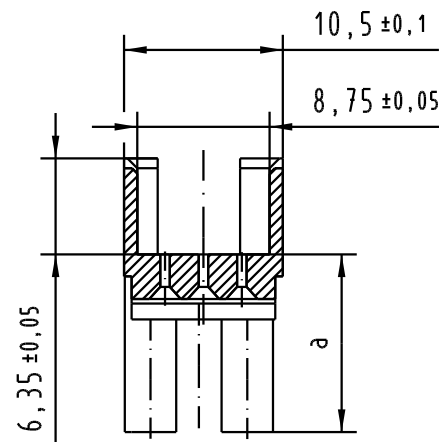
Address: A1208, Overseas Decoration Building, #122 Zhenhua RD., Futian, Shenzhen, China



Bereich für Presssitz  
mit Übergabestiften  
*area for press-fit  
to interface pins*



A-A  
2:1



Nr no	Artikel-Nr. part no.	LP-Dicke pcb-thickness	Kontaktlänge contact length	a±0,1
1	09 23 000 9950.00	3,0 ± 0,4	20,0 ± 0,3	11,75
2	09 23 000 9951.00	4,0 ± 0,4	20,0 ± 0,3	10,7
3	09 23 000 9952.00	1,6 ± 0,4	17,0 ± 0,3	9,9
		4,8 ± 0,4	20,0 ± 0,3	
4	09 23 000 9953.00	2,4 ± 0,4	17,0 ± 0,3	9,1
		5,6 ± 0,4	20,0 ± 0,3	
5	09 23 000 9954.00	3,2 ± 0,4	17,0 ± 0,3	8,3
		6,4 ± 0,4	20,0 ± 0,3	
6	09 23 000 9955.00	4,0 ± 0,4	17,0 ± 0,3	7,5
		7,2 ± 0,4	20,0 ± 0,3	
7	09 23 000 9956.00	1,6 ± 0,4	13,2 ± 0,3	6,7
		4,8 ± 0,4	17,0 ± 0,3	
8	09 23 000 9957.00	2,4 ± 0,4	13,2 ± 0,3	5,9
		5,6 ± 0,4	17,0 ± 0,3	
9	09 23 000 9958.00	3,2 ± 0,4	13,2 ± 0,3	5,1
		6,4 ± 0,4	17,0 ± 0,3	
10	09 23 000 9959.00	4,0 ± 0,4	13,2 ± 0,3	4,3

Alle Rechte vorbehalten. All rights reserved

All Dimensions in mm Original Size DIN A 3		Techn. Character.		Nicht tolerierte Maße! Free size tolerances		
					<b>DIN signal type 2C/2R shroud press-in</b>	
		Dat.	Name	Maßstab/Scale		
		03.11.05	Ge.	1:1		
		Insp.	Ge.			
		Stand.				
31221		HARTING Electronics GmbH & Co. KG D-32339 ESPELKAMP				TB 09 23 000 995x
Mod.	Dat.	Name			Sub.	Blatt / page