



Chipsmall Limited consists of a professional team with an average of over 10 year of expertise in the distribution of electronic components. Based in Hongkong, we have already established firm and mutual-benefit business relationships with customers from,Europe,America and south Asia,supplying obsolete and hard-to-find components to meet their specific needs.

With the principle of "Quality Parts,Customers Priority,Honest Operation,and Considerate Service",our business mainly focus on the distribution of electronic components. Line cards we deal with include Microchip,ALPS,ROHM,Xilinx,Pulse,ON,Everlight and Freescale. Main products comprise IC,Modules,Potentiometer,IC Socket,Relay,Connector.Our parts cover such applications as commercial,industrial, and automotives areas.

We are looking forward to setting up business relationship with you and hope to provide you with the best service and solution. Let us make a better world for our industry!



Contact us

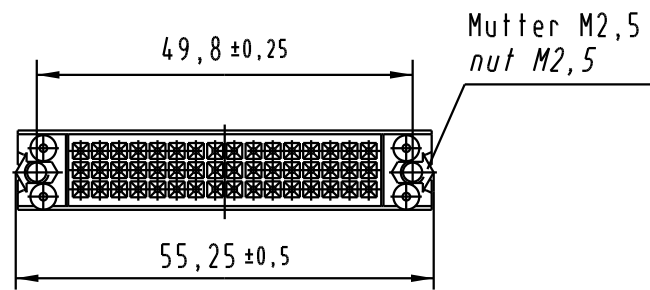
Tel: +86-755-8981 8866 Fax: +86-755-8427 6832

Email & Skype: info@chipsmall.com Web: www.chipsmall.com

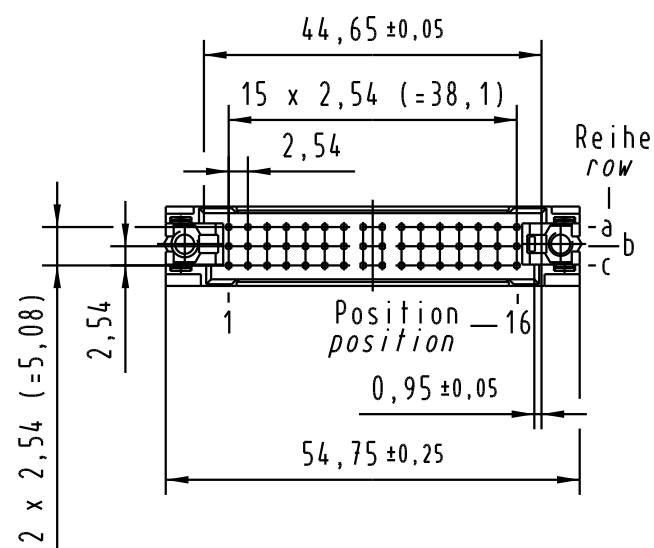
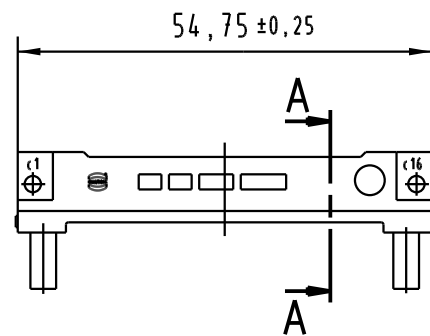
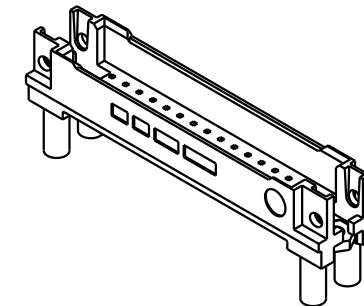
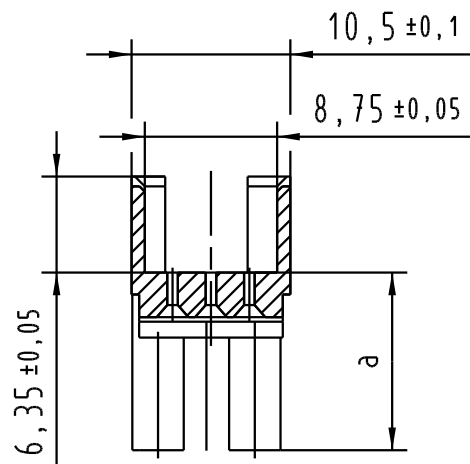
Address: A1208, Overseas Decoration Building, #122 Zhenhua RD., Futian, Shenzhen, China



Alle Rechte vorbehalten. All rights reserved



A-A
2:1



Nr no	Artikel-Nr. part no.	LP-Dicke pcb-thickness	Kontaktlänge contact length	a±0,1
1	09 23 000 9960.00	3,0 ± 0,4	20,0 ± 0,3	11,75
2	09 23 000 9961.00	4,0 ± 0,4	20,0 ± 0,3	10,7
3	09 23 000 9962.00	1,6 ± 0,4	17,0 ± 0,3	9,9
		4,8 ± 0,4	20,0 ± 0,3	
4	09 23 000 9963.00	2,4 ± 0,4	17,0 ± 0,3	9,1
		5,6 ± 0,4	20,0 ± 0,3	
5	09 23 000 9964.00	3,2 ± 0,4	17,0 ± 0,3	8,3
		6,4 ± 0,4	20,0 ± 0,3	
6	09 23 000 9965.00	4,0 ± 0,4	17,0 ± 0,3	7,5
		7,2 ± 0,4	20,0 ± 0,3	
7	09 23 000 9966.00	1,6 ± 0,4	13,2 ± 0,3	6,7
		4,8 ± 0,4	17,0 ± 0,3	
8	09 23 000 9967.00	2,4 ± 0,4	13,2 ± 0,3	5,9
		5,6 ± 0,4	17,0 ± 0,3	
9	09 23 000 9968.00	3,2 ± 0,4	13,2 ± 0,3	5,1
		6,4 ± 0,4	17,0 ± 0,3	
10	09 23 000 9969.00	4,0 ± 0,4	13,2 ± 0,3	4,3

All Dimensions in mm Original Size DIN A 3			Techn. Character.			Nicht tolerierte Maß/Free size tolerances			
				Dat.	Name	Maßstab/Scale 1:1 DIN signal type 2C/2R shroud screw-fix			
				Detail.	06.04.06				Ge.
				Insp.	06.04.06				Ge.
				Stand.					
33866	28.08.06	LehT	HARTING Electronics GmbH & Co. KG D-32339 ESPELKAMP					TB 09 23 000 996x Sub.	
31221								Blatt/page	
Mod.	Dat.	Name							