



Chipsmall Limited consists of a professional team with an average of over 10 year of expertise in the distribution of electronic components. Based in Hongkong, we have already established firm and mutual-benefit business relationships with customers from,Europe,America and south Asia,supplying obsolete and hard-to-find components to meet their specific needs.

With the principle of “Quality Parts,Customers Priority,Honest Operation,and Considerate Service”,our business mainly focus on the distribution of electronic components. Line cards we deal with include Microchip,ALPS,ROHM,Xilinx,Pulse,ON,Everlight and Freescale. Main products comprise IC,Modules,Potentiometer,IC Socket,Relay,Connector.Our parts cover such applications as commercial,industrial, and automotives areas.

We are looking forward to setting up business relationship with you and hope to provide you with the best service and solution. Let us make a better world for our industry!



Contact us

Tel: +86-755-8981 8866 Fax: +86-755-8427 6832

Email & Skype: info@chipsmall.com Web: www.chipsmall.com

Address: A1208, Overseas Decoration Building, #122 Zhenhua RD., Futian, Shenzhen, China



LTR	DATE	REVISION		CHK	APD
A	6/27/13	508692ERA-RELEASED	FYUE		

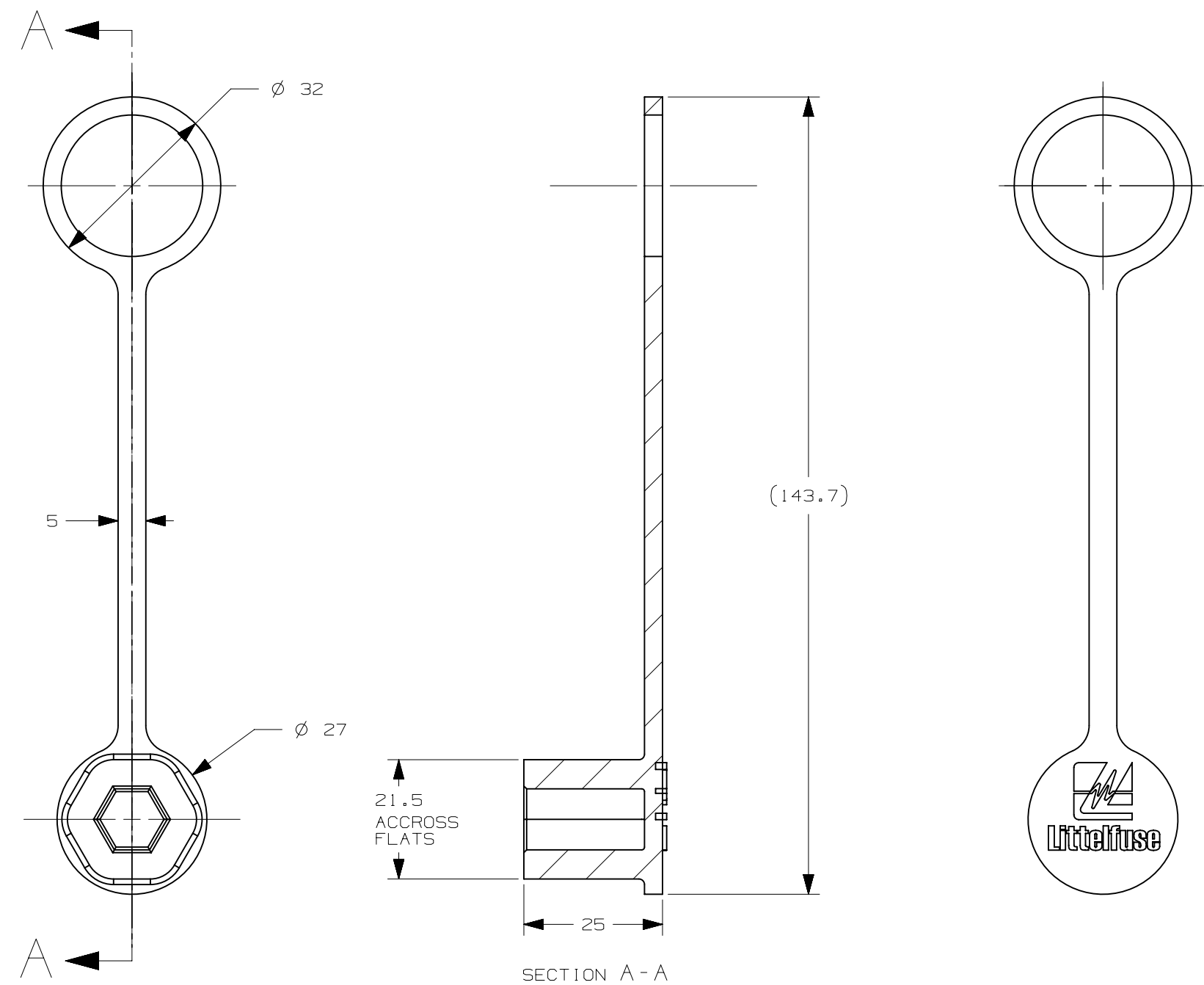


FIGURE 1. M8 STUD CAP

PART #	BASE PART	DESCRIPTION	FIGURE
09230025LXRED	923-025-001	STUD CAP-3/8" RED	2
09230025LXBLK	923-025-002	STUD CAP-3/8" BLACK	2
09230025LXREDM8	923-025-003	STUD CAP-M8 RED	1
09230025LXBLKM8	923-025-004	STUD CAP-M8 BLACK	1

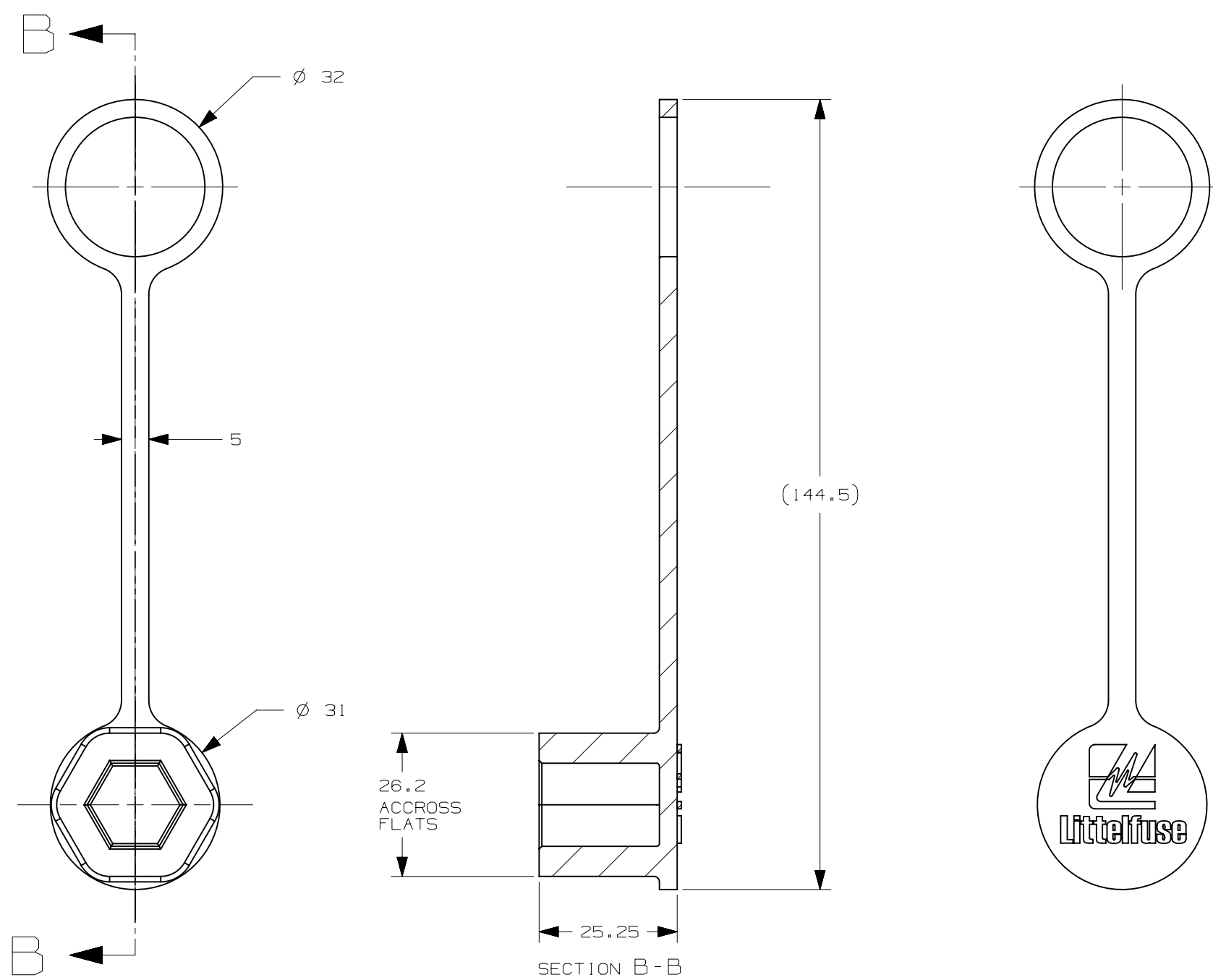


FIGURE 2. 3/8" STUD CAP

NO	COMPONENT NO	DESCRIPTION	QTY/M	U/M
BILL OF MATERIAL				
UNLESS OTHERWISE SPECIFIED, DIMENSIONS ARE IN MILLIMETERS. DIMENSIONS IN BRACKETS [] ARE INCHES				
UNLESS OTHERWISE SPECIFIED, DIMENSIONS DO NOT INCLUDE PLATING.				
⊙	DENOTES CRITICAL CHARACTERISTICS.			
CPK	DENOTES CPK DIMENSIONS, -MINIMUM CPK VALUE			
(ST)	DENOTES A CHARACTERISTIC THAT PROVIDES AN INDICATION OF PROCESS PERFORMANCE. PROCEDURE FOR MEASUREMENT AND TRACKING TO BE DEFINED IN LITTELFUSE INSPECTION INSTRUCTIONS			
CP	DENOTES CP DIMENSIONS, -MINIMUM CP VALUE MUST BE WITHIN THE DIMENSIONAL LIMITATIONS SHOWN ON DRAWING AND INITIALLY LOCATED TO ALLOW FOR MAXIMUM TOOL LIFE			
COPIES TO	MATL SPEC SILICONE			
1 9 18	FINISH SEE CHART FOR COLOR			
2 10 19	DRW	FYUE	DATE	06/27/13
3 12 20	SCALE	1:1		
4 13 21	CHK	FYUE	DATE	
5 14 23	SUPER DR			
6 15 33	APPD	DATE	FINSH GOOD WT	
7 16 43	GRAMS/PIECE			
8 17 53	TOLERANCES UNLESS OTHERWISE SPECIFIED (REF. ISO 2768-MH)			
DIMENSION	0.5 - 3	3 - 6	6 - 30	30 - 120
TOLERANCE	+0.05	+0.05	+0.1	+0.15
3RD ANGLE PROJECTION				
TITLE STUD CAPS				
METRIC COMPONENT		Littelfuse		CHICAGO, USA 773-628-1000
REVISION	DRWG. NO.	OUTLINE		
A	0L-09230025LX	SERIES		

METRIC COMPONENT

Littelfuse

REVISION: A
DRWG. NO.: 0L-09230025LX
OUTLINE SERIES

CAD GENERATED DRAWING - NO PENCIL CHANGES ALLOWED (REV C)