



Chipsmall Limited consists of a professional team with an average of over 10 year of expertise in the distribution of electronic components. Based in Hongkong, we have already established firm and mutual-benefit business relationships with customers from,Europe,America and south Asia,supplying obsolete and hard-to-find components to meet their specific needs.

With the principle of "Quality Parts,Customers Priority,Honest Operation,and Considerate Service",our business mainly focus on the distribution of electronic components. Line cards we deal with include Microchip,ALPS,ROHM,Xilinx,Pulse,ON,Everlight and Freescale. Main products comprise IC,Modules,Potentiometer,IC Socket,Relay,Connector.Our parts cover such applications as commercial,industrial, and automotives areas.

We are looking forward to setting up business relationship with you and hope to provide you with the best service and solution. Let us make a better world for our industry!



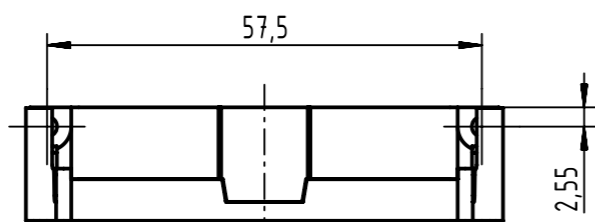
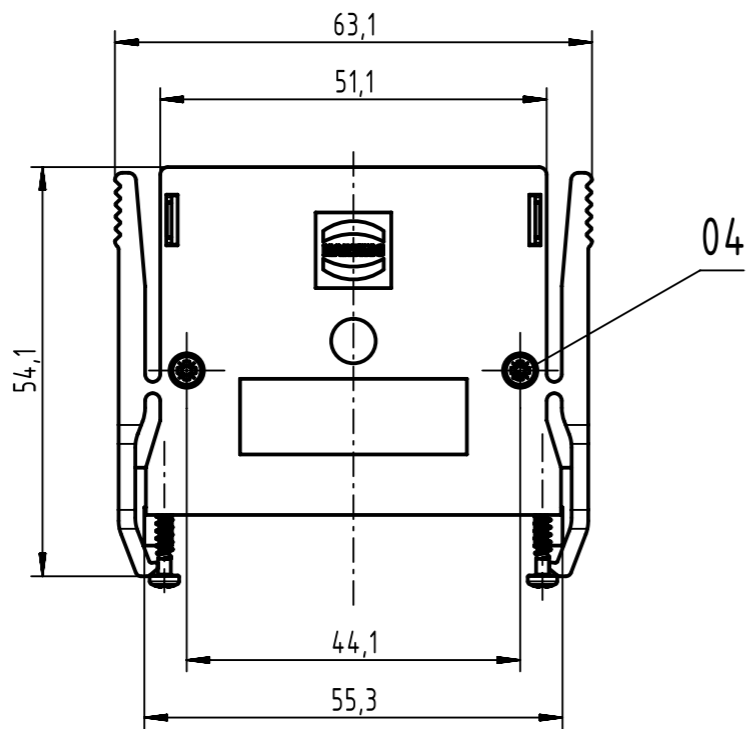
Contact us

Tel: +86-755-8981 8866 Fax: +86-755-8427 6832

Email & Skype: info@chipsmall.com Web: www.chipsmall.com

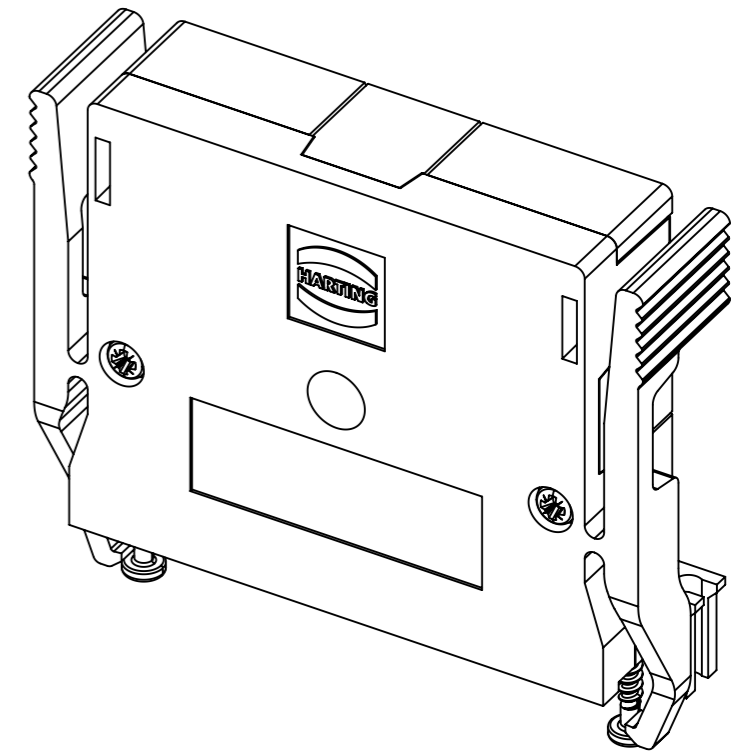
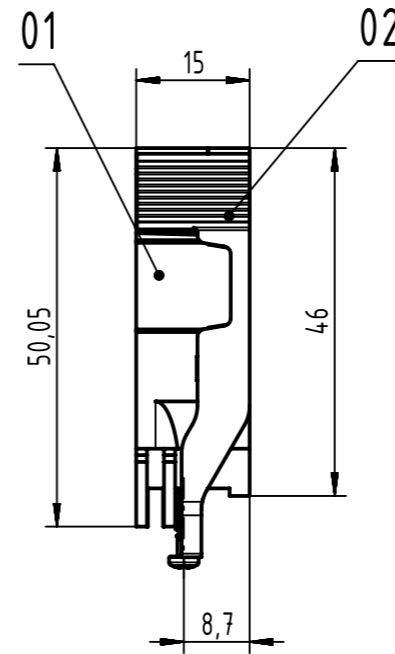
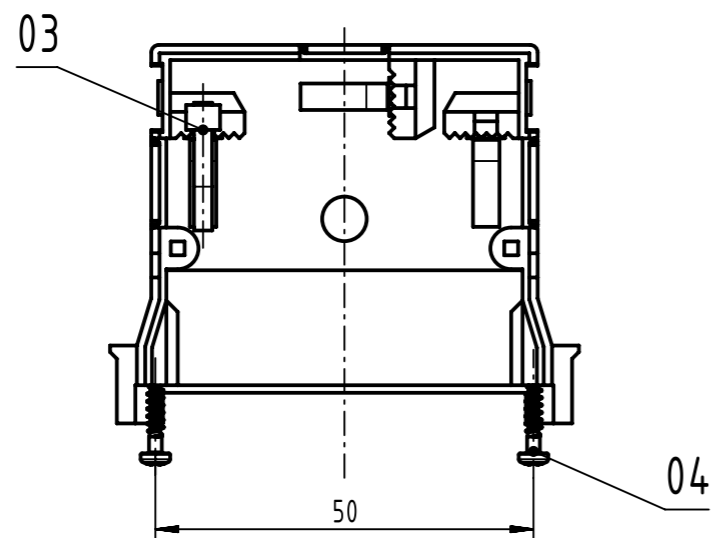
Address: A1208, Overseas Decoration Building, #122 Zhenhua RD., Futian, Shenzhen, China





A

A
opened



parts not assembled				
content shell housing-set			spare parts	
pos.	qty.	description	part number	qty.
04	4	PT-screw 2.2x9.5 - PZ1	09060019974	1
03	1	cable tie		
02	1	cover		
01	1	shell		

	All rights reserved		Scale 1:1		Free size tol.		Ref.	
	Department EC PD - DE		Created by HAGEMEYERE	Inspected by TADJE	Standardisation HOFFMANN	Date 2015-11-23	State Final Release	
HARTING Electronics GmbH		Title DIN Signal type 2C shell housing			Doc-Key / ECM-Nr. 100190912/UGD/002/C 500000097599			
D-32339 Espelkamp		Type TB	Number 09230480501		Rev. C	Page 1/1		