



Chipsmall Limited consists of a professional team with an average of over 10 year of expertise in the distribution of electronic components. Based in Hongkong, we have already established firm and mutual-benefit business relationships with customers from,Europe,America and south Asia,supplying obsolete and hard-to-find components to meet their specific needs.

With the principle of “Quality Parts,Customers Priority,Honest Operation,and Considerate Service”,our business mainly focus on the distribution of electronic components. Line cards we deal with include Microchip,ALPS,ROHM,Xilinx,Pulse,ON,Everlight and Freescale. Main products comprise IC,Modules,Potentiometer,IC Socket,Relay,Connector.Our parts cover such applications as commercial,industrial, and automotives areas.

We are looking forward to setting up business relationship with you and hope to provide you with the best service and solution. Let us make a better world for our industry!



Contact us

Tel: +86-755-8981 8866 Fax: +86-755-8427 6832

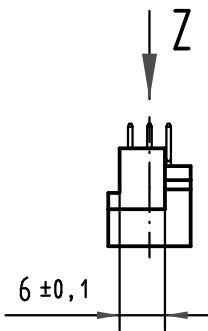
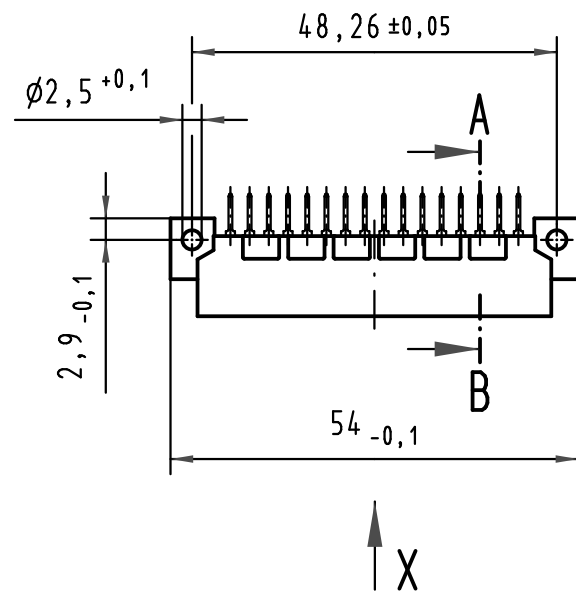
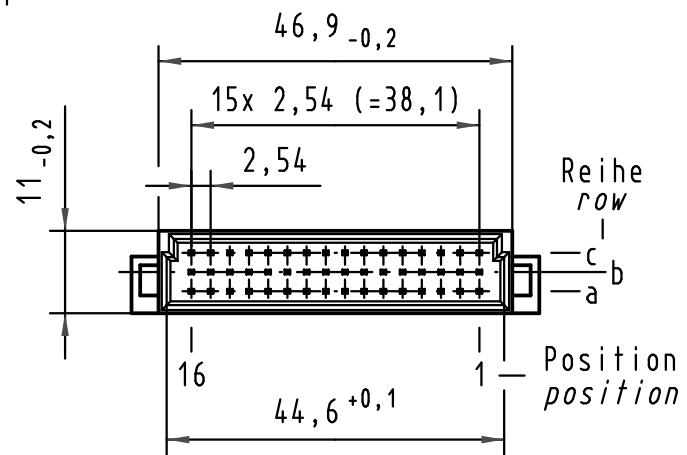
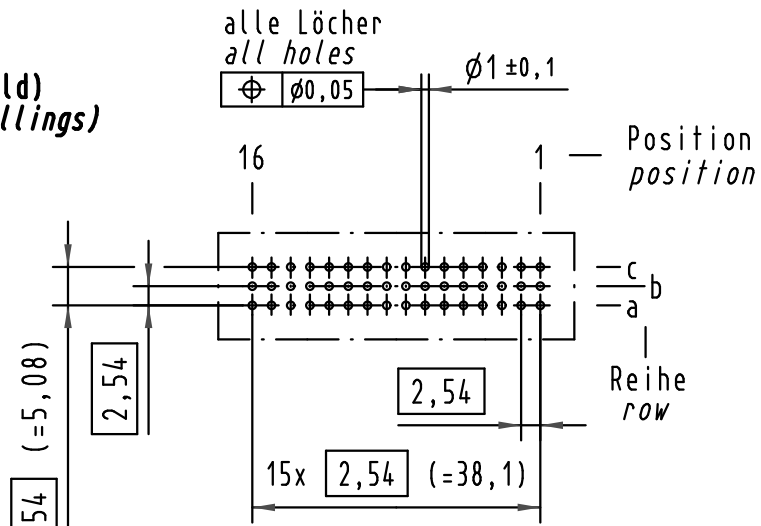
Email & Skype: info@chipsmall.com Web: www.chipsmall.com

Address: A1208, Overseas Decoration Building, #122 Zhenhua RD., Futian, Shenzhen, China



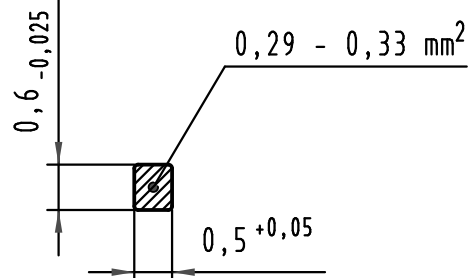
Alle Rechte vorbehalten/ All rights reserved

X
(Lochbild)
(board drillings)

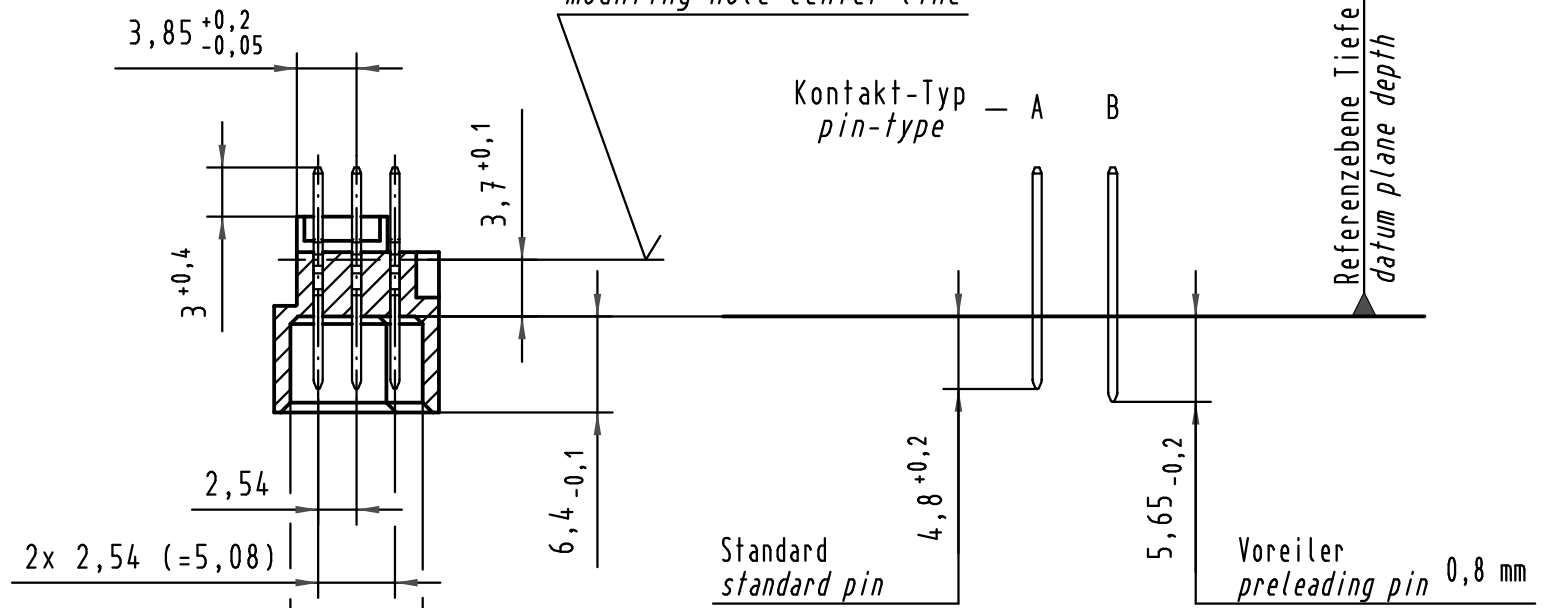


Z
10:1

Querschnitt der Lötanschlüsse:
cross-section of solder terminations:

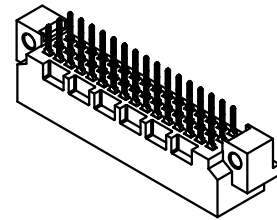
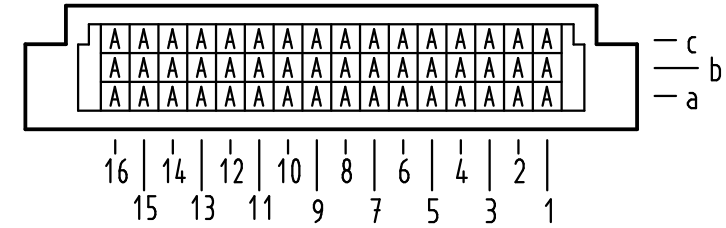


Montageloch-Mittellinie
mounting hole center-line



A-B
2:1

X Kontaktbelegung
contact loading



09 23 148 6920	2	Au flash over PdNi over Ni
Bestell-Nr. part-no.	Anforderungsstufe nach IEC performance level acc. to IEC	Kontaktoberfläche contact plating



All Dimensions in mm Original Size DIN A 3			Techn. Character.		
Mod.	Dat.	Name	Dat.	Name	Maßstab/Scale
35345	24.10.08	Hage.	Detail.	02.08.00	Rie.
34650	14.12.07	Hage.	Insp.	02.08.00	Pa.
30797	25.01.02	Rie.	Stand.		
28049					
Mod.	Dat.	Name	HARTING Electronics GmbH & Co. KG D-32339 ESPELKAMP		

Nicht tolerierte Maße/Free size tolerances
IEC 60603-2

Bauform 2C Messerleiste
Einlötl, 48 pol., SMC (Hochtemperatur)
type 2C male connector
solder, 48 pol., SMC (high temperature)

TB 09 23 148 x920

Blatt/page

Sub.

