



Chipsmall Limited consists of a professional team with an average of over 10 year of expertise in the distribution of electronic components. Based in Hongkong, we have already established firm and mutual-benefit business relationships with customers from,Europe,America and south Asia,supplying obsolete and hard-to-find components to meet their specific needs.

With the principle of "Quality Parts,Customers Priority,Honest Operation,and Considerate Service",our business mainly focus on the distribution of electronic components. Line cards we deal with include Microchip,ALPS,ROHM,Xilinx,Pulse,ON,Everlight and Freescale. Main products comprise IC,Modules,Potentiometer,IC Socket,Relay,Connector.Our parts cover such applications as commercial,industrial, and automotives areas.

We are looking forward to setting up business relationship with you and hope to provide you with the best service and solution. Let us make a better world for our industry!



## Contact us

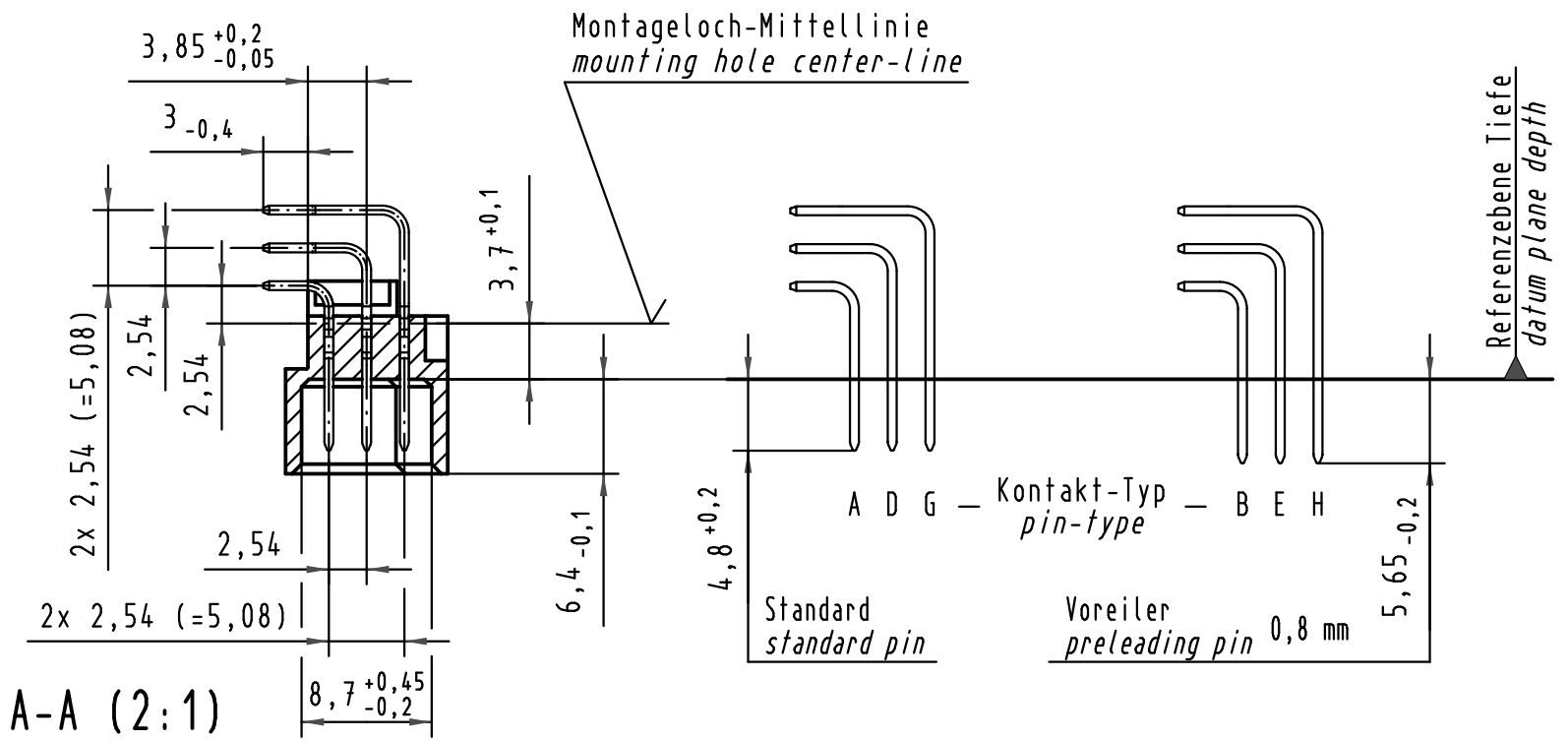
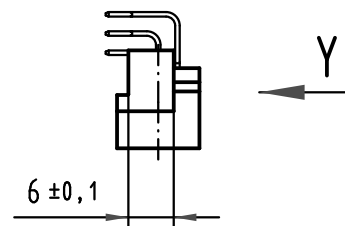
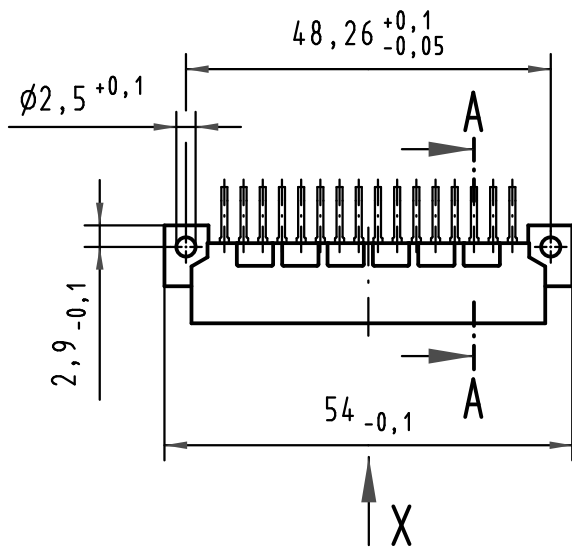
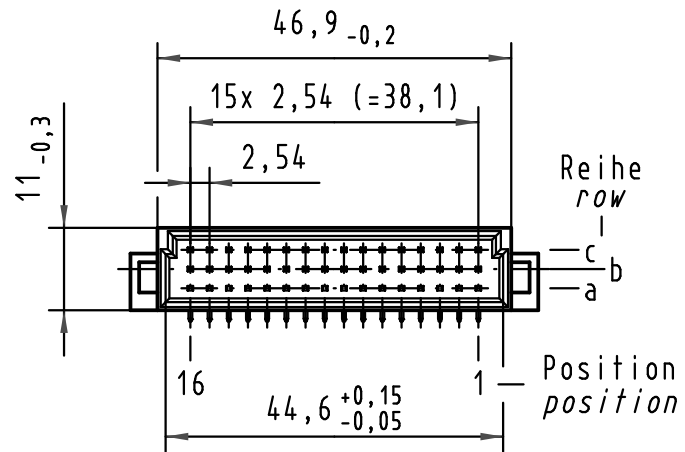
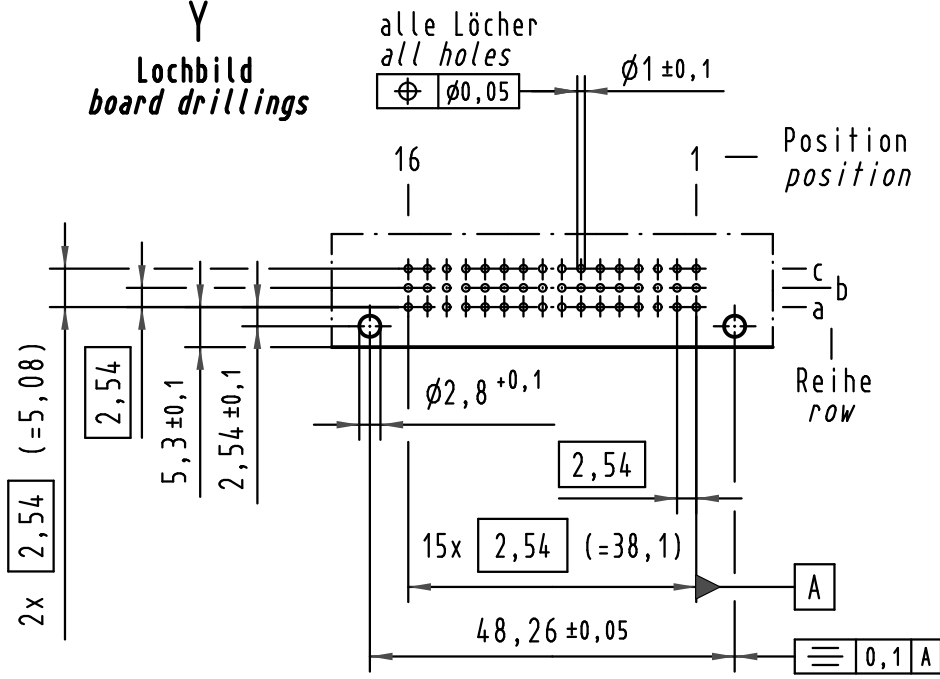
Tel: +86-755-8981 8866 Fax: +86-755-8427 6832

Email & Skype: info@chipsmall.com Web: www.chipsmall.com

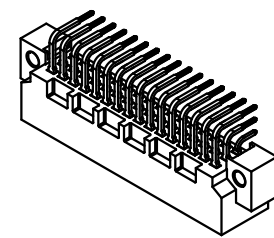
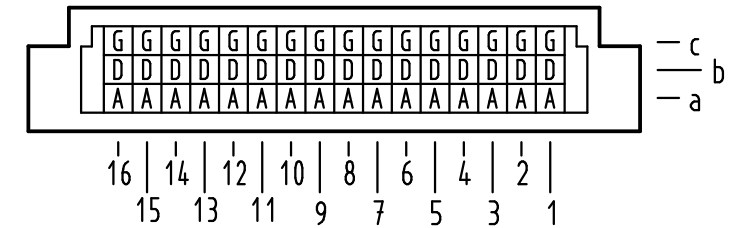
Address: A1208, Overseas Decoration Building, #122 Zhenhua RD., Futian, Shenzhen, China



**Y**  
Lochbild  
board drillings



**X** Kontaktbelegung  
contact loading



erhöhte Montagekräfte möglich  
higher mounting forces possible

1 Weitere Informationen siehe: DS 09 03 122 02 01  
Further information see: DS 09 03 122 02 01

09 23 148 6921 222	2
09 23 148 2921 222	1
Bestell-Nr. part-no.	Anforderungsstufe performance level 1

<p>All Dimensions in mm Original Size DIN A 3</p>	Techn. Character.			Nicht tolerierte Maße / Free size tolerances ergänzend / complementary IEC 60603-2	
		Dat.	Name	Maßstab/Scale 1:1	Bauform 2C Messerleiste Einlöt, 48 pol. (NFF F1/12) type 2C male connector solder, 48 pol. (NFF F1/12)
		Detail.	25.08.10 Lk		
		Insp.	25.08.10 mte		
	Stand.				
36126	HARTING Electronics GmbH & Co. KG				TB 09 23 148 x921 222 Blatt/page
Mod.	Dat.	Name	D-32339 ESPELKAMP		