



Chipsmall Limited consists of a professional team with an average of over 10 year of expertise in the distribution of electronic components. Based in Hongkong, we have already established firm and mutual-benefit business relationships with customers from,Europe,America and south Asia,supplying obsolete and hard-to-find components to meet their specific needs.

With the principle of “Quality Parts,Customers Priority,Honest Operation,and Considerate Service”,our business mainly focus on the distribution of electronic components. Line cards we deal with include Microchip,ALPS,ROHM,Xilinx,Pulse,ON,Everlight and Freescale. Main products comprise IC,Modules,Potentiometer,IC Socket,Relay,Connector.Our parts cover such applications as commercial,industrial, and automotives areas.

We are looking forward to setting up business relationship with you and hope to provide you with the best service and solution. Let us make a better world for our industry!



## Contact us

Tel: +86-755-8981 8866 Fax: +86-755-8427 6832

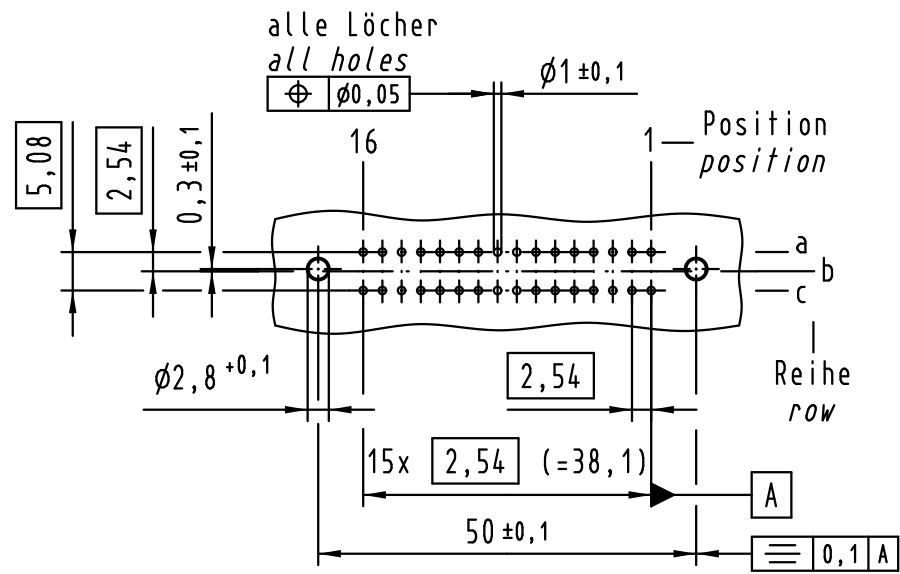
Email & Skype: info@chipsmall.com Web: www.chipsmall.com

Address: A1208, Overseas Decoration Building, #122 Zhenhua RD., Futian, Shenzhen, China

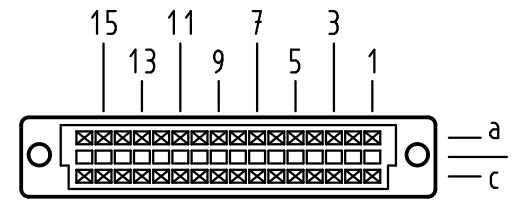


Alle Rechte vorbehalten/ All rights reserved

**X**  
Lochbild  
board drillings

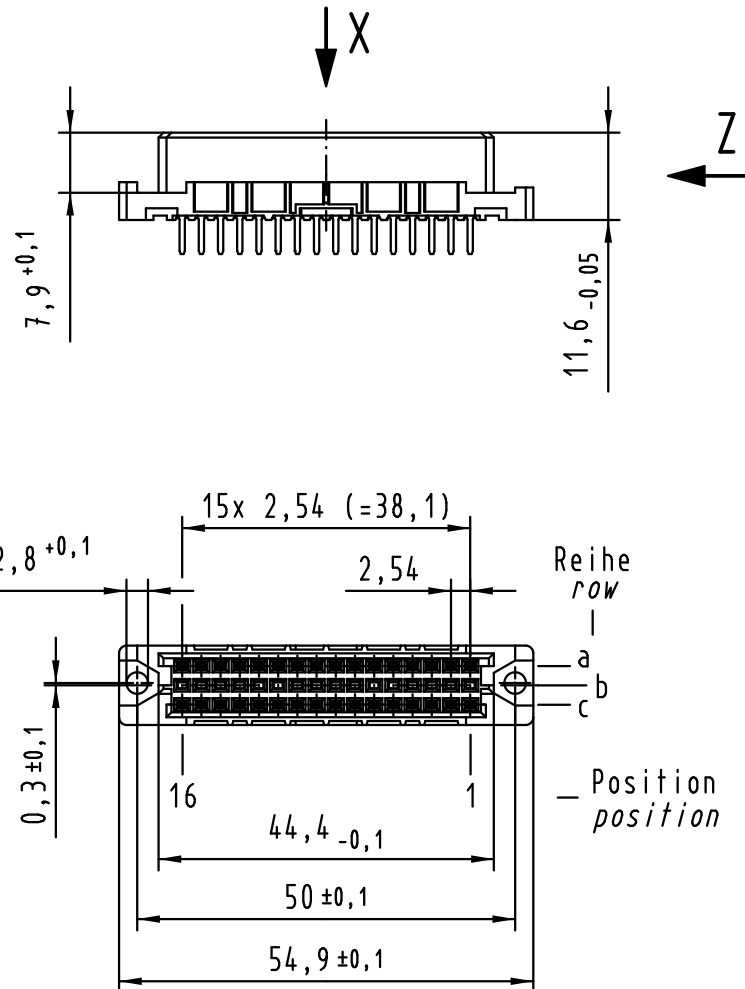


**X**  
Kontaktanordnung  
contact arrangement

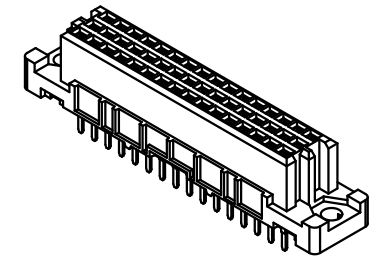
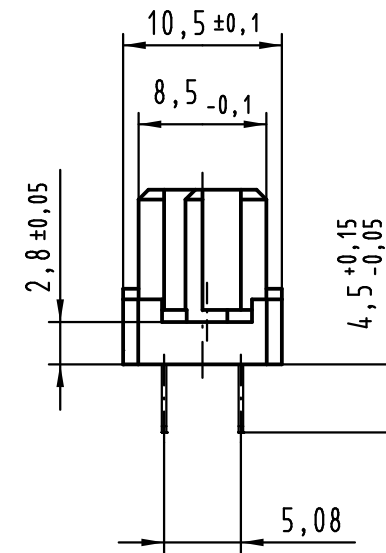


32 Einlöt Kontakte  
32 solder contacts

- = Einlöt Kontakt  
= solder contact
- = Kontaktposition nicht belegt  
= position without contact



**Z (2:1)**



**1** weitere Informationen siehe: DS 09 03 210 00 01  
further information see: DS 09 03 210 00 01

09 23 232 7825	3
09 23 232 6825	2
Bestell-Nr. part-no.	Anforderungsstufe performance level <b>1</b>

All Dimensions in mm Original Size DIN A 3			Techn. Character.			Nicht tolerierte Maßel/Free size tolerances IEC 60603-2							
Mod.	Dat.	Name		Dat.	Name	Maßstab/Scale <b>1:1</b>	har-bus 2C Federleiste Einlöt 4,5 , 32-polig har-bus 2C female connector solder 4.5 , 32-pole						
36417	18.07.11	Hage.	Detail.	27.01.00	Rie.			<table border="1"> <tr> <td colspan="2">TB 09 23 232 x825</td> <td rowspan="2">Blatt/ page</td> </tr> <tr> <td colspan="2">Sub.</td> </tr> </table>	TB 09 23 232 x825		Blatt/ page	Sub.	
TB 09 23 232 x825		Blatt/ page											
Sub.													
34306	30.11.07	LehT	Insp.	27.01.00	Pa.								
32216	16.12.04	Ge.	Stand.										
30232	08.02.02	Rie.	HARTING Electronics GmbH & Co. KG				<table border="1"> <tr> <td colspan="2">TB 09 23 232 x825</td> <td rowspan="2">Blatt/ page</td> </tr> <tr> <td colspan="2">Sub.</td> </tr> </table>	TB 09 23 232 x825		Blatt/ page	Sub.		
TB 09 23 232 x825		Blatt/ page											
Sub.													
27550			D-32339 ESPELKAMP										
Mod.	Dat.	Name											