



Chipsmall Limited consists of a professional team with an average of over 10 year of expertise in the distribution of electronic components. Based in Hongkong, we have already established firm and mutual-benefit business relationships with customers from,Europe,America and south Asia,supplying obsolete and hard-to-find components to meet their specific needs.

With the principle of "Quality Parts,Customers Priority,Honest Operation,and Considerate Service",our business mainly focus on the distribution of electronic components. Line cards we deal with include Microchip,ALPS,ROHM,Xilinx,Pulse,ON,Everlight and Freescale. Main products comprise IC,Modules,Potentiometer,IC Socket,Relay,Connector.Our parts cover such applications as commercial,industrial, and automotives areas.

We are looking forward to setting up business relationship with you and hope to provide you with the best service and solution. Let us make a better world for our industry!



Contact us

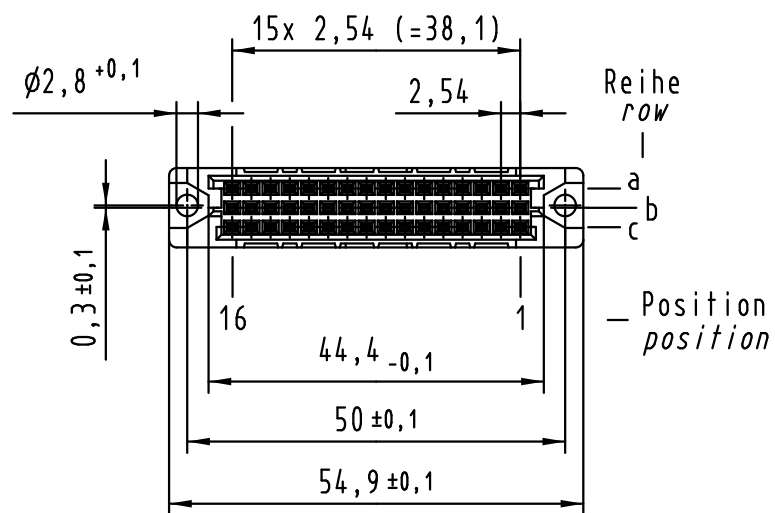
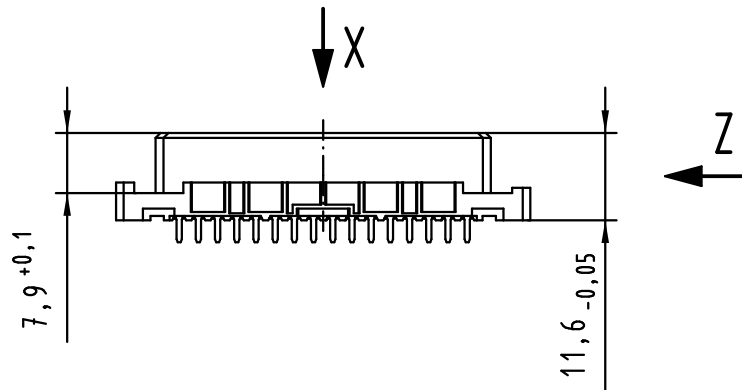
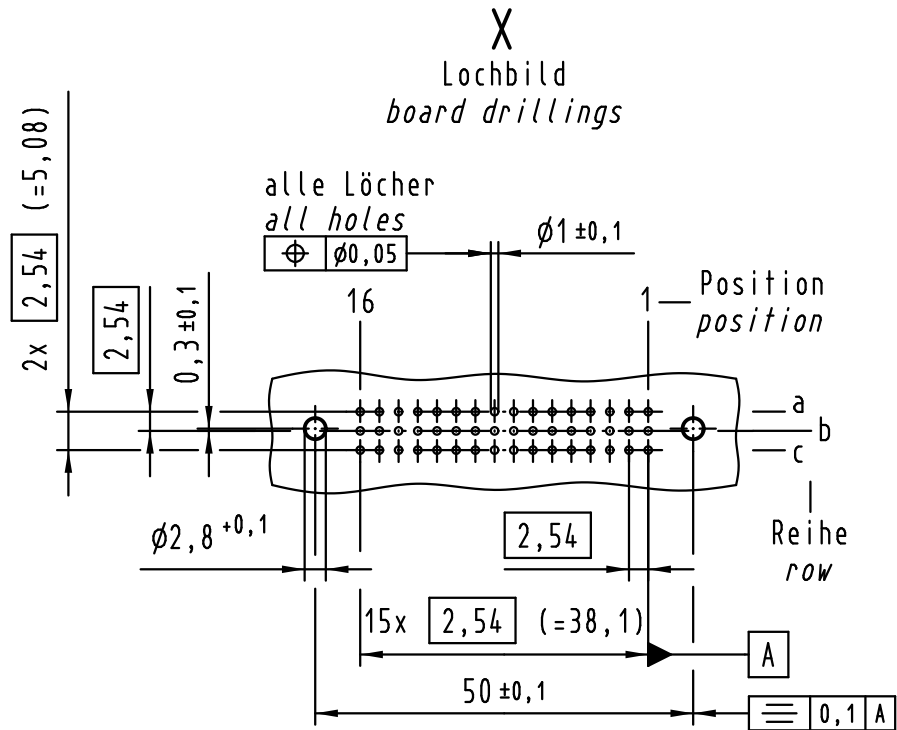
Tel: +86-755-8981 8866 Fax: +86-755-8427 6832

Email & Skype: info@chipsmall.com Web: www.chipsmall.com

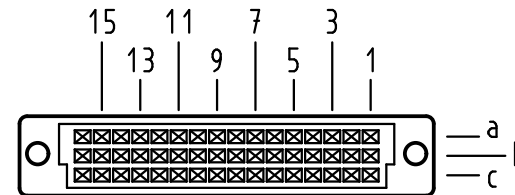
Address: A1208, Overseas Decoration Building, #122 Zhenhua RD., Futian, Shenzhen, China



Alle Rechte vorbehalten/ All rights reserved



X
Kontaktanordnung
contact arrangement

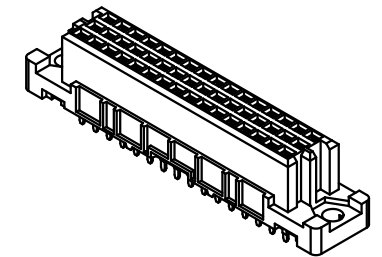
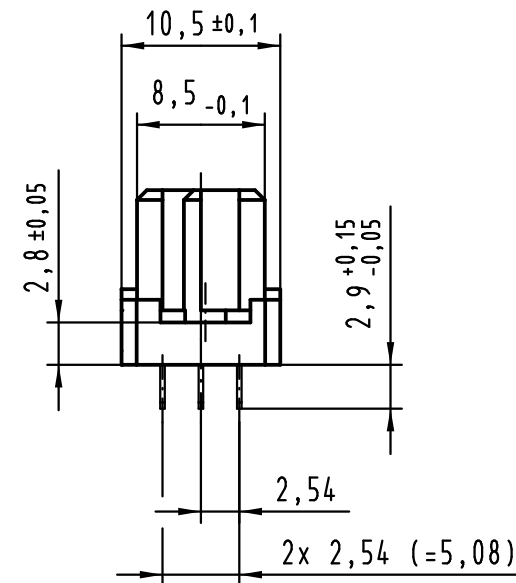


48 Einlöt Kontakte
48 solder contacts

☒ = Einlöt Kontakt
= solder contact

□ = Kontaktposition nicht belegt
= position without contact

Z (2:1)



① weitere Informationen siehe: DS 09 03 210 00 01
further information see: DS 09 03 210 00 01

09 23 248 6824	2
09 23 248 2824	1
Bestell-Nr. part-no.	Anforderungsstufe performance level ①

All Dimensions in mm Original Size DIN A 3			Techn. Character.			Nicht tolerierte Maße/Free size tolerances IEC 60603-2	
36417	18.07.11	Hage.		Dat.	Name	1:1	har-bus 2C Federleiste Einlöt 2,9 , 48-polig har-bus 2C female connector solder 2.9 , 48-pole
34306	30.11.07	LehT	Detail.	14.10.99	Rie.		
32216	15.12.04	Ge.	Insp.	14.10.99	Pa.		
30232	08.02.02	Rie.	Stand.				
26966	24.01.00	Rie.					
26859			HARTING Electronics GmbH & Co. KG D-32339 ESPELKAMP			Sub.	TB 09 23 248 x824
Mod.	Dat.	Name	HARTING				

Blatt/ page