



Chipsmall Limited consists of a professional team with an average of over 10 year of expertise in the distribution of electronic components. Based in Hongkong, we have already established firm and mutual-benefit business relationships with customers from,Europe,America and south Asia,supplying obsolete and hard-to-find components to meet their specific needs.

With the principle of “Quality Parts,Customers Priority,Honest Operation,and Considerate Service”,our business mainly focus on the distribution of electronic components. Line cards we deal with include Microchip,ALPS,ROHM,Xilinx,Pulse,ON,Everlight and Freescale. Main products comprise IC,Modules,Potentiometer,IC Socket,Relay,Connector.Our parts cover such applications as commercial,industrial, and automotives areas.

We are looking forward to setting up business relationship with you and hope to provide you with the best service and solution. Let us make a better world for our industry!



Contact us

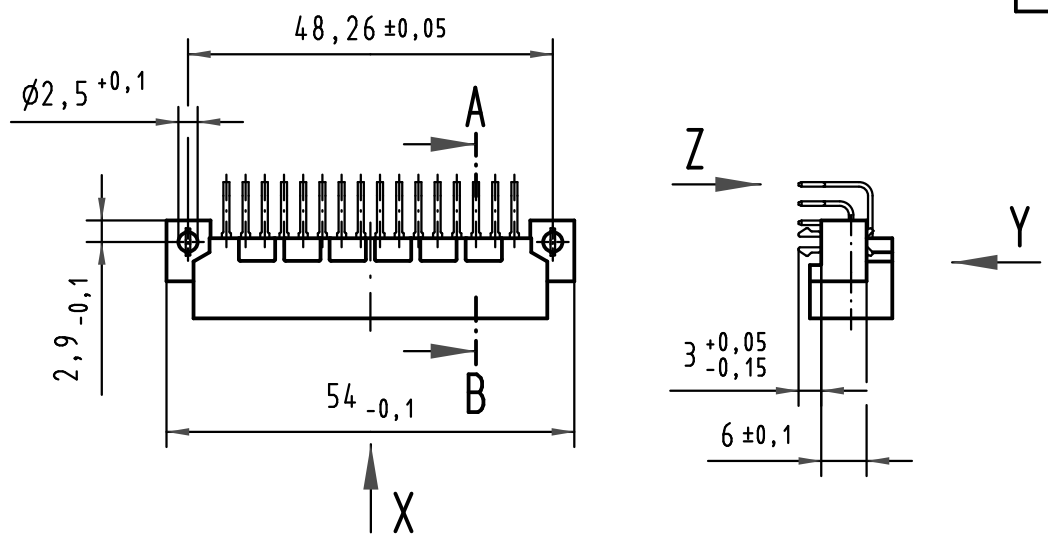
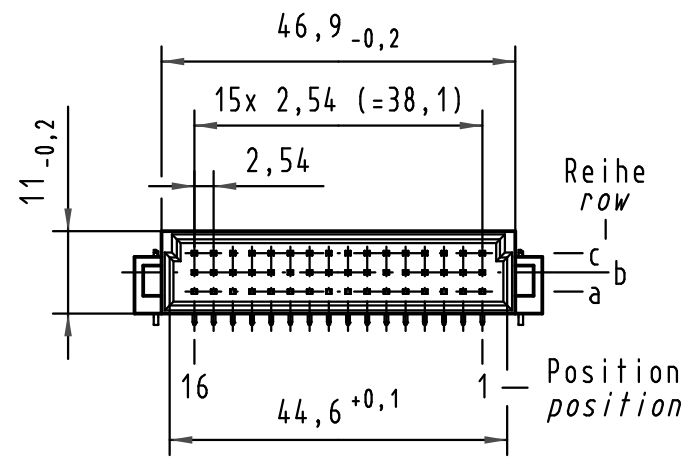
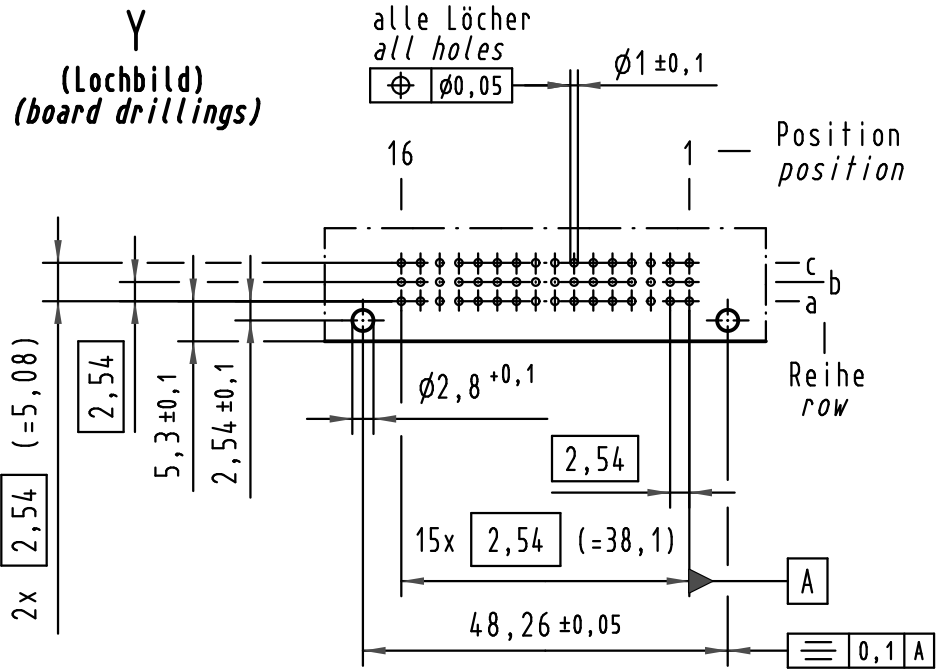
Tel: +86-755-8981 8866 Fax: +86-755-8427 6832

Email & Skype: info@chipsmall.com Web: www.chipsmall.com

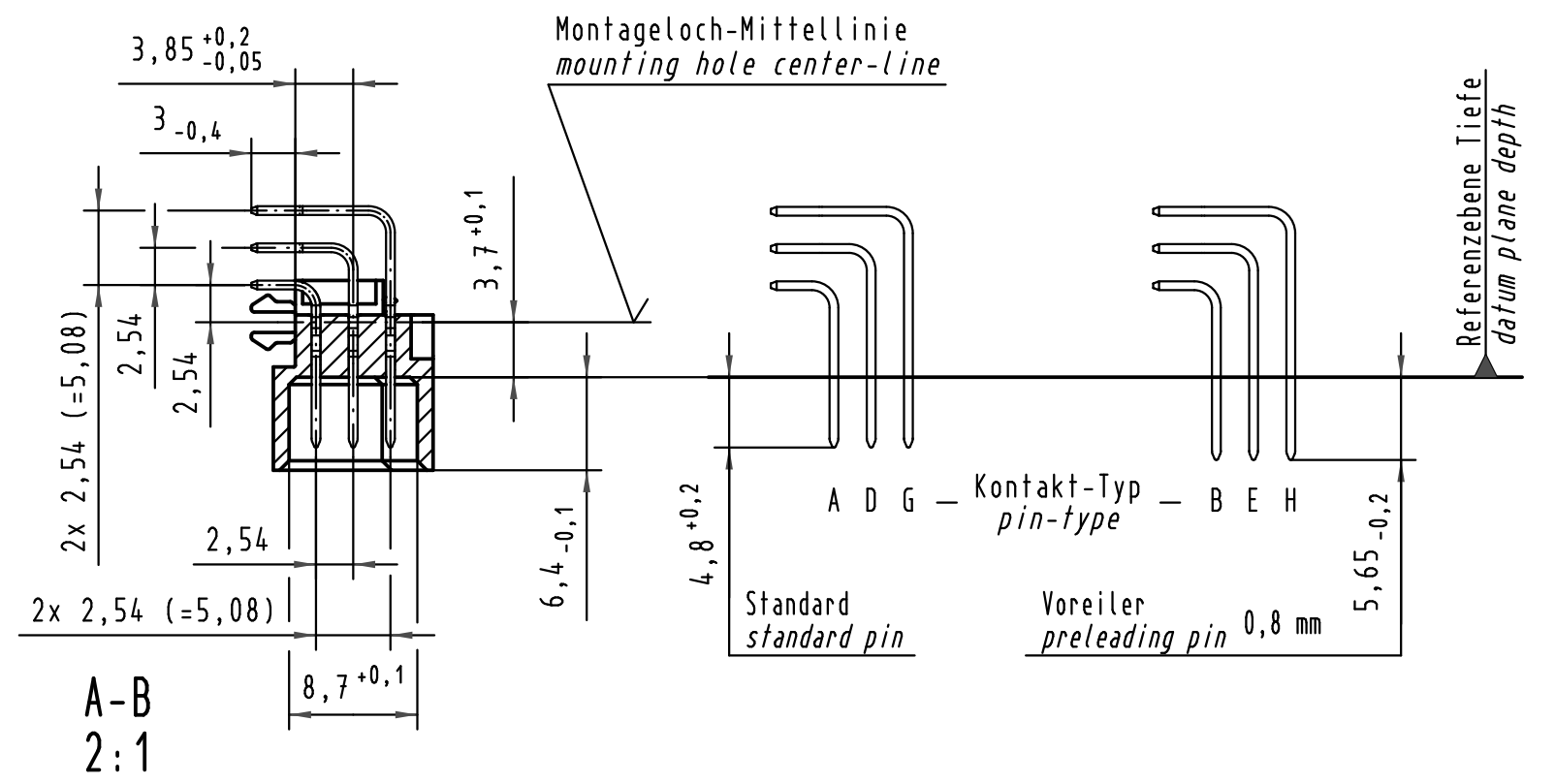
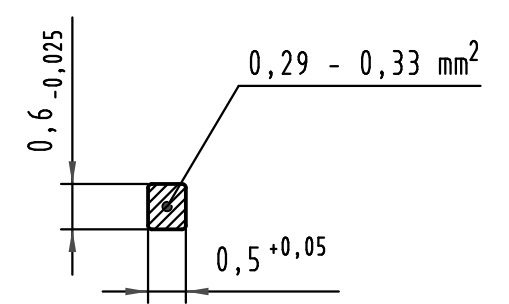
Address: A1208, Overseas Decoration Building, #122 Zhenhua RD., Futian, Shenzhen, China



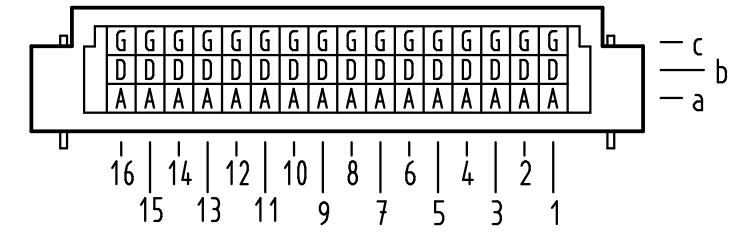
Alle Rechte vorbehalten/ All rights reserved



Z
10:1
Querschnitt der Lötanschlüsse:
cross-section of solder terminations:



X Kontaktbelegung
contact loading



09 23 348 7921	3	Au flash over PdNi over Ni
09 23 348 6921	2	Au flash over PdNi over Ni
09 23 348 2921	1	Au flash over PdNi over Ni
Bestell-Nr. part-no.	Anforderungsstufe nach IEC performance level acc. to IEC	Kontaktoberfläche contact plating

			Techn. Character.			Nicht tolerierte Maße/Free size tolerances IEC 60603-2			
			Dat.	Name	Maßstab/Scale	Bauform 2C Messerleiste mit Clip Einlöt, 48 pol. type 2C male connector with clip solder, 48 pol.			
			Detail.	01.08.00	Rie.				1:1
			Insp.	01.08.00	Pa.				2:1
			Stand.						10:1
35345	27.10.08	Hage.	HARTING Electronics GmbH & Co. KG			TB 09 23 348 x921			
34650	12.12.07	Hage.	D-32339 ESPELKAMP						
28048									
Mod.	Dat.	Name				Blatt/page Sub.			