



Chipsmall Limited consists of a professional team with an average of over 10 year of expertise in the distribution of electronic components. Based in Hongkong, we have already established firm and mutual-benefit business relationships with customers from,Europe,America and south Asia,supplying obsolete and hard-to-find components to meet their specific needs.

With the principle of “Quality Parts,Customers Priority,Honest Operation,and Considerate Service”,our business mainly focus on the distribution of electronic components. Line cards we deal with include Microchip,ALPS,ROHM,Xilinx,Pulse,ON,Everlight and Freescale. Main products comprise IC,Modules,Potentiometer,IC Socket,Relay,Connector.Our parts cover such applications as commercial,industrial, and automotives areas.

We are looking forward to setting up business relationship with you and hope to provide you with the best service and solution. Let us make a better world for our industry!



Contact us

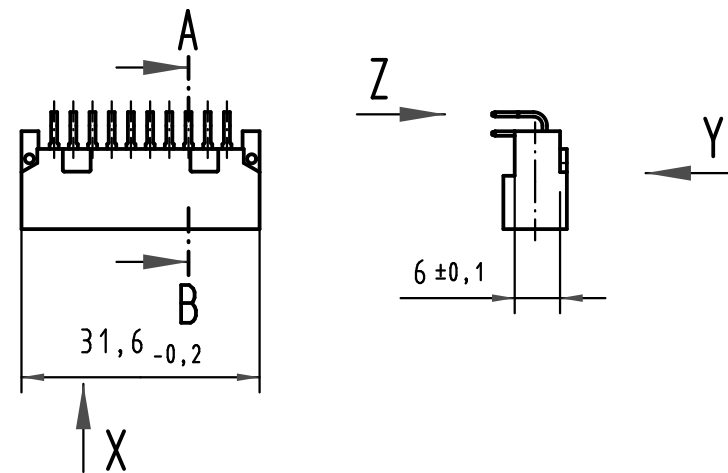
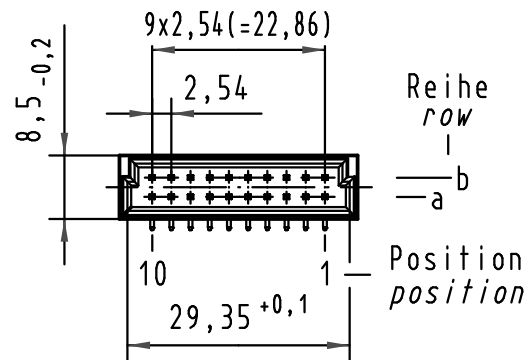
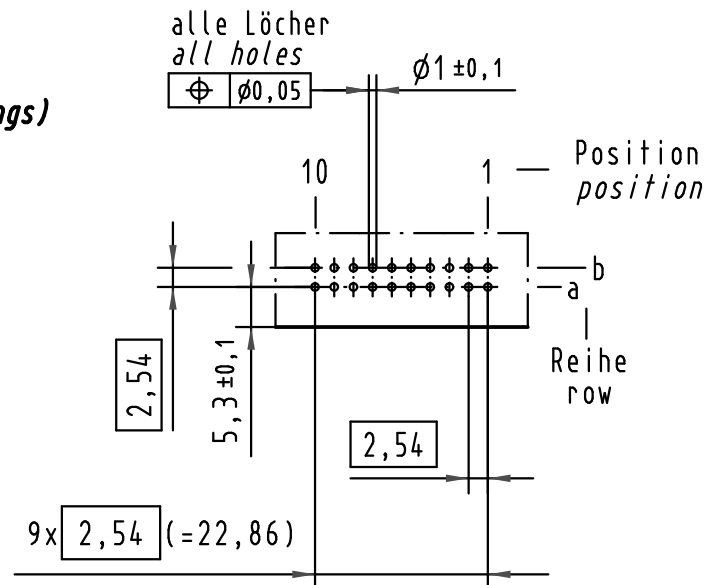
Tel: +86-755-8981 8866 Fax: +86-755-8427 6832

Email & Skype: info@chipsmall.com Web: www.chipsmall.com

Address: A1208, Overseas Decoration Building, #122 Zhenhua RD., Futian, Shenzhen, China

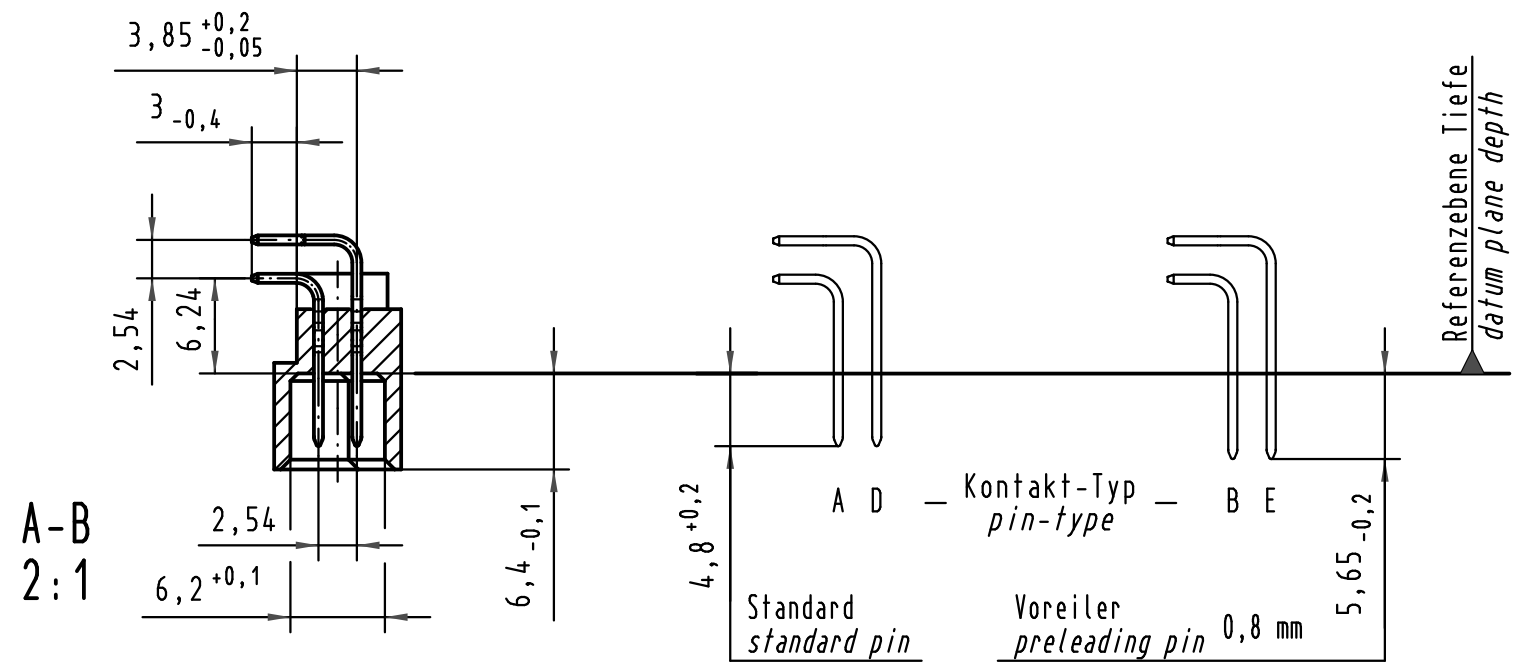
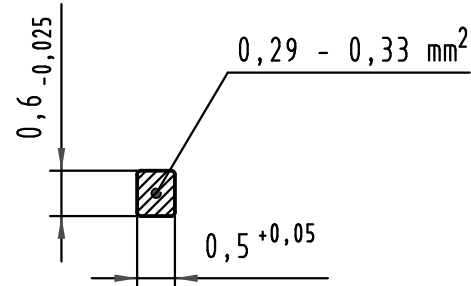


Y
(Lochbild)
(board drillings)

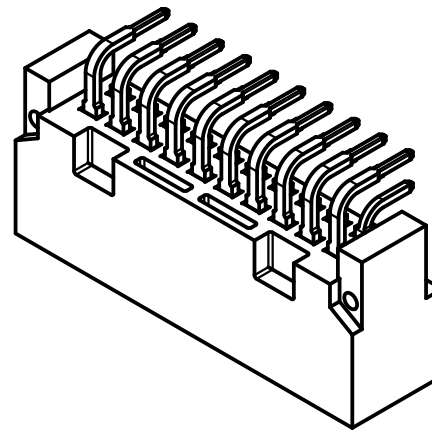
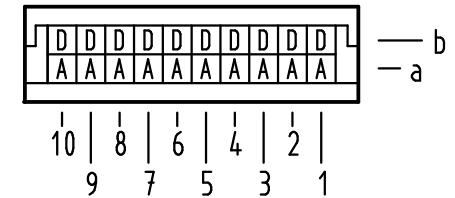


Z
10:1

Querschnitt der
Lötanschlüsse:
cross-section of
solder terminations:



X Kontaktbelegung
contact loading



09 24 120 6571	2	Au flash over PdNi over Ni
Bestell-Nr. part-no.	Anforderungsstufe nach IEC performance level acc. to IEC	Kontaktoberfläche contact plating

 All Dimensions in mm Original Size DIN A 3	Techn. Character.			Nicht tolerierte Maße/Free size tolerances IEC 60603-2	
		Dat.	Name	Maßstab/Scale 1:1 2:1 10:1	Bauform 3B Messerleiste ohne Flansch Einlöt, 20 pol. type 3B male connector solder, 20 pol. without flange
		Detail.	05.05.09 MS		
		Insp.	05.05.09 RA		
	Stand.				
35604	HARTING Electronics GmbH & Co. KG			 TB 09 24 120 x571	Blatt/page
Mod.	Dat.	Name	D-32339 ESPELKAMP		