



Chipsmall Limited consists of a professional team with an average of over 10 year of expertise in the distribution of electronic components. Based in Hongkong, we have already established firm and mutual-benefit business relationships with customers from,Europe,America and south Asia,supplying obsolete and hard-to-find components to meet their specific needs.

With the principle of “Quality Parts,Customers Priority,Honest Operation,and Considerate Service”,our business mainly focus on the distribution of electronic components. Line cards we deal with include Microchip,ALPS,ROHM,Xilinx,Pulse,ON,Everlight and Freescale. Main products comprise IC,Modules,Potentiometer,IC Socket,Relay,Connector.Our parts cover such applications as commercial,industrial, and automotives areas.

We are looking forward to setting up business relationship with you and hope to provide you with the best service and solution. Let us make a better world for our industry!



Contact us

Tel: +86-755-8981 8866 Fax: +86-755-8427 6832

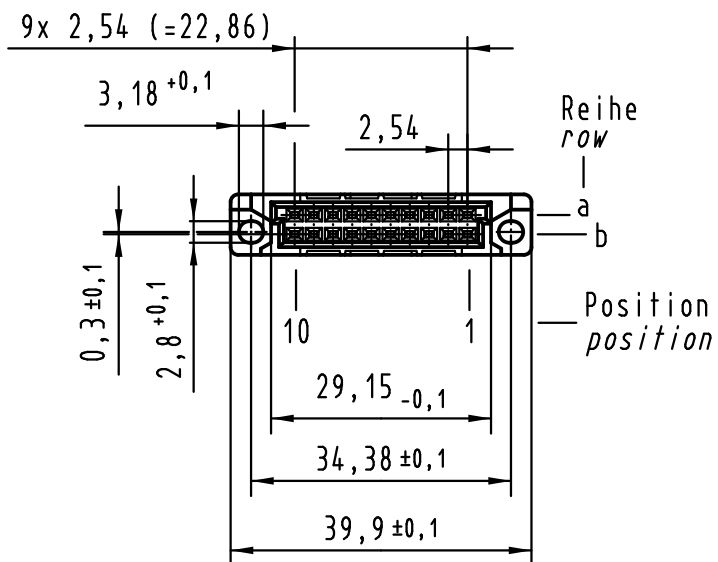
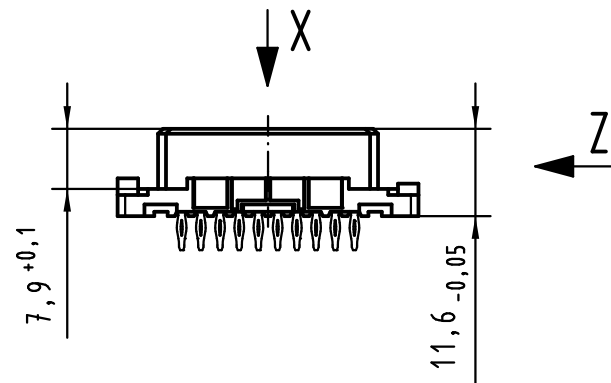
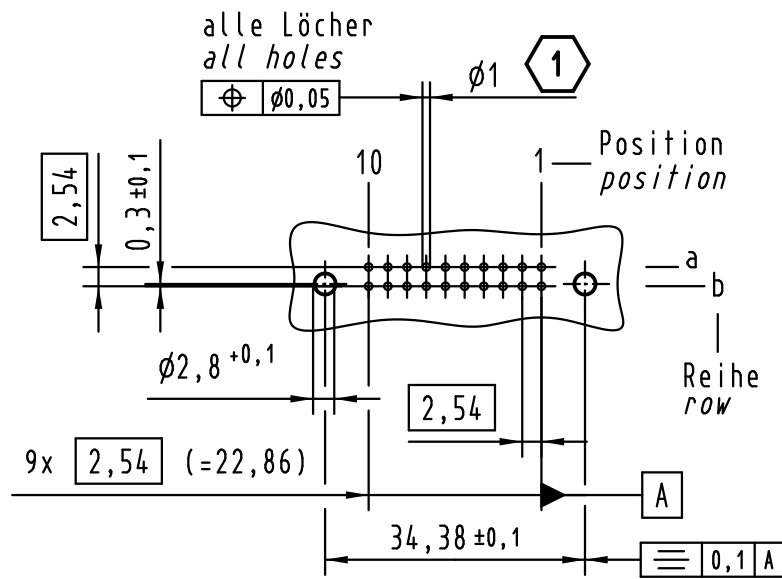
Email & Skype: info@chipsmall.com Web: www.chipsmall.com

Address: A1208, Overseas Decoration Building, #122 Zhenhua RD., Futian, Shenzhen, China

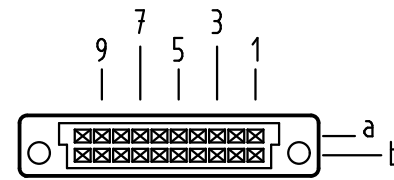


Alle Rechte vorbehalten/ All rights reserved

X
Lochbild
board drillings



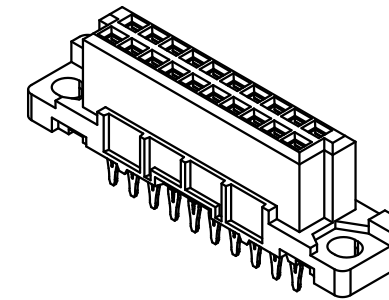
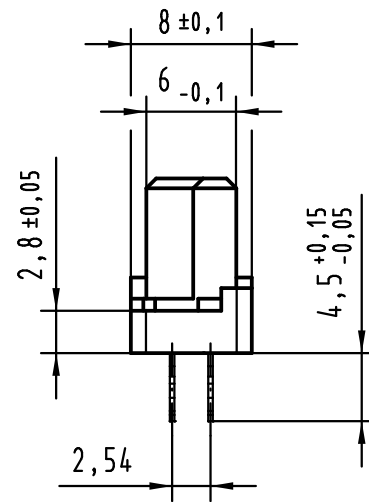
X
Kontaktanordnung
contact arrangement



20 Einpress Kontakte
20 press-in contacts

- ⊗ = Einpress Kontakt
= press-in contact
- = Kontaktposition nicht belegt
= position without contact

Z (2:1)



1

Empfohlener Lochaufbau und
weitere Informationen siehe: DS 09 03 210 00 01
recommended configuration of plated through holes
and further information see: DS 09 03 210 00 01

All Dimensions in mm Original Size DIN A 3		Techn. Character.			Nicht tolerierte Maße/Free size tolerances IEC 60603-2	
			Dat.	Name	Maßstab/Scale 1:1	har-bus 3B Federleiste Einpress 4,5 , 20-polig har-bus 3B female connector press-in 4.5 , 20-pole
			Detail.	05.02.09 MS		
			Insp.	05.02.09 RA		
			Stand.			
36370	21.07.11	HL.	HARTING Electronics GmbH & Co. KG			TB 09 24 220 x850
35603			D-32339 ESPELKAMP			
Mod.	Dat.	Name				
						Blatt/ page
						Sub.

09 24 220 6850	2
Bestell-Nr. part-no.	Anforderungsstufe performance level 1