



Chipsmall Limited consists of a professional team with an average of over 10 year of expertise in the distribution of electronic components. Based in Hongkong, we have already established firm and mutual-benefit business relationships with customers from,Europe,America and south Asia,supplying obsolete and hard-to-find components to meet their specific needs.

With the principle of “Quality Parts,Customers Priority,Honest Operation,and Considerate Service”,our business mainly focus on the distribution of electronic components. Line cards we deal with include Microchip,ALPS,ROHM,Xilinx,Pulse,ON,Everlight and Freescale. Main products comprise IC,Modules,Potentiometer,IC Socket,Relay,Connector.Our parts cover such applications as commercial,industrial, and automotives areas.

We are looking forward to setting up business relationship with you and hope to provide you with the best service and solution. Let us make a better world for our industry!



Contact us

Tel: +86-755-8981 8866 Fax: +86-755-8427 6832

Email & Skype: info@chipsmall.com Web: www.chipsmall.com

Address: A1208, Overseas Decoration Building, #122 Zhenhua RD., Futian, Shenzhen, China

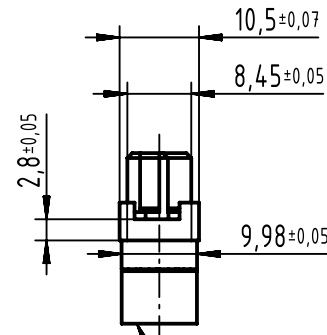
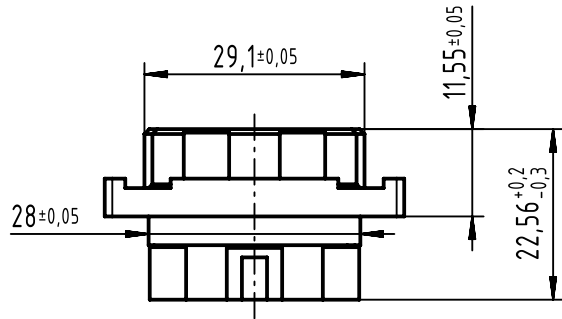


A

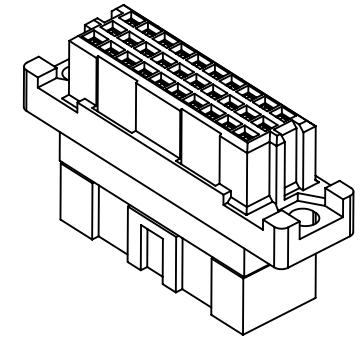
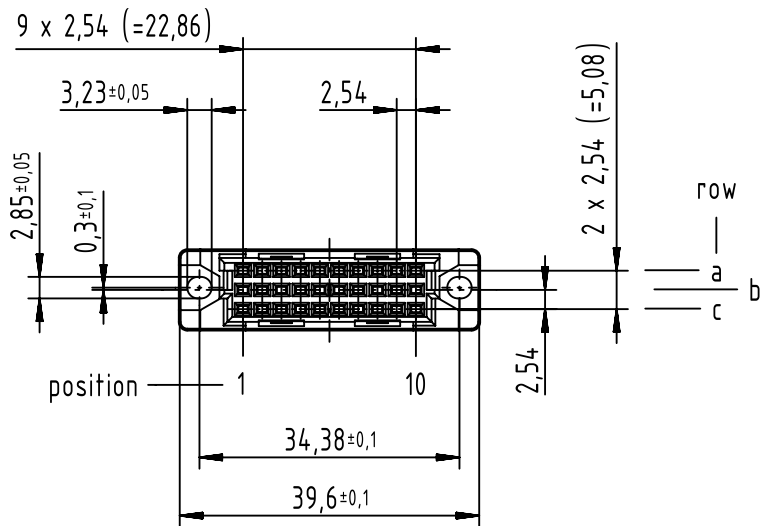
B

C

D



position identification rotated for connection with male type 3R



further information see: DS 09032100801

	All rights reserved Department EC PD - DE	All Dimensions in mm Original Size DIN A4			Scale 1:1	Free size tol. complementary IEC 60603-2	Ref. Sub. TB 09250303217 500000070096 07.01.2014	
		Created by HASSE	Inspected by JASCHKE	Standardisation HOFFMANN	Date 2015-05-04	State Final Release	Title DIN Signal type 3C female crimp inverse	
HARTING Electronics GmbH D-32339 Espelkamp		Type TB	Number 09250303217			Rev. C	Page 1/1	