



Chipsmall Limited consists of a professional team with an average of over 10 year of expertise in the distribution of electronic components. Based in Hongkong, we have already established firm and mutual-benefit business relationships with customers from,Europe,America and south Asia,supplying obsolete and hard-to-find components to meet their specific needs.

With the principle of “Quality Parts,Customers Priority,Honest Operation,and Considerate Service”,our business mainly focus on the distribution of electronic components. Line cards we deal with include Microchip,ALPS,ROHM,Xilinx,Pulse,ON,Everlight and Freescale. Main products comprise IC,Modules,Potentiometer,IC Socket,Relay,Connector.Our parts cover such applications as commercial,industrial, and automotives areas.

We are looking forward to setting up business relationship with you and hope to provide you with the best service and solution. Let us make a better world for our industry!



Contact us

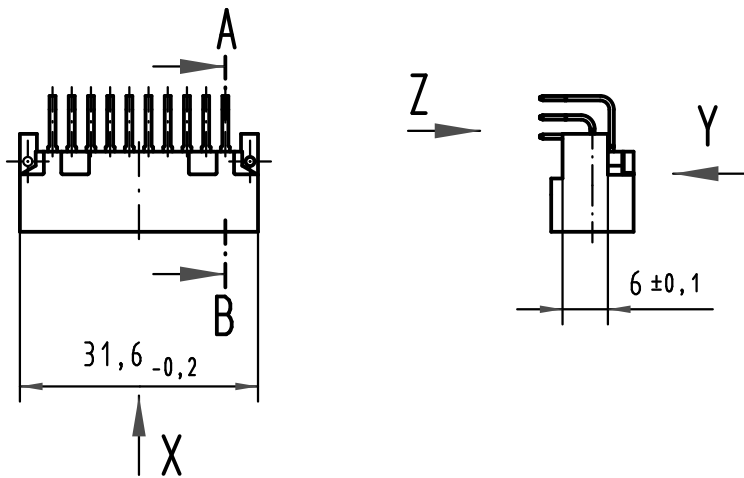
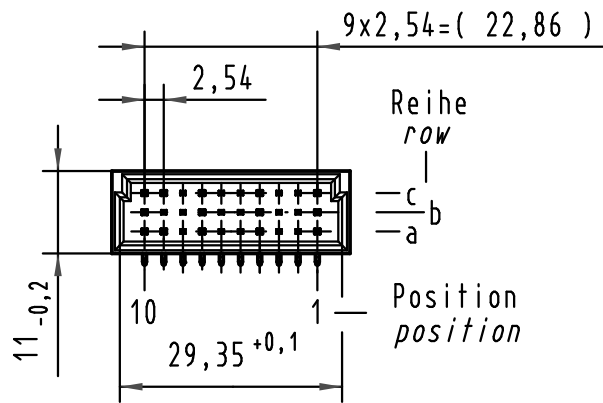
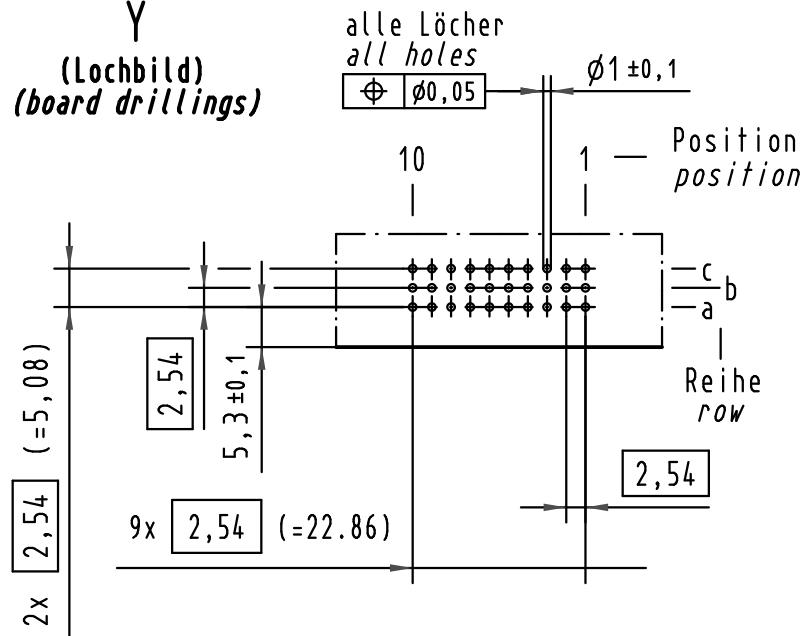
Tel: +86-755-8981 8866 Fax: +86-755-8427 6832

Email & Skype: info@chipsmall.com Web: www.chipsmall.com

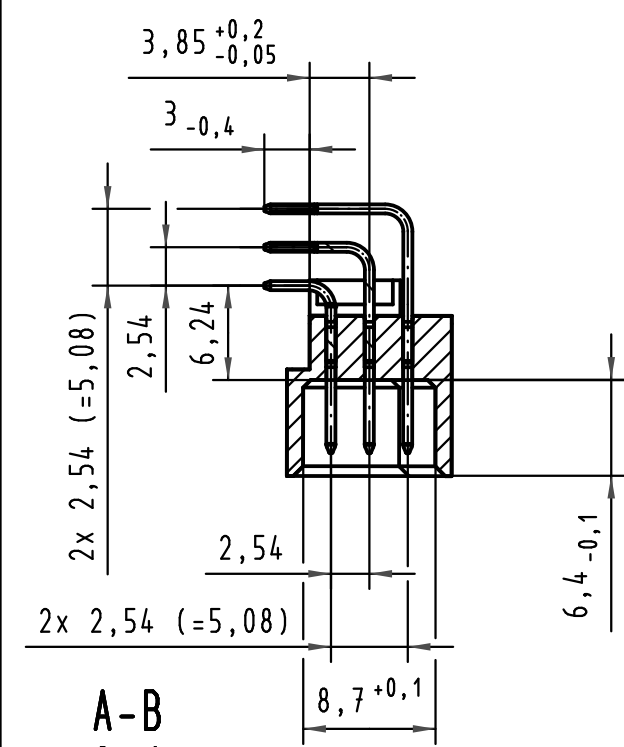
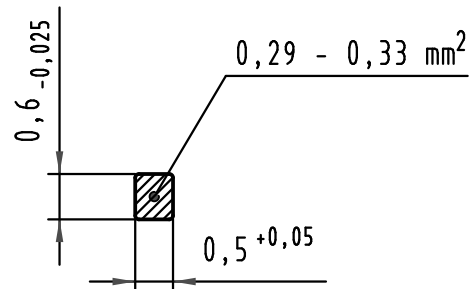
Address: A1208, Overseas Decoration Building, #122 Zhenhua RD., Futian, Shenzhen, China



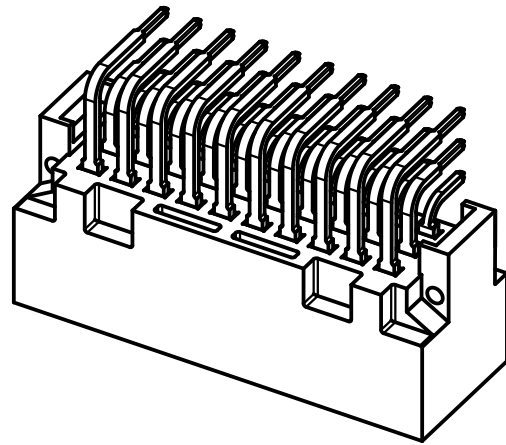
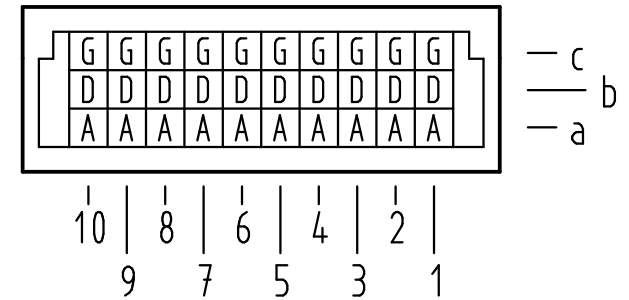
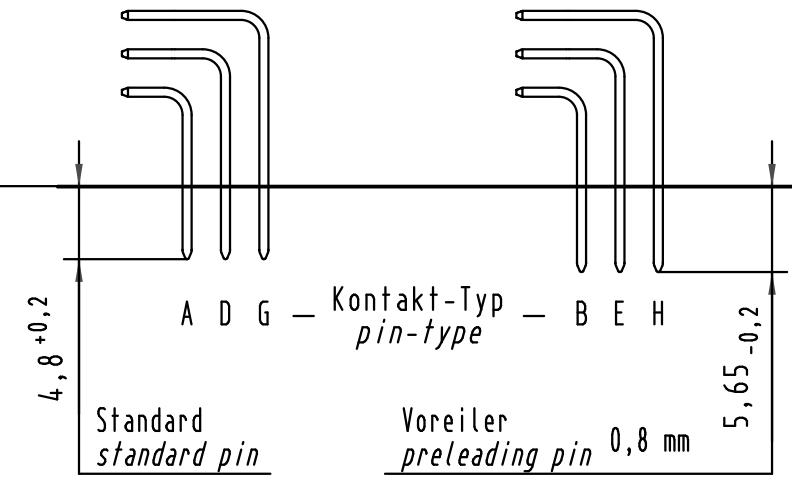
Y
(Lochbild)
(board drillings)



Z
10:1
Querschnitt der
Lötanschlüsse:
cross-section of
solder terminations:



X Kontaktbelegung
contact loading



09 25 130 6579	2	Au flash over PdNi over Ni
Bestell-Nr. part-no.	Anforderungsstufe nach IEC performance level acc. to IEC	Kontaktoberfläche contact plating



All Dimensions in mm Original Size DIN A 3		
Mod.	Dat.	Name
35605		

Techn. Character.		
Detail.	Dat.	Name
Insp.	05.05.09	MR
Stand.		

Nicht tolerierte Maße / Free size tolerances IEC 60603-2		
Bauform 3C Messerleiste ohne Flansch Einlöt, 30 pol., SMC (Hochtemperatur) type 3C male connector without flange solder, 30 pol., SMC (high temperature)		

HARTING Electronics GmbH & Co. KG
D-32339 ESPELKAMP



TB 09 25 130 x579

Blatt / page