



Chipsmall Limited consists of a professional team with an average of over 10 year of expertise in the distribution of electronic components. Based in Hongkong, we have already established firm and mutual-benefit business relationships with customers from,Europe,America and south Asia,supplying obsolete and hard-to-find components to meet their specific needs.

With the principle of “Quality Parts,Customers Priority,Honest Operation,and Considerate Service”,our business mainly focus on the distribution of electronic components. Line cards we deal with include Microchip,ALPS,ROHM,Xilinx,Pulse,ON,Everlight and Freescale. Main products comprise IC,Modules,Potentiometer,IC Socket,Relay,Connector.Our parts cover such applications as commercial,industrial, and automotives areas.

We are looking forward to setting up business relationship with you and hope to provide you with the best service and solution. Let us make a better world for our industry!



Contact us

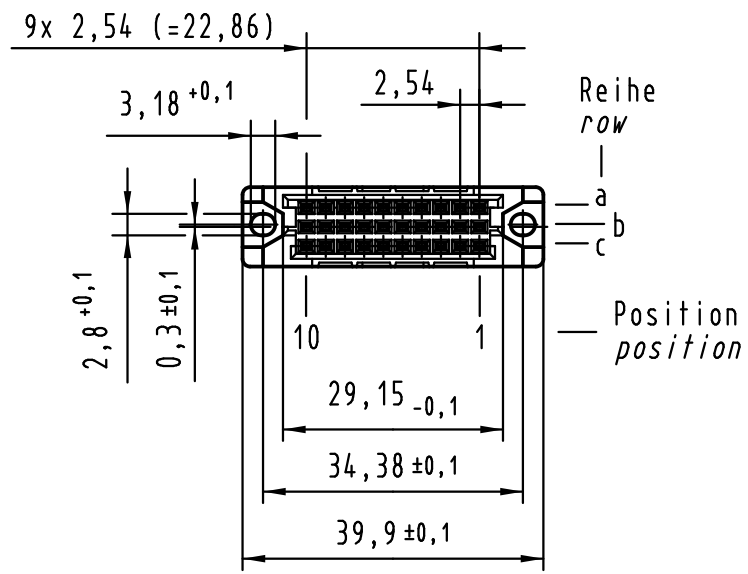
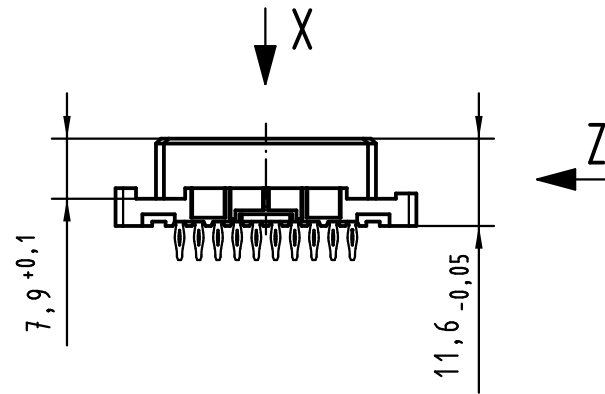
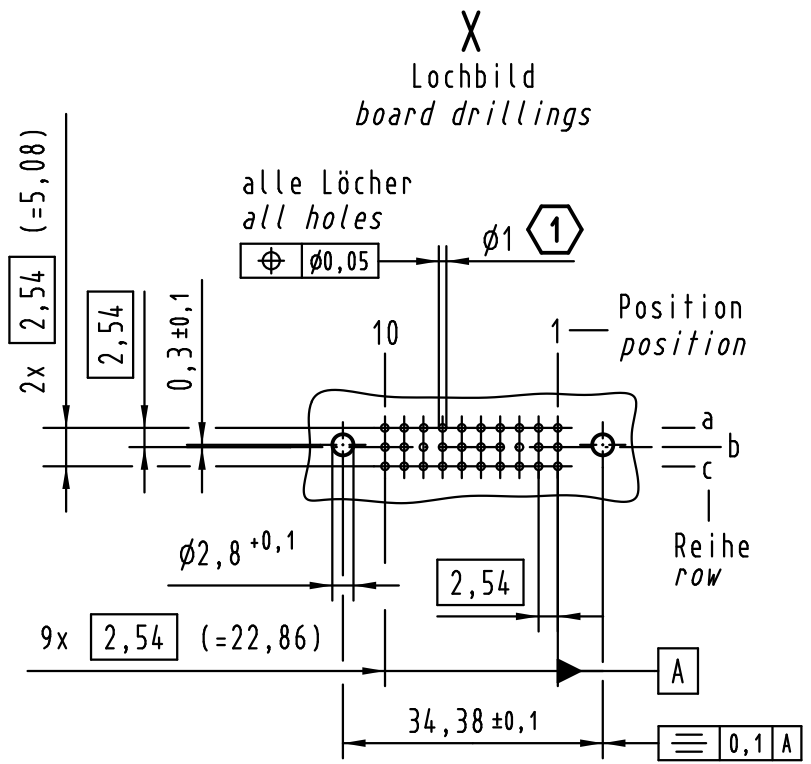
Tel: +86-755-8981 8866 Fax: +86-755-8427 6832

Email & Skype: info@chipsmall.com Web: www.chipsmall.com

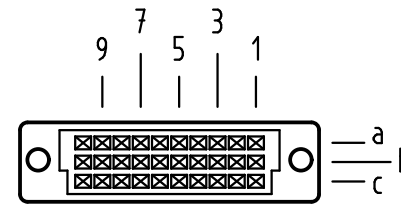
Address: A1208, Overseas Decoration Building, #122 Zhenhua RD., Futian, Shenzhen, China



Alle Rechte vorbehalten. All rights reserved



X
Kontaktanordnung
contact arrangement

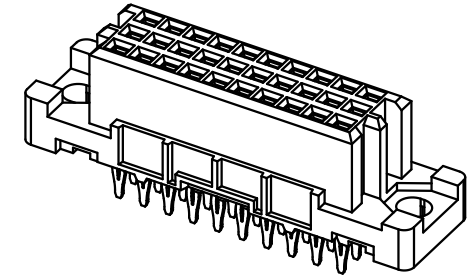
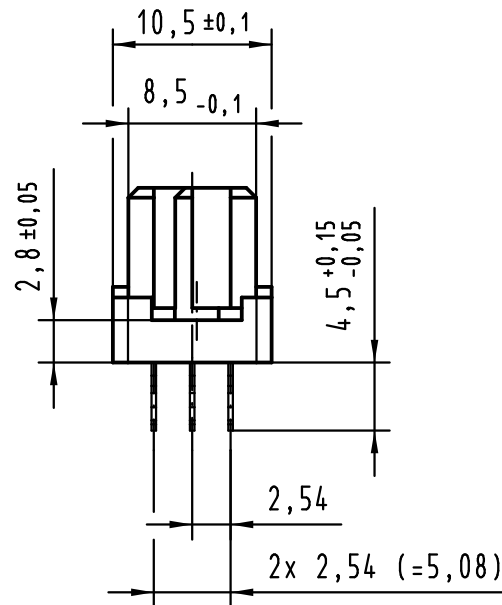


30 Einpress Kontakte
30 press-in contacts

☒ = Einpress Kontakt
= press-in contact

☐ = Kontaktposition nicht belegt
= position without contact

Z (2:1)



1

Empfohlener Lochaufbau und
weitere Informationen siehe: DS 09 03 210 00 01
recommended configuration of plated through holes
and further information see: DS 09 03 210 00 01



Techn. Character.

	Dat.	Name	Maßstab/Scale
Detail.	09.02.09	MR	1:1
Insp.	09.02.09	RA	
Stand.			

Nicht tolerierte Maße/Free size tolerances
IEC 60603-2

36392	05.08.11	HL.
35608		
Mod.	Dat.	Name

HARTING Electronics GmbH & Co. KG
D-32339 ESPELKAMP



har-bus 3C Federleiste
Einpress 4,5 , 30-polig
har-bus 3C female connector
press-in 4.5 , 30-pole

TB 09 25 230 x850

Sub.

Blatt/page

Sub.

09 25 230 6850

2

Bestell-Nr.
part-no.

Anforderungsstufe
performance level 1