



Chipsmall Limited consists of a professional team with an average of over 10 year of expertise in the distribution of electronic components. Based in Hongkong, we have already established firm and mutual-benefit business relationships with customers from,Europe,America and south Asia,supplying obsolete and hard-to-find components to meet their specific needs.

With the principle of “Quality Parts,Customers Priority,Honest Operation,and Considerate Service”,our business mainly focus on the distribution of electronic components. Line cards we deal with include Microchip,ALPS,ROHM,Xilinx,Pulse,ON,Everlight and Freescale. Main products comprise IC,Modules,Potentiometer,IC Socket,Relay,Connector.Our parts cover such applications as commercial,industrial, and automotives areas.

We are looking forward to setting up business relationship with you and hope to provide you with the best service and solution. Let us make a better world for our industry!



## Contact us

Tel: +86-755-8981 8866 Fax: +86-755-8427 6832

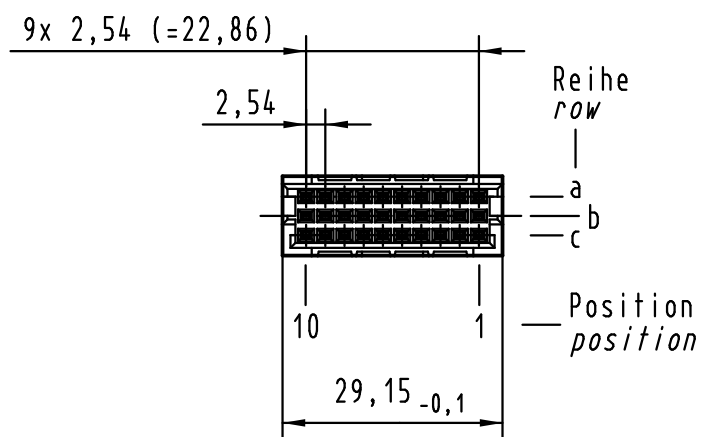
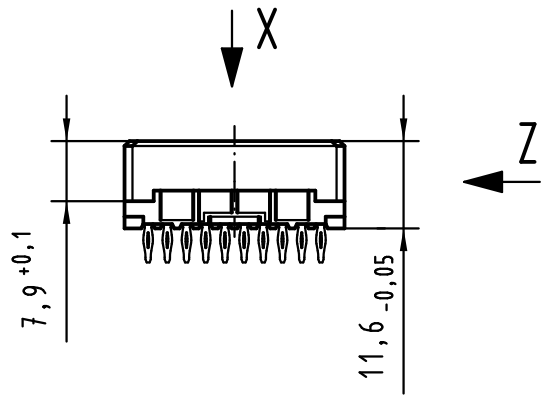
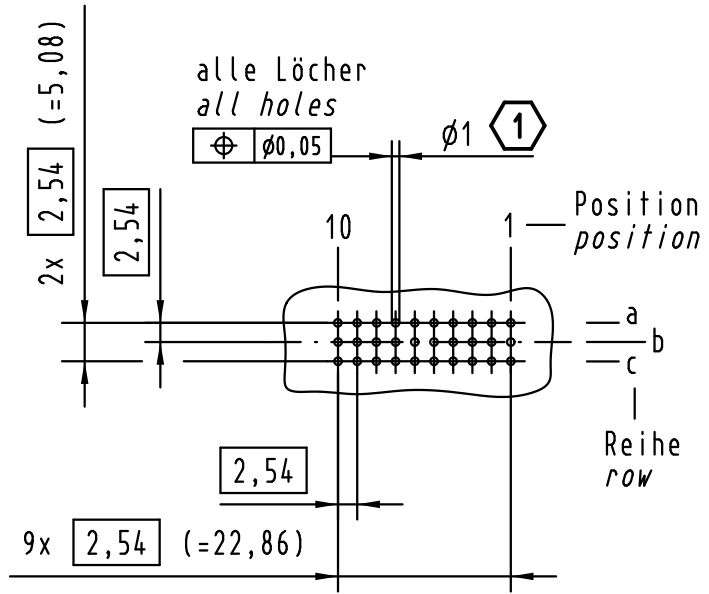
Email & Skype: info@chipsmall.com Web: www.chipsmall.com

Address: A1208, Overseas Decoration Building, #122 Zhenhua RD., Futian, Shenzhen, China

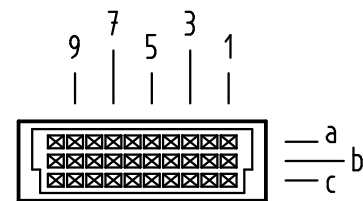


Alle Rechte vorbehalten. All rights reserved

**X**  
Lochbild  
board drillings



**X**  
Kontaktanordnung  
contact arrangement

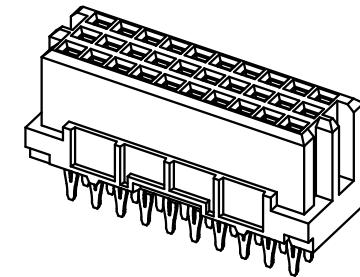
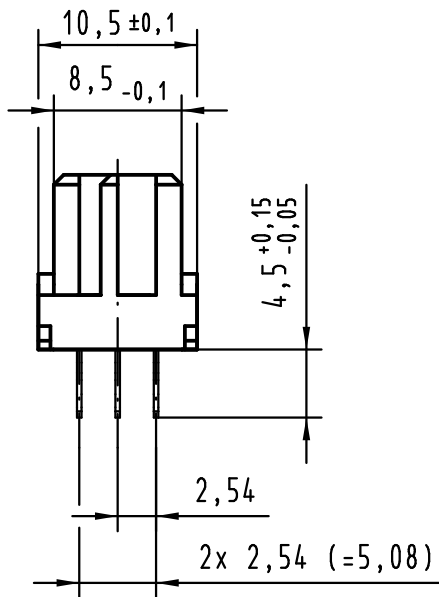


30 Einpress Kontakte  
30 press-in contacts

☒ = Einpress Kontakt  
= press-in contact

☐ = Kontaktposition nicht belegt  
= position without contact

**Z (2:1)**



**1** Empfohlener Lochaufbau und  
weitere Informationen siehe: DS 09 03 210 00 01  
recommended configuration of plated through holes  
and further information see: DS 09 03 210 00 01

09 25 230 6870	2
Bestell-Nr. part-no.	Anforderungsstufe performance level <b>1</b>

All Dimensions in mm Original Size DIN A 3			Techn. Character.			Nicht tolerierte Maßel Free size tolerances IEC 60603-2	
Mod.	Dat.	Name	Dat.	Name	Maßstab/Scale		
36392	05.08.11	HL.	Detail.	29.04.09 MR	1:1	har-bus 3C Federleiste ohne Flansch Einpress 4,5 , 30-polig	
35608			Insp.	29.04.09 RA		har-bus 3C female connector without flange press-in 4.5 , 30-pole	
			Stand.				
HARTING Electronics GmbH & Co. KG D-32339 ESPELKAMP						TB 09 25 230 x870	
						Sub.	Blatt/ page