



Chipsmall Limited consists of a professional team with an average of over 10 year of expertise in the distribution of electronic components. Based in Hongkong, we have already established firm and mutual-benefit business relationships with customers from,Europe,America and south Asia,supplying obsolete and hard-to-find components to meet their specific needs.

With the principle of “Quality Parts,Customers Priority,Honest Operation,and Considerate Service”,our business mainly focus on the distribution of electronic components. Line cards we deal with include Microchip,ALPS,ROHM,Xilinx,Pulse,ON,Everlight and Freescale. Main products comprise IC,Modules,Potentiometer,IC Socket,Relay,Connector.Our parts cover such applications as commercial,industrial, and automotives areas.

We are looking forward to setting up business relationship with you and hope to provide you with the best service and solution. Let us make a better world for our industry!



Contact us

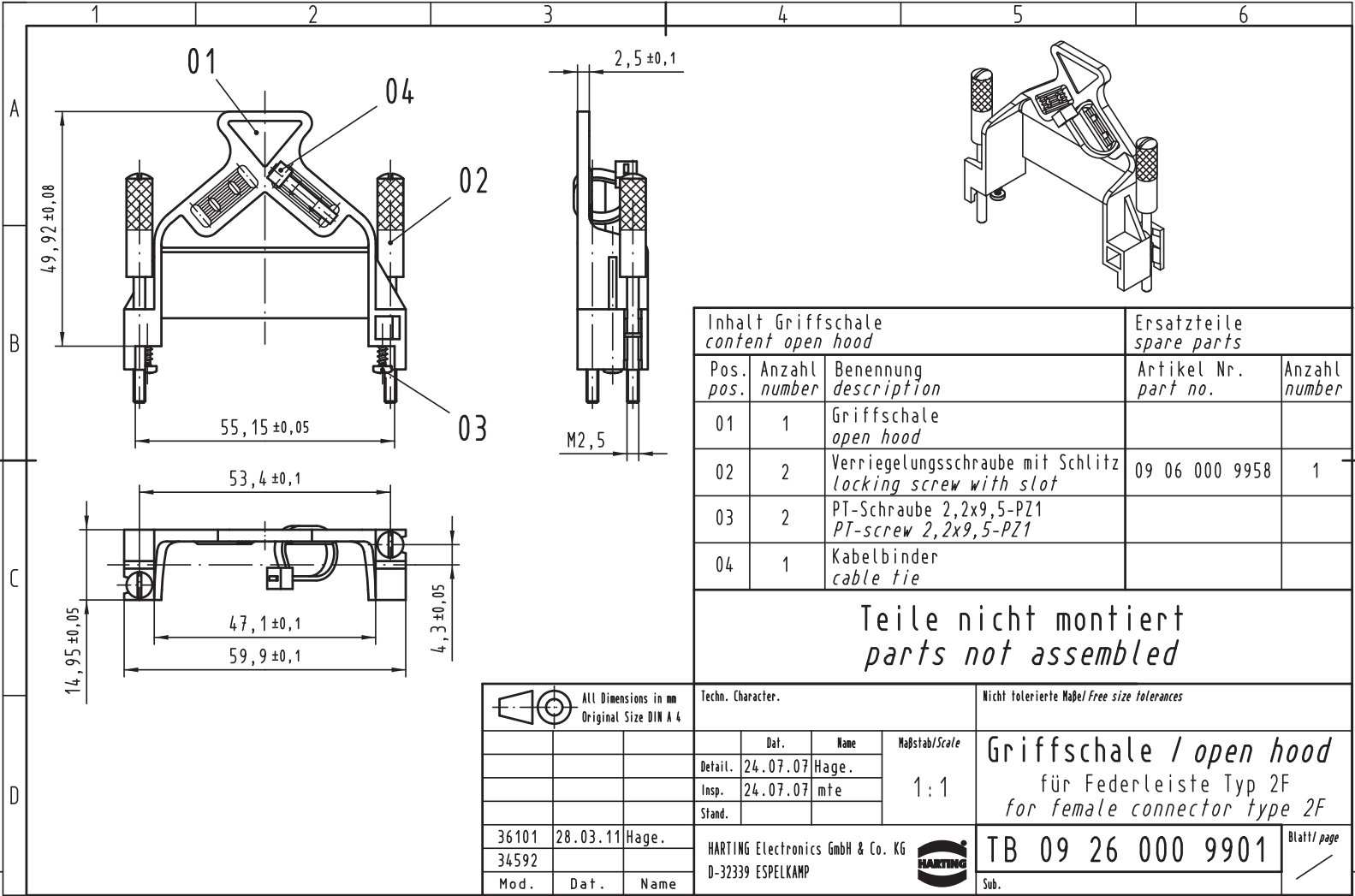
Tel: +86-755-8981 8866 Fax: +86-755-8427 6832

Email & Skype: info@chipsmall.com Web: www.chipsmall.com

Address: A1208, Overseas Decoration Building, #122 Zhenhua RD., Futian, Shenzhen, China




Alle Rechte vorbehalten/ All rights reserved



Inhalt Griffschale content open hood			Ersatzteile spare parts	
Pos. pos.	Anzahl number	Benennung description	Artikel Nr. part no.	Anzahl number
01	1	Griffschale open hood		
02	2	Verriegelungsschraube mit Schlitz locking screw with slot	09 06 000 9958	1
03	2	PT-Schraube 2,2x9,5-PZ1 PT-screw 2,2x9,5-PZ1		
04	1	Kabelbinder cable tie		

Teile nicht montiert
parts not assembled



Techn. Character.				Nicht tolerierte Maß/Free size tolerances	
	Dat.	Name	Maßstab/Scale		
Detail.	24.07.07	Hage.	1:1	Griffschale / open hood für Federleiste Typ 2F for female connector type 2F	
Insp.	24.07.07	mte			
Stand.					
36101	28.03.11	Hage.	 TB 09 26 000 9901		Blatt/ page
34592					
Mod.	Dat.	Name			
HARTING Electronics GmbH & Co. KG D-32339 ESPELKAMP			Sub.		