



Chipsmall Limited consists of a professional team with an average of over 10 year of expertise in the distribution of electronic components. Based in Hongkong, we have already established firm and mutual-benefit business relationships with customers from,Europe,America and south Asia,supplying obsolete and hard-to-find components to meet their specific needs.

With the principle of "Quality Parts,Customers Priority,Honest Operation,and Considerate Service",our business mainly focus on the distribution of electronic components. Line cards we deal with include Microchip,ALPS,ROHM,Xilinx,Pulse,ON,Everlight and Freescale. Main products comprise IC,Modules,Potentiometer,IC Socket,Relay,Connector.Our parts cover such applications as commercial,industrial, and automotives areas.

We are looking forward to setting up business relationship with you and hope to provide you with the best service and solution. Let us make a better world for our industry!



Contact us

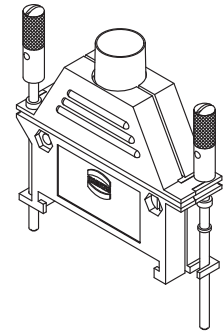
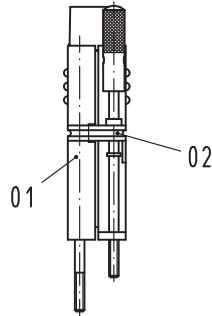
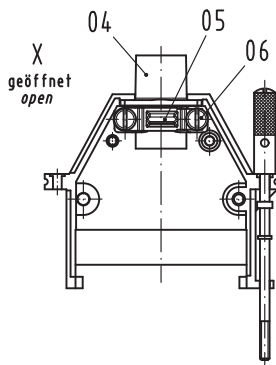
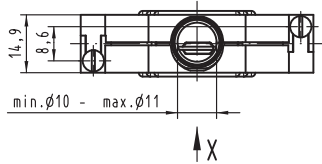
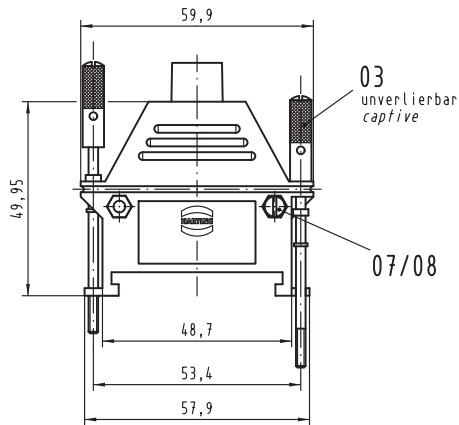
Tel: +86-755-8981 8866 Fax: +86-755-8427 6832

Email & Skype: info@chipsmall.com Web: www.chipsmall.com

Address: A1208, Overseas Decoration Building, #122 Zhenhua RD., Futian, Shenzhen, China



Alle Rechte vorbehalten. All rights reserved.



Inhalt Schalengehäuse content shell housing			Ersatzteile spare parts	
Pos. pos.	Anzahl number	Benennung description	Artikel Nr. part no.	Anzahl number
01	1	Schale links shell left		
02	1	Schale rechts shell right		
03	2	Verriegelungsschraube locking screw		
04	1	Knickschutzfülle cable grommet		
05	1	Kabelschelle cable clamp		1
06	2	Blechschräube / tapping screw ISO 1481-ST2,9x9,5-F	09 06 001 9986/Set	2
07	2	Zylinderschraube / cheese head screw ISO 1207-M3x10-4,8		
08	2	Sechskantmutter / hexagonal nut ISO 4032-M3-8		

Teile nicht montiert
parts not assembled

All Dimensions in mm Original Size DIN A 3	Techn. Character.		Nicht tolerierte Maß/ free size tolerances	
	Detail.	Dat.	Name	Maßstab/Scale 1:1
	Insp.	Dat.	LehT	
	Stand.	Dat.		
36101 28.03.11 Hage. 33554	HARTING Electronics GmbH & Co. KG D-32339 ESPELKAMP			Schalengehäuse A shell housing A
Mod.	Dat.	Name	TB 09 26 024 0401	Blatt/ page Sub.