



Chipsmall Limited consists of a professional team with an average of over 10 year of expertise in the distribution of electronic components. Based in Hongkong, we have already established firm and mutual-benefit business relationships with customers from,Europe,America and south Asia,supplying obsolete and hard-to-find components to meet their specific needs.

With the principle of “Quality Parts,Customers Priority,Honest Operation,and Considerate Service”,our business mainly focus on the distribution of electronic components. Line cards we deal with include Microchip,ALPS,ROHM,Xilinx,Pulse,ON,Everlight and Freescale. Main products comprise IC,Modules,Potentiometer,IC Socket,Relay,Connector.Our parts cover such applications as commercial,industrial, and automotives areas.

We are looking forward to setting up business relationship with you and hope to provide you with the best service and solution. Let us make a better world for our industry!



## Contact us

Tel: +86-755-8981 8866 Fax: +86-755-8427 6832

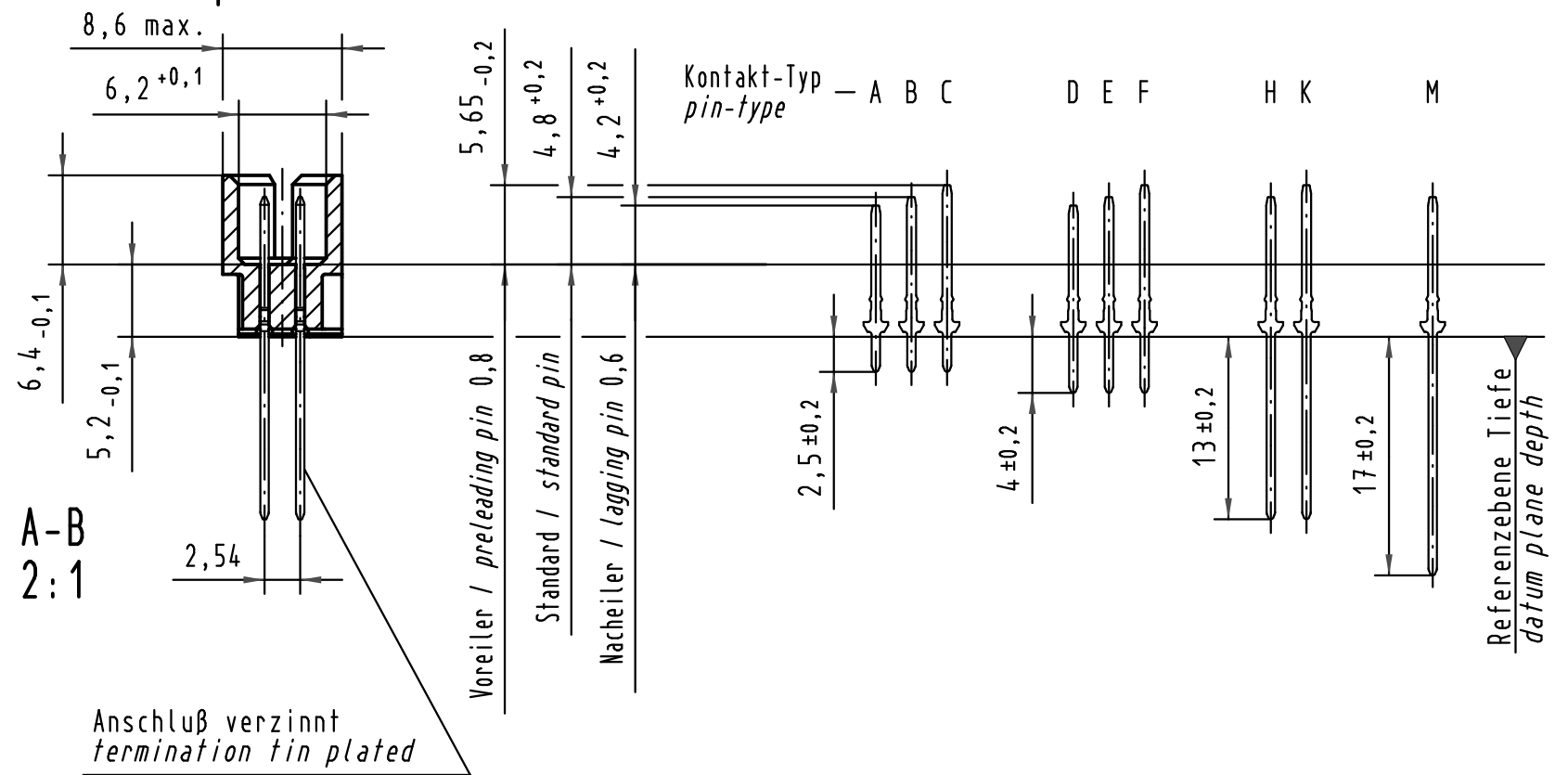
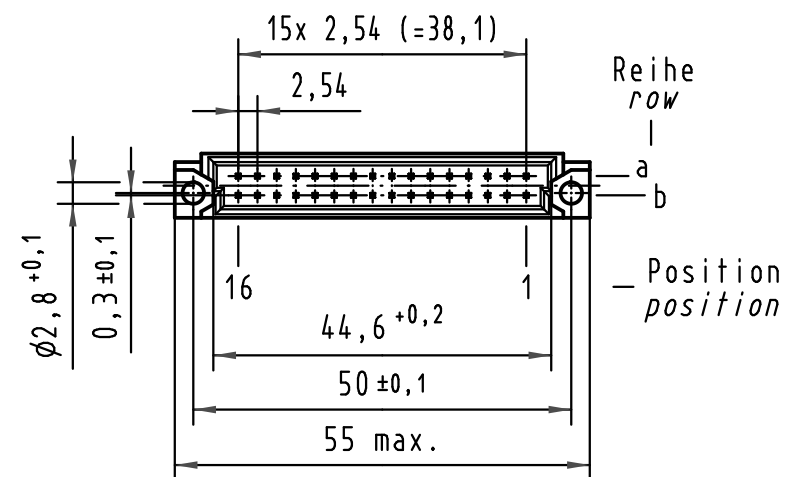
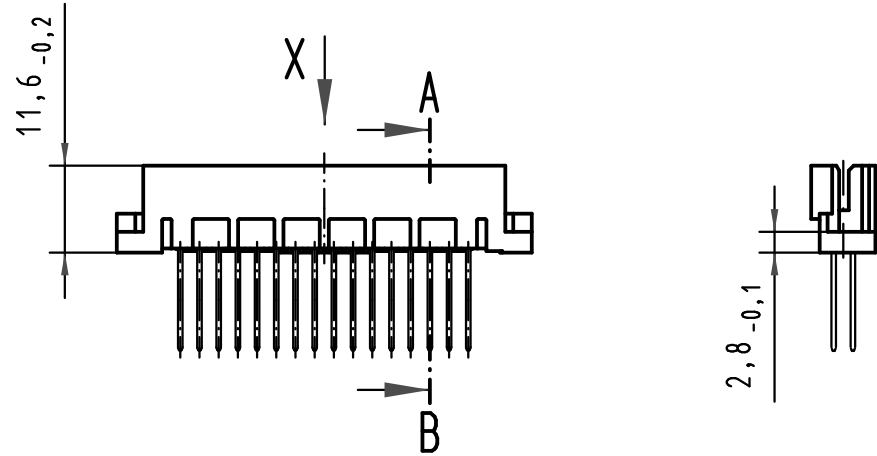
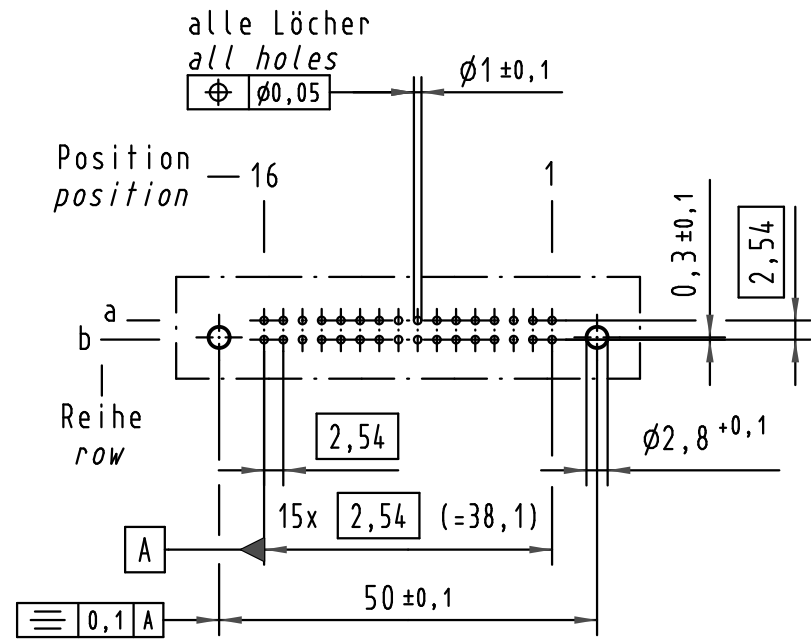
Email & Skype: info@chipsmall.com Web: www.chipsmall.com

Address: A1208, Overseas Decoration Building, #122 Zhenhua RD., Futian, Shenzhen, China

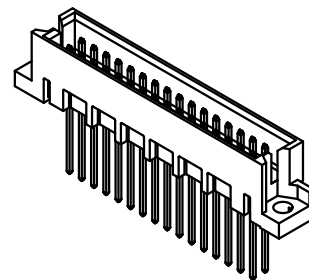
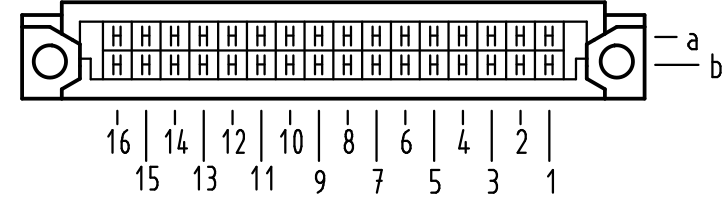


Alle Rechte vorbehalten/ All rights reserved

### X (Lochbild) (board drillings)



### X Kontaktbelegung contact loading



09 27 132 6577	2	Au flash over PdNi over Ni
Bestell-Nr. part-no.	Anforderungsstufe nach IEC performance level acc. to IEC	Kontaktoberfläche contact plating

All Dimensions in mm Original Size DIN A 3	Techn. Character.			Nicht tolerierte Maßel Free size tolerances IEC 60603-2	
	Mod.	Dat.	Name	Dat.	Name
35540	14.07.09	Hage.	Detail.	11.07.05	Hage.
34953	31.01.08	Hage.	Insp.	11.07.05	Ge.
34650	07.01.08	Hage.	Stand.		
32937			HARTING Electronics GmbH & Co. KG D-32339 ESPELKAMP		
			Maßstab/Scale <b>1:1</b> <b>(2:1)</b>		Bauform 2Q Messerleiste Einlöt WW 13, 32pol. type 2Q male connector solder ww 13, 32pol.
				TB 09 27 132 x577	
				Blatt/ page	