



Chipsmall Limited consists of a professional team with an average of over 10 year of expertise in the distribution of electronic components. Based in Hongkong, we have already established firm and mutual-benefit business relationships with customers from,Europe,America and south Asia,supplying obsolete and hard-to-find components to meet their specific needs.

With the principle of “Quality Parts,Customers Priority,Honest Operation,and Considerate Service”,our business mainly focus on the distribution of electronic components. Line cards we deal with include Microchip,ALPS,ROHM,Xilinx,Pulse,ON,Everlight and Freescale. Main products comprise IC,Modules,Potentiometer,IC Socket,Relay,Connector.Our parts cover such applications as commercial,industrial, and automotives areas.

We are looking forward to setting up business relationship with you and hope to provide you with the best service and solution. Let us make a better world for our industry!



Contact us

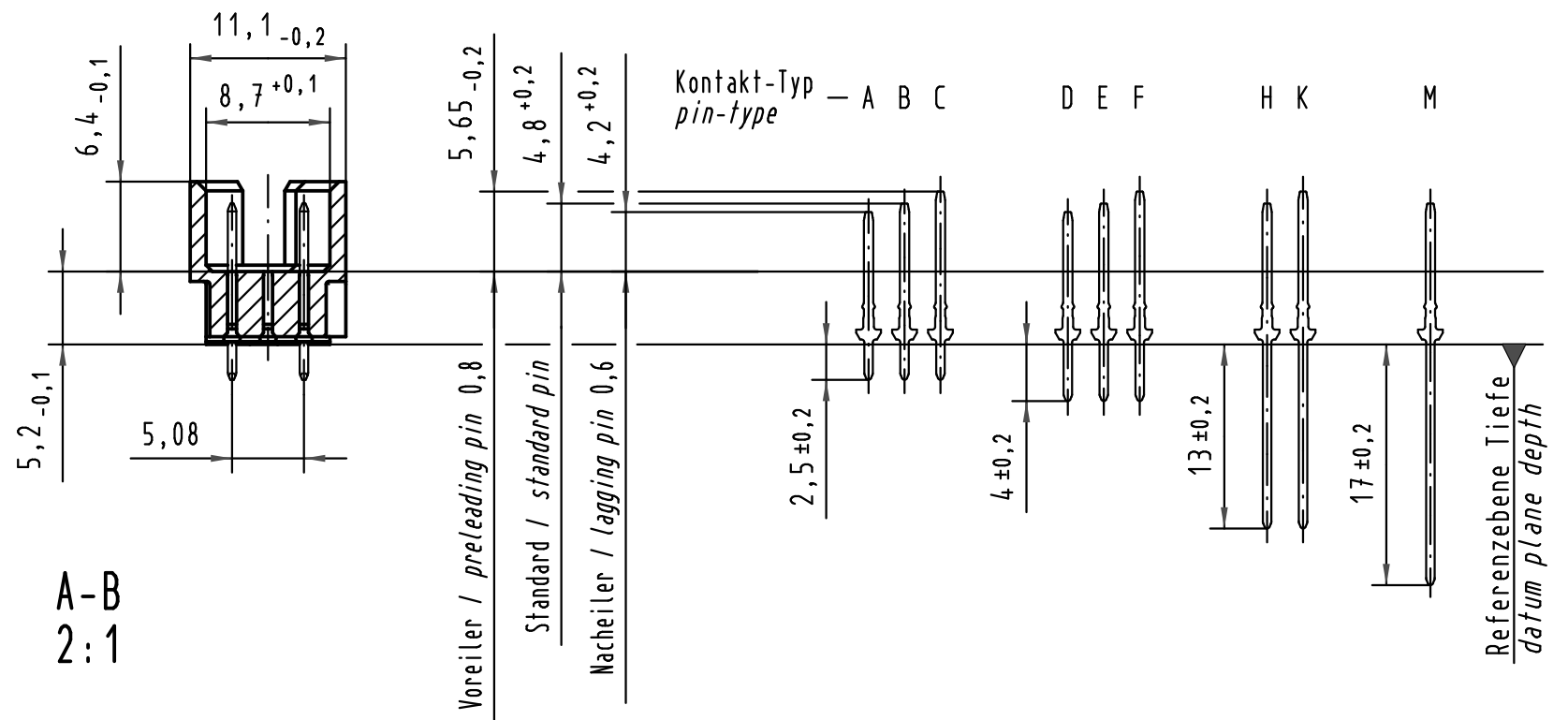
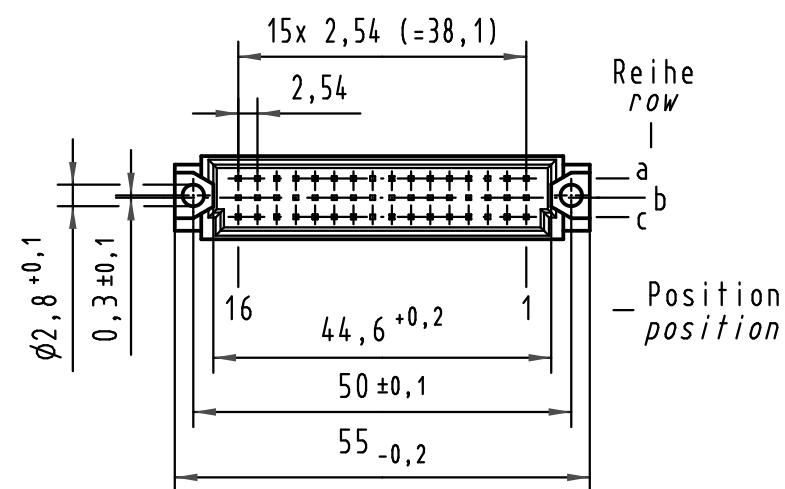
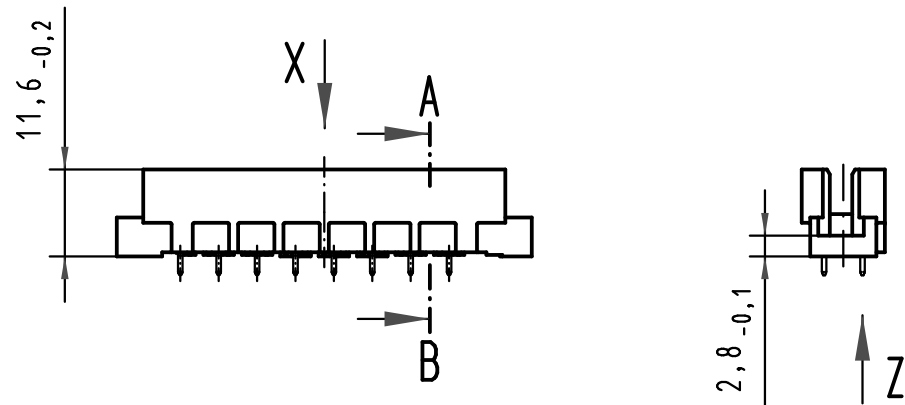
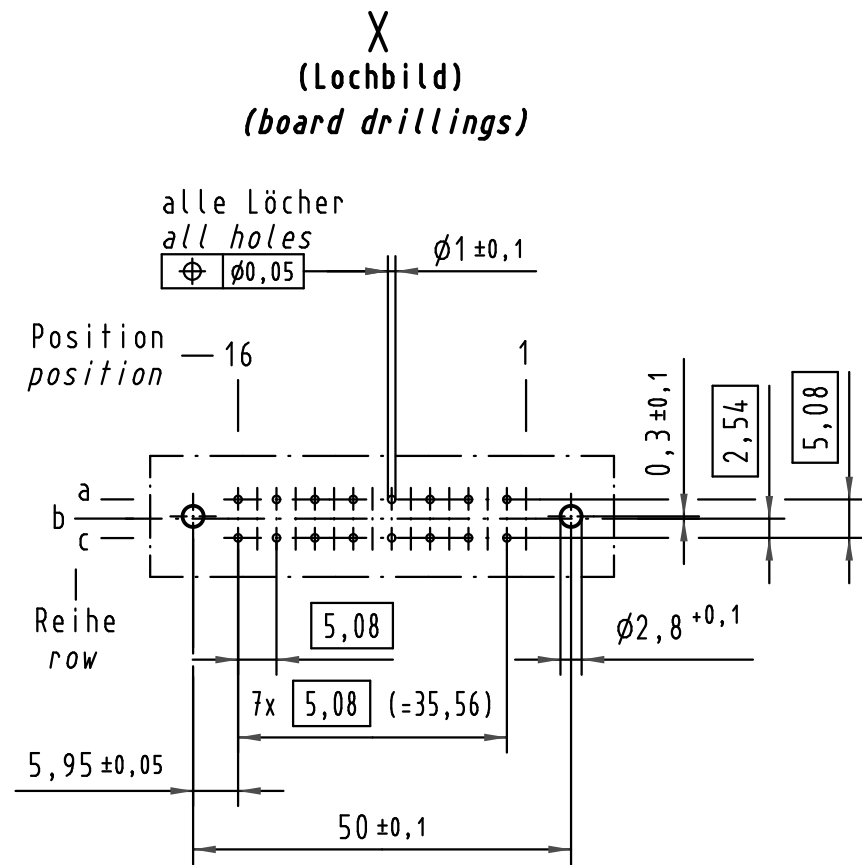
Tel: +86-755-8981 8866 Fax: +86-755-8427 6832

Email & Skype: info@chipsmall.com Web: www.chipsmall.com

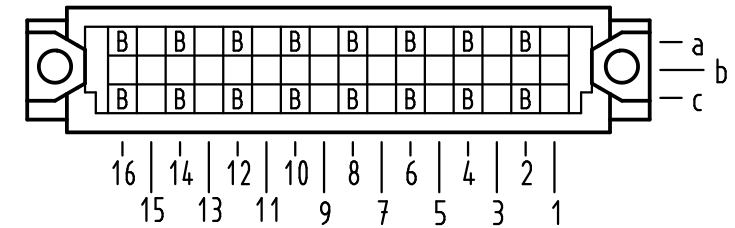
Address: A1208, Overseas Decoration Building, #122 Zhenhua RD., Futian, Shenzhen, China



Alle Rechte vorbehalten/ All rights reserved

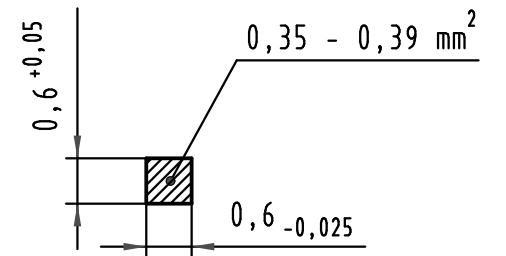


X Kontaktbelegung
contact loading



Z
10:1

Querschnitt der
Lötanschlüsse:
cross-section of
solder terminations:



09 28 116 6902

2

Au flash over PdNi over Ni

Bestell-Nr.
part-no.

Anforderungsstufe nach IEC
performance level acc. to IEC

Kontaktoberfläche
contact plating

All Dimensions in mm Original Size DIN A 3			Techn. Character.			Nicht tolerierte Maß/Free size tolerances IEC 60603-2	
Mod.	Dat.	Name	Dat.	Name	Maßstab/Scale	Bauform 2R Messerleiste Einlot 2,5 , 16pol. type 2R male connector solder 2,5 , 16pol.	
35540	15.07.09	Hage.	Detail.	11.06.01	Rie.	1:1	TB 09 28 116 x902
34650	07.01.08	Hage.	Insp.	11.06.01	Pa.	2:1	
29836			Stand.			10:1	
HARTING Electronics GmbH & Co. KG D-32339 ESPELKAMP			HARTING			Sub.	

Blatt/ page