



Chipsmall Limited consists of a professional team with an average of over 10 year of expertise in the distribution of electronic components. Based in Hongkong, we have already established firm and mutual-benefit business relationships with customers from,Europe,America and south Asia,supplying obsolete and hard-to-find components to meet their specific needs.

With the principle of “Quality Parts,Customers Priority,Honest Operation,and Considerate Service”,our business mainly focus on the distribution of electronic components. Line cards we deal with include Microchip,ALPS,ROHM,Xilinx,Pulse,ON,Everlight and Freescale. Main products comprise IC,Modules,Potentiometer,IC Socket,Relay,Connector.Our parts cover such applications as commercial,industrial, and automotives areas.

We are looking forward to setting up business relationship with you and hope to provide you with the best service and solution. Let us make a better world for our industry!



Contact us

Tel: +86-755-8981 8866 Fax: +86-755-8427 6832

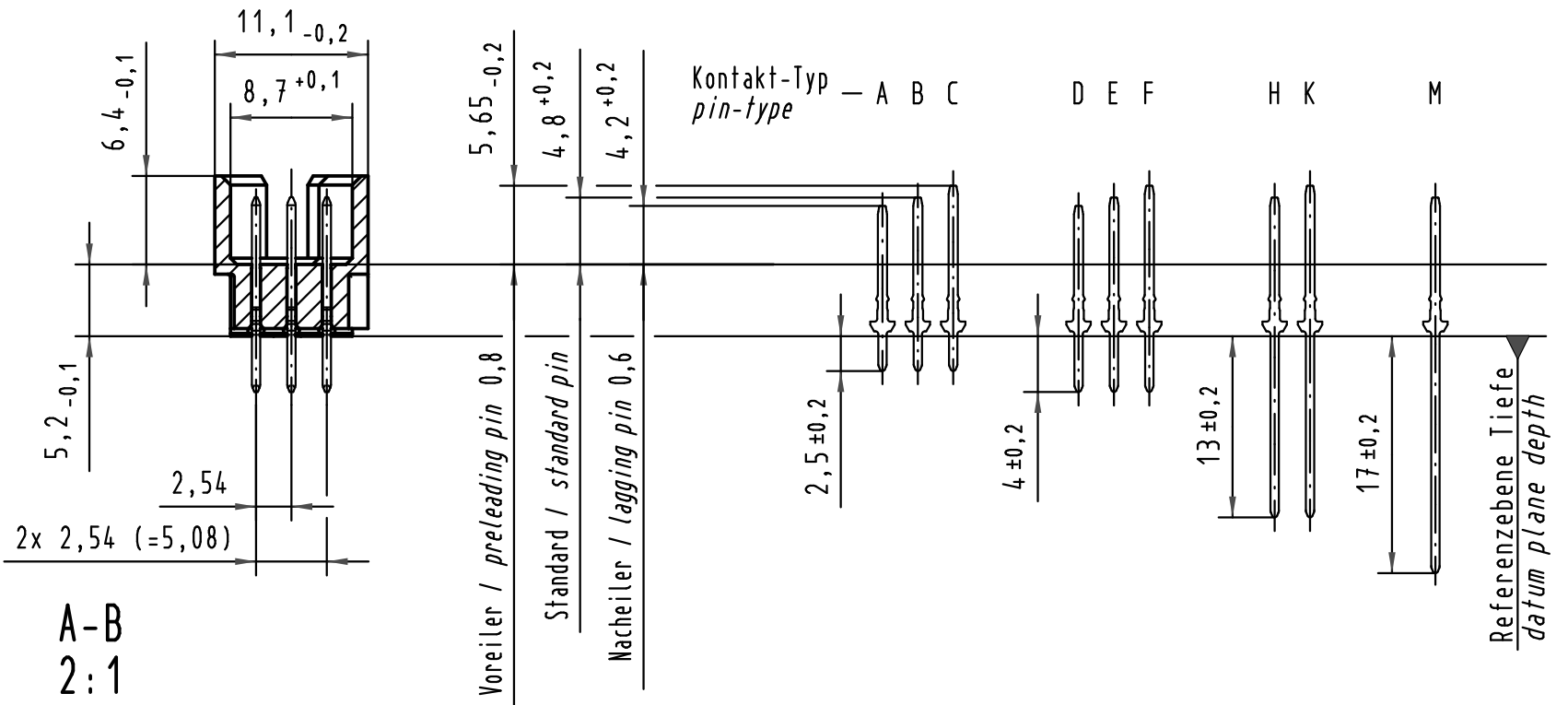
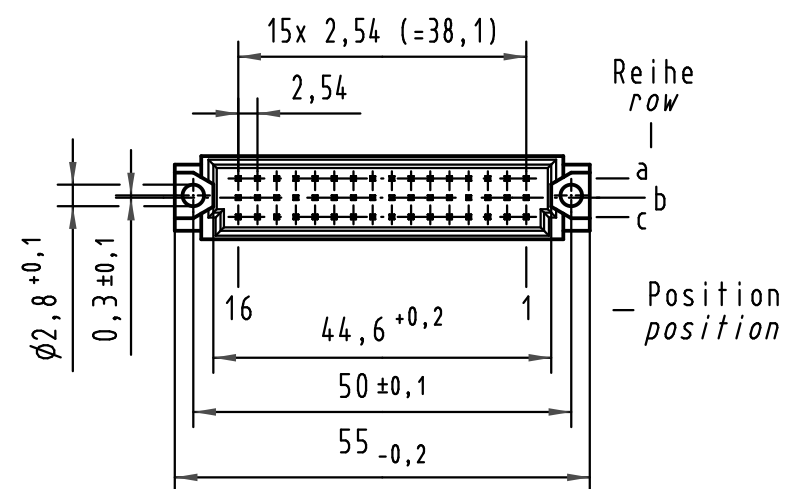
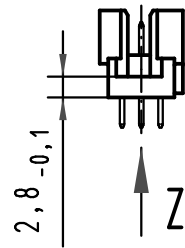
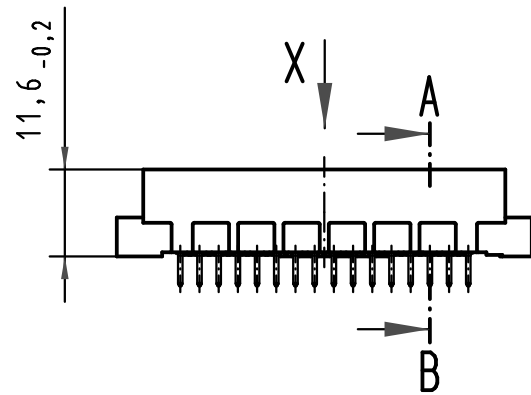
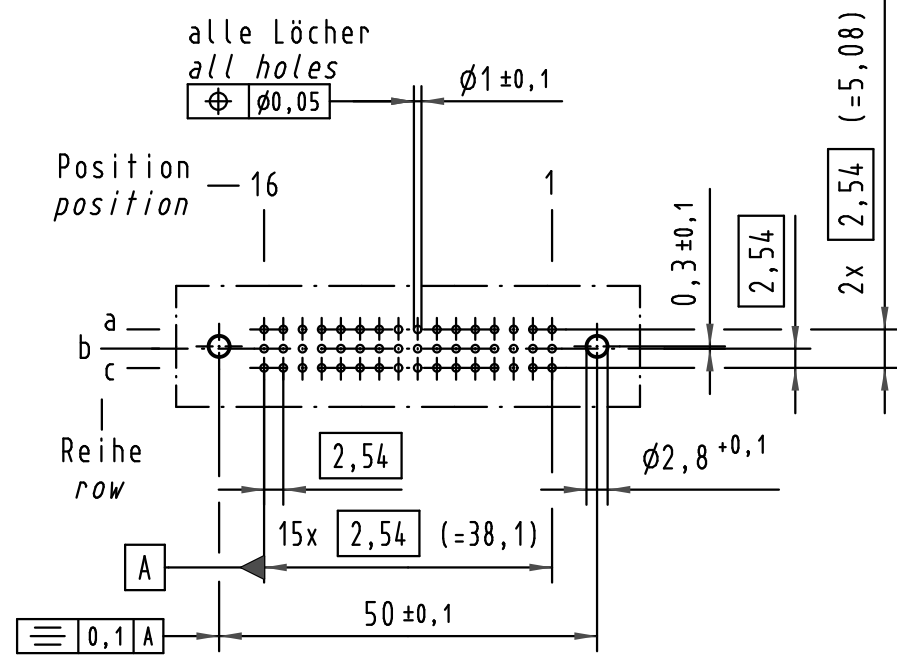
Email & Skype: info@chipsmall.com Web: www.chipsmall.com

Address: A1208, Overseas Decoration Building, #122 Zhenhua RD., Futian, Shenzhen, China

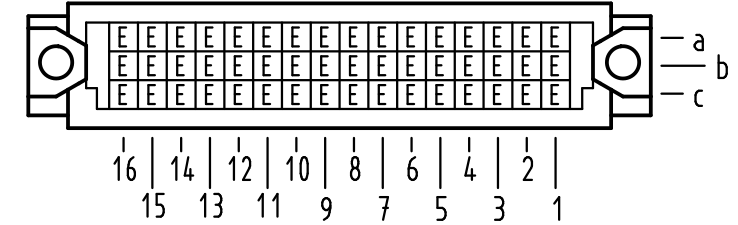


Alle Rechte vorbehalten/ All rights reserved

X
(Lochbild)
(board drillings)

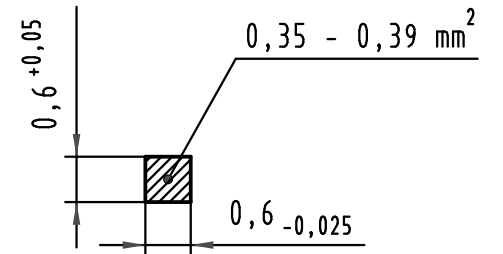


X Kontaktbelegung
contact loading



Z
10:1

Querschnitt der
Lötanschlüsse:
cross-section of
solder terminations:



09 28 148 7903	3	Au flash over PdNi over Ni
09 28 148 6903	2	Au flash over PdNi over Ni
09 28 148 2903	1	Au flash over PdNi over Ni
Bestell-Nr. part-no.	Anforderungsstufe nach IEC performance level acc. to IEC	Kontaktoberfläche contact plating

All Dimensions in mm Original Size DIN A 3			Techn. Character.			Nicht tolerierte Maßel Free size tolerances IEC 60603-2			
			Dat.	Name	Maßstab/Scale	Bauform 2R Messerleiste Einlöt 4,0 , 48pol. type 2R male connector solder 4,0 , 48pol.			
			Detail.	11.06.01	Rie.				1:1
			Insp.	11.06.01	Pa.				2:1
			Stand.						10:1
35540	15.07.09	Hage.	HARTING Electronics GmbH & Co. KG			TB 09 28 148 x903			
34650	08.01.08	Hage.	D-32339 ESPELKAMP						Blatt/ page
29836						Sub.			
Mod.	Dat.	Name							