



Chipsmall Limited consists of a professional team with an average of over 10 year of expertise in the distribution of electronic components. Based in Hongkong, we have already established firm and mutual-benefit business relationships with customers from,Europe,America and south Asia,supplying obsolete and hard-to-find components to meet their specific needs.

With the principle of “Quality Parts,Customers Priority,Honest Operation,and Considerate Service”,our business mainly focus on the distribution of electronic components. Line cards we deal with include Microchip,ALPS,ROHM,Xilinx,Pulse,ON,Everlight and Freescale. Main products comprise IC,Modules,Potentiometer,IC Socket,Relay,Connector.Our parts cover such applications as commercial,industrial, and automotives areas.

We are looking forward to setting up business relationship with you and hope to provide you with the best service and solution. Let us make a better world for our industry!



Contact us

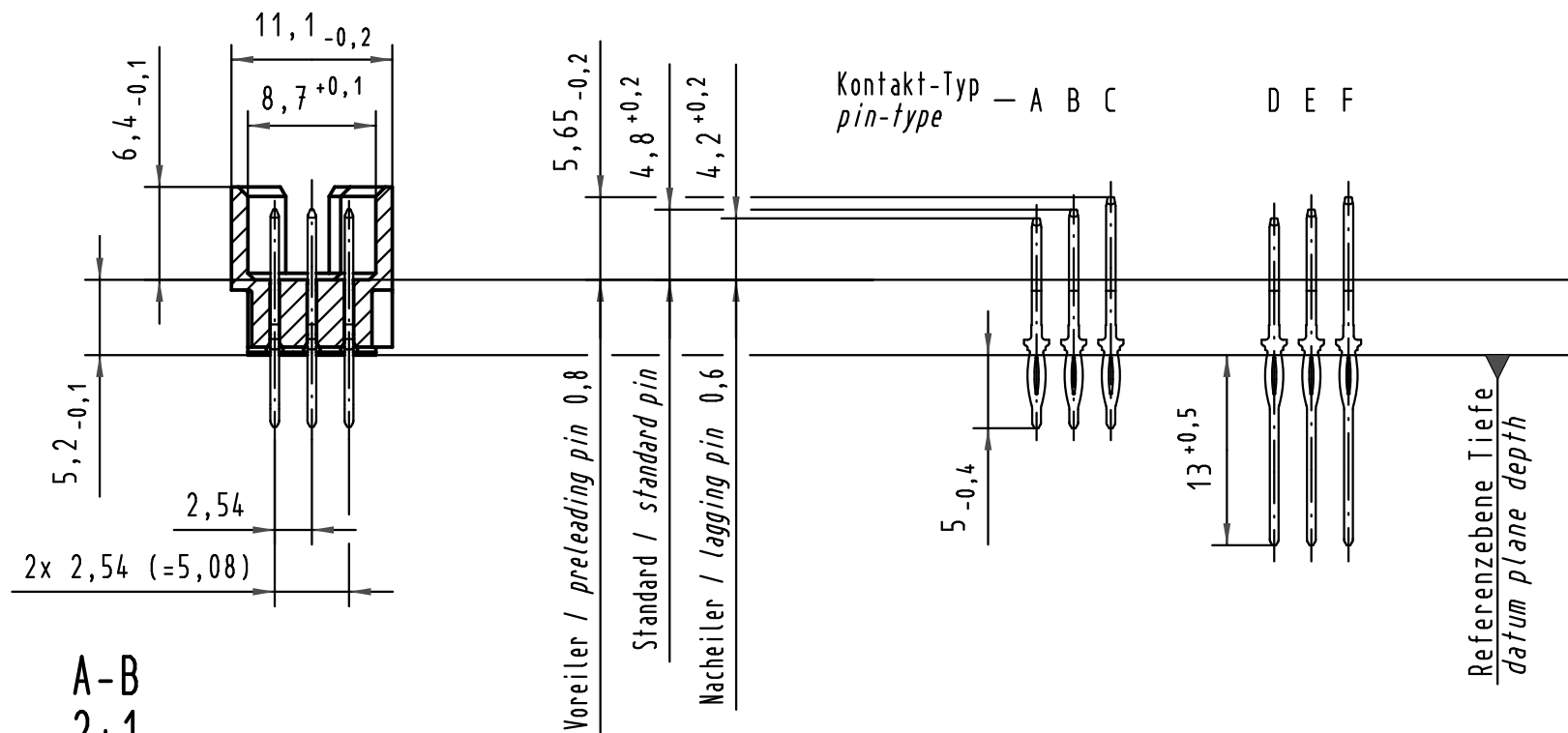
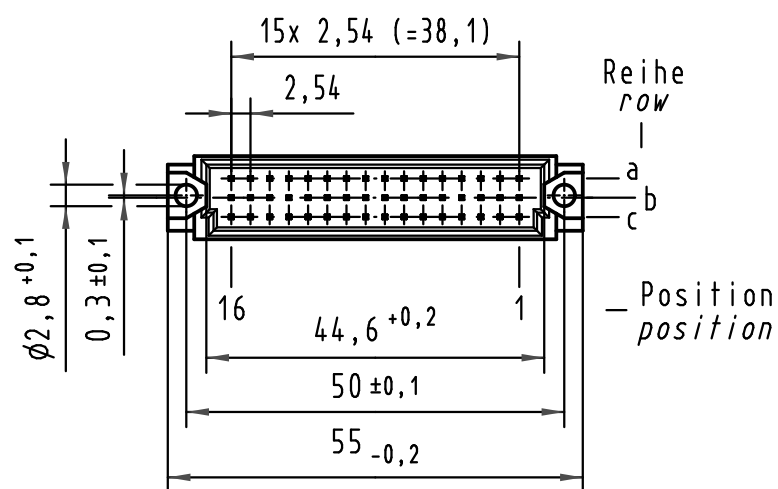
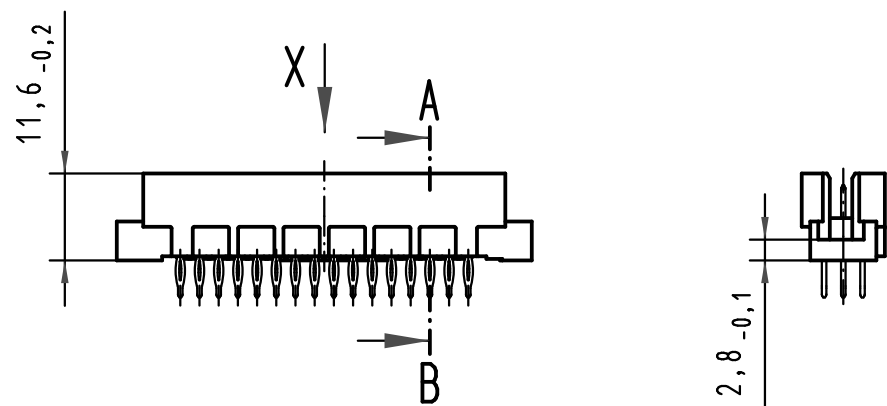
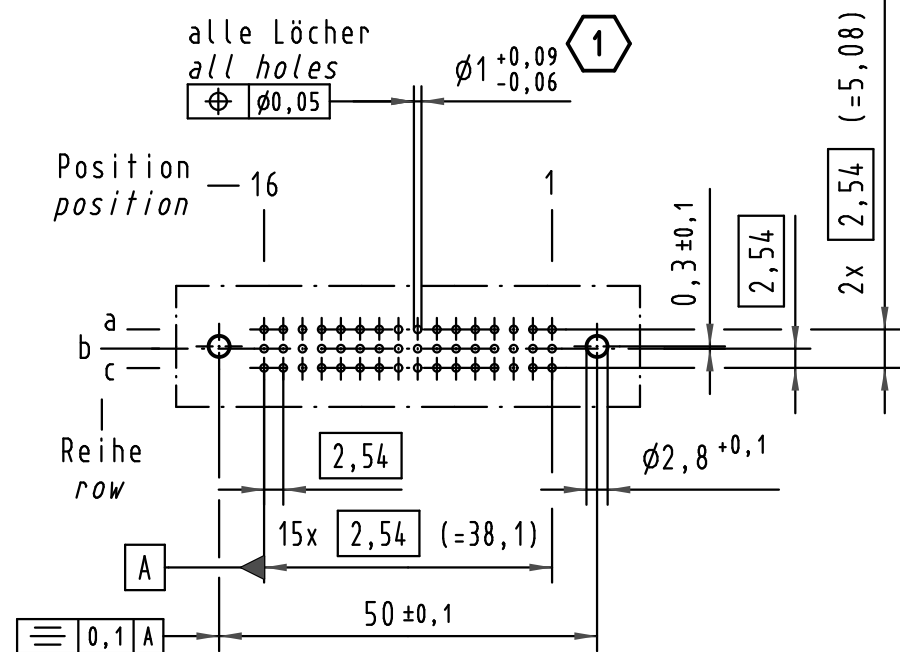
Tel: +86-755-8981 8866 Fax: +86-755-8427 6832

Email & Skype: info@chipsmall.com Web: www.chipsmall.com

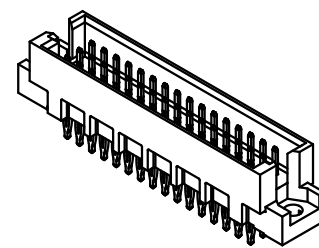
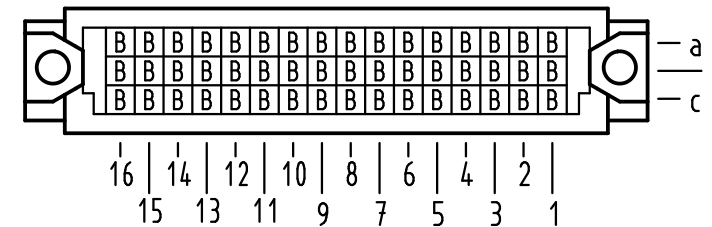
Address: A1208, Overseas Decoration Building, #122 Zhenhua RD., Futian, Shenzhen, China



X
(Lochbild)
(board drillings)



X Kontaktbelegung
contact loading



1 Für Einpreßverbindung nach IEC 60352-5
for press-in connection acc. to IEC 60352-5

09 28 148 7904	3	Au flash over PdNi over Ni
09 28 148 6904	2	Au flash over PdNi over Ni
Bestell-Nr. part-no.	Anforderungsstufe nach IEC performance level acc. to IEC	Kontaktoberfläche contact plating

All Dimensions in mm Original Size DIN A 3			Techn. Character.			Nicht tolerierte Maßel / Free size tolerances IEC 60603-2		
			Dat.	Name	Maßstab / Scale	Bauform 2R Messerleiste Einpreß 5,0 , 48pol. type 2R male connector press-in 5,0 , 48pol.		
			Detail.	21.06.01 Rie.	1:1 (2:1)			
			Insp.	21.06.01 Pa.				
35540	15.07.09	Hage.	Stand.					
34650	08.01.08	Hage.				TB 09 28 148 x904 Blatt / page		
29835								
Mod.	Dat.	Name	HARTING Electronics GmbH & Co. KG D-32339 ESPELKAMP			Sub.		