



Chipsmall Limited consists of a professional team with an average of over 10 year of expertise in the distribution of electronic components. Based in Hongkong, we have already established firm and mutual-benefit business relationships with customers from,Europe,America and south Asia,supplying obsolete and hard-to-find components to meet their specific needs.

With the principle of "Quality Parts,Customers Priority,Honest Operation,and Considerate Service",our business mainly focus on the distribution of electronic components. Line cards we deal with include Microchip,ALPS,ROHM,Xilinx,Pulse,ON,Everlight and Freescale. Main products comprise IC,Modules,Potentiometer,IC Socket,Relay,Connector.Our parts cover such applications as commercial,industrial, and automotives areas.

We are looking forward to setting up business relationship with you and hope to provide you with the best service and solution. Let us make a better world for our industry!



Contact us

Tel: +86-755-8981 8866 Fax: +86-755-8427 6832

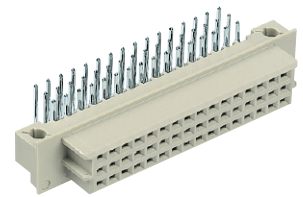
Email & Skype: info@chipsmall.com Web: www.chipsmall.com

Address: A1208, Overseas Decoration Building, #122 Zhenhua RD., Futian, Shenzhen, China



Number of contacts

48, 32

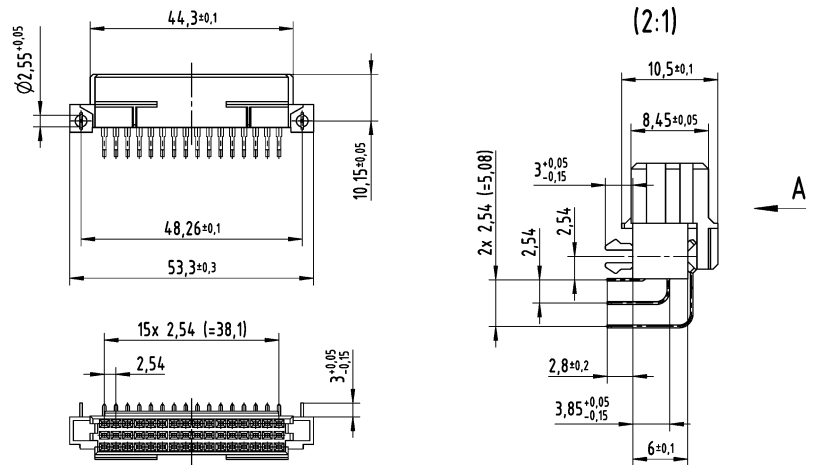


Female connectors

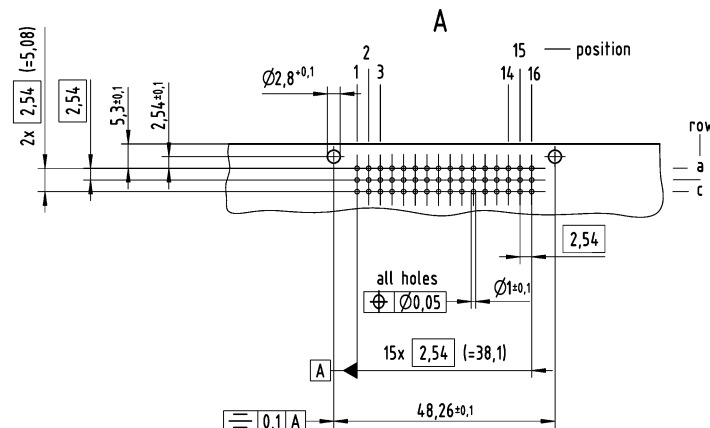
Identification	No. of contacts	Contact arrangement	Performance levels according to IEC 60603-2. Explanation chapter 00		
			3	2	1
Female connector with angled solder pins THR THR on a reel	48		Performance level 3 on request	09 28 248 6801 09 28 448 6801 ^{b)}	Performance level 1 on request
	48			09 28 248 6804 ^{d)} 09 28 248 6804 791 ^{d)}	
	32			09 28 232 6801 09 28 432 6801 ^{b)}	

DIN Signal up to 2 A

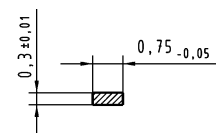
Dimensions



Board drillings
Mounting side



Cross section of solder terminations



Cross area (A) of contacts row a, b, c:
A = 0.20 - 0.23 mm²

Dimensions in mm

Other contact arrangements as well with lagging/leading pins on request

^{b)} Connectors with snap-in clips see chapter 00

^{d)} CTI > 400