



Chipsmall Limited consists of a professional team with an average of over 10 year of expertise in the distribution of electronic components. Based in Hongkong, we have already established firm and mutual-benefit business relationships with customers from,Europe,America and south Asia,supplying obsolete and hard-to-find components to meet their specific needs.

With the principle of “Quality Parts,Customers Priority,Honest Operation,and Considerate Service”,our business mainly focus on the distribution of electronic components. Line cards we deal with include Microchip,ALPS,ROHM,Xilinx,Pulse,ON,Everlight and Freescale. Main products comprise IC,Modules,Potentiometer,IC Socket,Relay,Connector.Our parts cover such applications as commercial,industrial, and automotives areas.

We are looking forward to setting up business relationship with you and hope to provide you with the best service and solution. Let us make a better world for our industry!



## Contact us

Tel: +86-755-8981 8866 Fax: +86-755-8427 6832

Email & Skype: info@chipsmall.com Web: www.chipsmall.com

Address: A1208, Overseas Decoration Building, #122 Zhenhua RD., Futian, Shenzhen, China

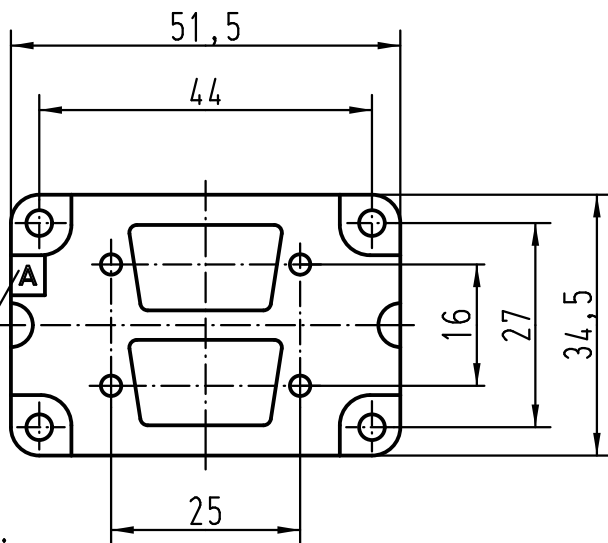


A

B

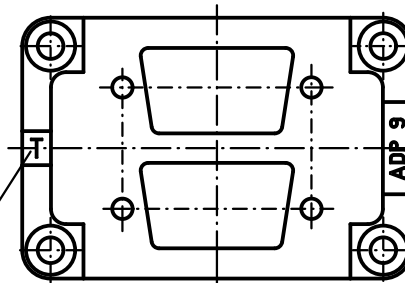
C

D

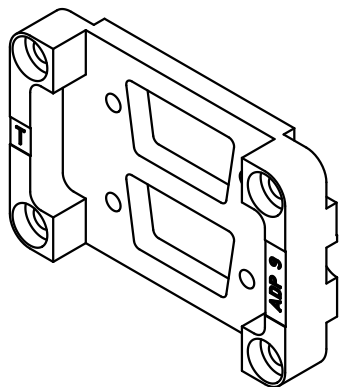
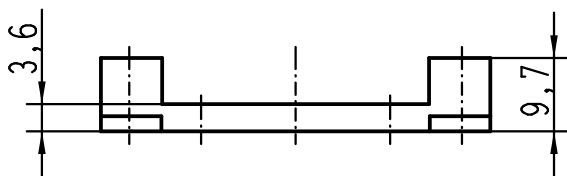


Einbau im Anbaugeschütz:  
Kennbuchstabe "A" ist sichtbar  
*Mounting in housing:  
character "A" visible*

Rückansicht  
*back view*



Einbau im Tüllengehäuse:  
Kennbuchstabe "T" ist sichtbar  
*Mounting in hood:  
character "T" visible*



Zum Lieferumfang gehören

- 4 x Schrauben ISO 1481-St2,9x6,5-F
- 4 x Schrauben ISO 1207-M3x14

belongs to range of delivery

- 4 x screws ISO 1481-St2,9x6,5-F
- 4 x screws ISO 1207-M3x14

All Dimensions in mm Original Size DIN A 4			Techn. Character.			Nicht tolerierte Maße/Free size tolerances		
				Dat.	Name	Maßstab/Scale  1:1	2x D-Sub 9 -Adapterplatte 2x D-Sub 9 -adapter f. Han 6B - Gehäuse/hoods, housings	
			Detail.	08.06.11	Rull			
			Insp.		Sch			
			Stand.					
A			HARTING Electric GmbH & Co. KG			TB 09 30 000 9970		Blatt/ page
Mod.	Dat.	Name	D-32339 Espelkamp					