



Chipsmall Limited consists of a professional team with an average of over 10 year of expertise in the distribution of electronic components. Based in Hongkong, we have already established firm and mutual-benefit business relationships with customers from,Europe,America and south Asia,supplying obsolete and hard-to-find components to meet their specific needs.

With the principle of “Quality Parts,Customers Priority,Honest Operation,and Considerate Service”,our business mainly focus on the distribution of electronic components. Line cards we deal with include Microchip,ALPS,ROHM,Xilinx,Pulse,ON,Everlight and Freescale. Main products comprise IC,Modules,Potentiometer,IC Socket,Relay,Connector.Our parts cover such applications as commercial,industrial, and automotives areas.

We are looking forward to setting up business relationship with you and hope to provide you with the best service and solution. Let us make a better world for our industry!



Contact us

Tel: +86-755-8981 8866 Fax: +86-755-8427 6832

Email & Skype: info@chipsmall.com Web: www.chipsmall.com

Address: A1208, Overseas Decoration Building, #122 Zhenhua RD., Futian, Shenzhen, China

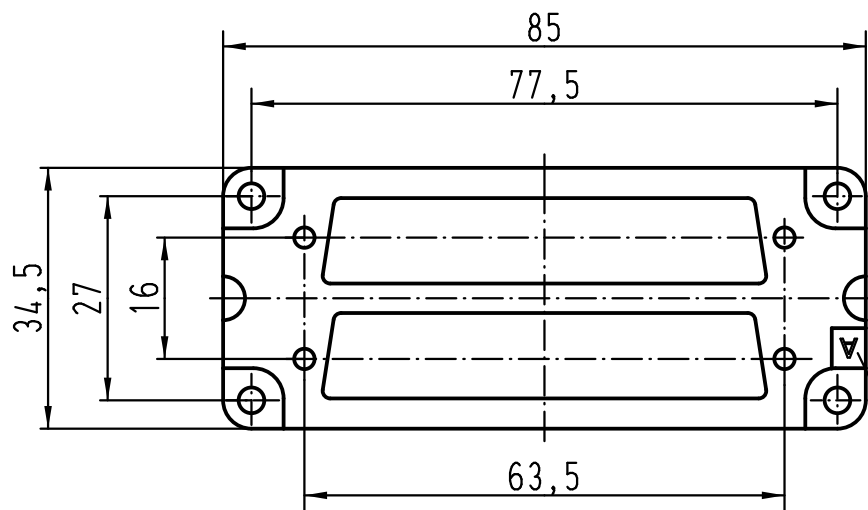


A

B

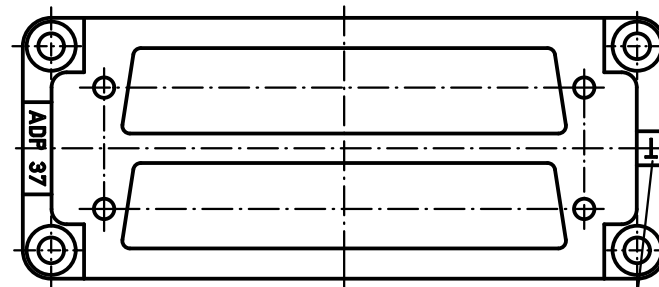
C

D

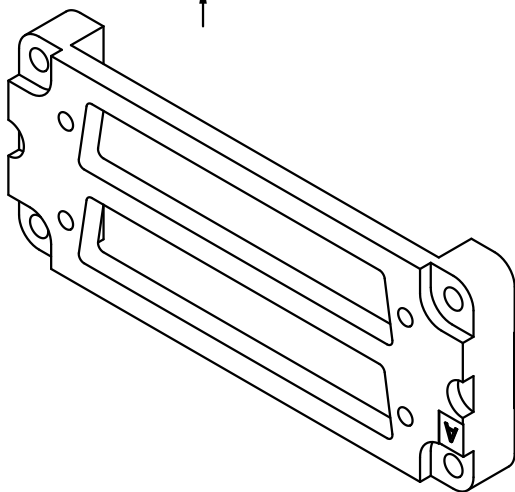
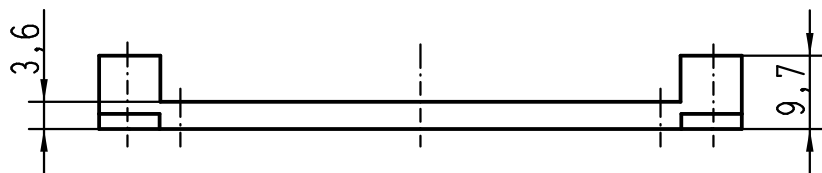


Einbau im Anbaugehäuse:
Kennbuchstabe "A" ist sichtbar
*Mounting in housing:
character "A" visible*

Rückansicht
back view



Einbau im Tüllengehäuse:
Kennbuchstabe "T" ist sichtbar
*Mounting in hood:
character "T" visible*



Zum Lieferumfang gehören

- 4 x Schrauben ISO 1481-St2,9x6,5-F
- 4 x Schrauben ISO 1207-M3x14

belongs to range of delivery

- 4 x screws ISO 1481-St2,9x6,5-F
- 4 x screws ISO 1207-M3x14

ALL Dimensions in mm Original Size DIN A 4		Techn. Character.			Nicht tolerierte Maß/Free size tolerances	
			Dat.	Name	Maßstab/Scale 1:1	2x D-Sub 37 -Adapterplatte 2x D-Sub 37 -adapter f. Han 16B - Gehäuse/hoods,housings
		Detail.	08.06.11	Rull		
		Insp.		Sch		
		Stand.				
A			HARTING Electric GmbH & Co. KG		TB 09 30 000 9973	Blatt/ page
Mod.	Dat.	Name	D-32339 Espelkamp			
					Sub. TB 09 30 000 9973 v. 05.05.99	