



Chipsmall Limited consists of a professional team with an average of over 10 year of expertise in the distribution of electronic components. Based in Hongkong, we have already established firm and mutual-benefit business relationships with customers from,Europe,America and south Asia,supplying obsolete and hard-to-find components to meet their specific needs.

With the principle of “Quality Parts,Customers Priority,Honest Operation,and Considerate Service”,our business mainly focus on the distribution of electronic components. Line cards we deal with include Microchip,ALPS,ROHM,Xilinx,Pulse,ON,Everlight and Freescale. Main products comprise IC,Modules,Potentiometer,IC Socket,Relay,Connector.Our parts cover such applications as commercial,industrial, and automotives areas.

We are looking forward to setting up business relationship with you and hope to provide you with the best service and solution. Let us make a better world for our industry!



Contact us

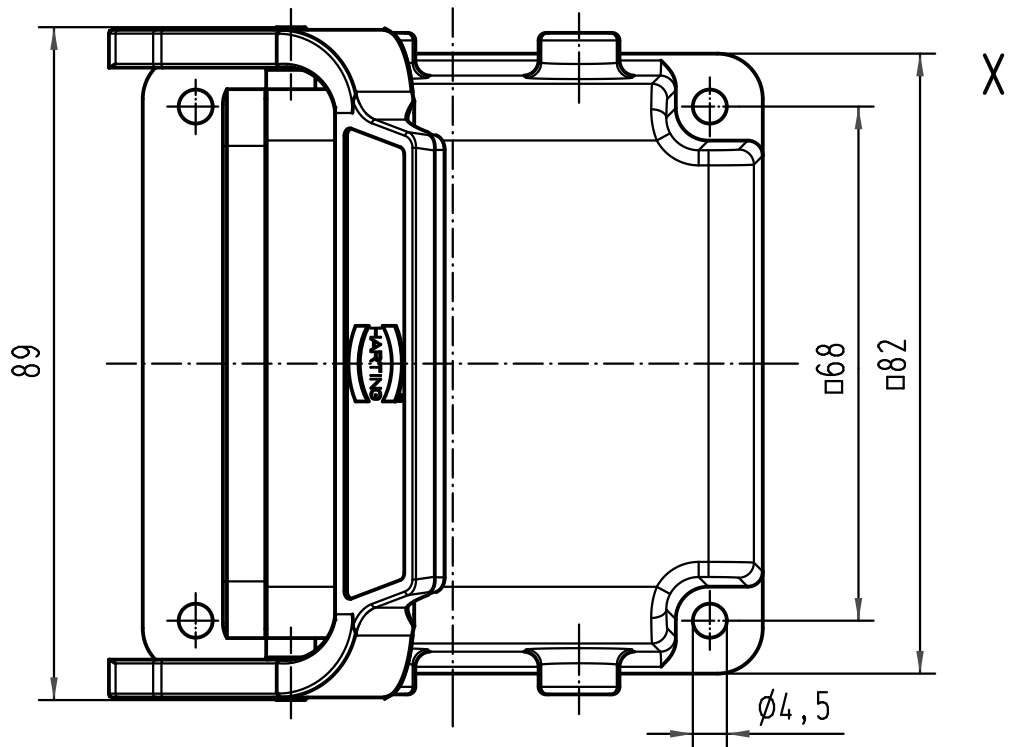
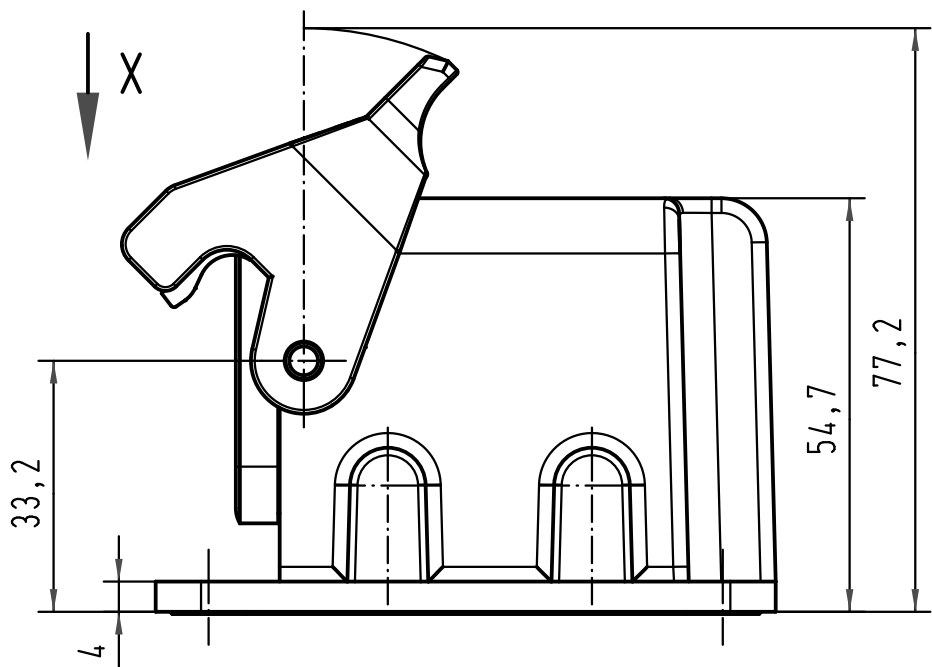
Tel: +86-755-8981 8866 Fax: +86-755-8427 6832

Email & Skype: info@chipsmall.com Web: www.chipsmall.com

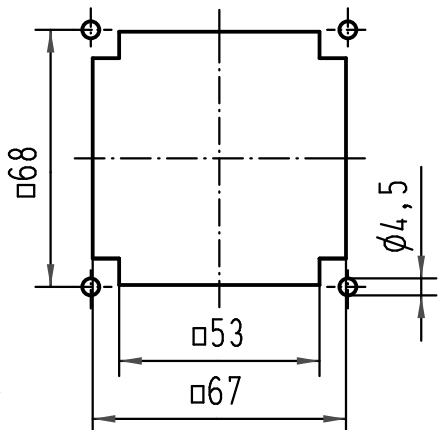
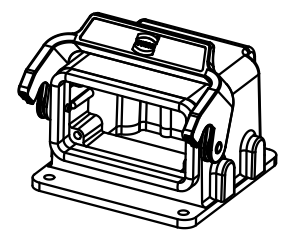
Address: A1208, Overseas Decoration Building, #122 Zhenhua RD., Futian, Shenzhen, China



5 4 3 2 1



Montageausschnitt/
panel cut out



All Dimensions in mm Original Size DIN A 4	Techn. Character.			Maßstab/Scale		Nicht tolerierte Maße/Free size tolerances Han 10B-agw-LB-68 Motoranschlußgehäuse 68/10B/ <i>motor connection housing 68/10B</i>
		Dat.	Name	1:1		
	Detail.	28.11.96	ML	1:2		TB 09 30 010 0901 Sub.
410711	06.10.03	Ho	Insp.	HERB		
26616	11.10.99	KR	Stand.			
24799	30.10.98	PL	HARTING Electric GmbH & Co. KG			
23395	03.02.98	KR	D-32339 Espelkamp			
Mod.	Dat.	Name				Blatt/ page