



Chipsmall Limited consists of a professional team with an average of over 10 year of expertise in the distribution of electronic components. Based in Hongkong, we have already established firm and mutual-benefit business relationships with customers from,Europe,America and south Asia,supplying obsolete and hard-to-find components to meet their specific needs.

With the principle of “Quality Parts,Customers Priority,Honest Operation,and Considerate Service”,our business mainly focus on the distribution of electronic components. Line cards we deal with include Microchip,ALPS,ROHM,Xilinx,Pulse,ON,Everlight and Freescale. Main products comprise IC,Modules,Potentiometer,IC Socket,Relay,Connector.Our parts cover such applications as commercial,industrial, and automotives areas.

We are looking forward to setting up business relationship with you and hope to provide you with the best service and solution. Let us make a better world for our industry!



Contact us

Tel: +86-755-8981 8866 Fax: +86-755-8427 6832

Email & Skype: info@chipsmall.com Web: www.chipsmall.com

Address: A1208, Overseas Decoration Building, #122 Zhenhua RD., Futian, Shenzhen, China



Contents	Page
Hoods/Housings, metal Han® 3 A.....	31.4
Hoods/Housings, thermoplastic Han® 3 A.....	31.10
Standard hoods/housings Han® 10-32 A	31.16
Standard hoods/housings Han® B	31.26
Han® Easy Hood hoods/housings.....	31.73
Han-Drive® hoods/housings.....	31.77
Han® 3 M hoods/housings	31.80
Han® M hoods/housings	31.84
Han® 3 EMC hoods/housings	31.97
Han® EMC hoods/housings	31.101
Han® EMC/B hoods/housings.....	31.108
Han® 3 HPR hoods/housings.....	31.118
Han® HPR hoods/housings.....	31.127
Han-INOX® hoods/housings	31.146

Han® 3 A Standard Hoods/Housings Metal hoods/housings for industrial applications

Material	zinc die-cast
Colour	RAL 7037 (grey)
Surface	powder-coated
Locking element	steel, zinc-plated
Lever type	lever, metal
Hoods/Housings seal	NBR
Limiting temperatures	-40 °C ... +125 °C
Flammability acc. to UL 94	V 0
Degree of protection acc. to DIN EN 60 529 for coupled connector	IP44 IP67 is achieved with seal screw 09 20 000 9918

Han-Drive® Housings for motor applications

Material	aluminium die-cast
Colour	non coloured / RAL 7037 (grey)
Surface	electrical conductive / powder-coated / unpainted
Locking element	stainless steel
Lever type	Han-Easy Lock®
Hoods/Housings seal	NBR
Limiting temperatures	-40 °C ... +125 °C
Approval acc. to UL 50	NEMA Type 4/4X/12
Degree of protection acc. to DIN EN 60 529 for coupled connector	IP65

Han® 3 A Hoods/Housings Plastic hoods/housings for industrial applications

Material	polycarbonate
Colour	RAL 7032 (light grey) / RAL 9005 (black)
Locking element	polyamide
Lever type	lever, plastic
Hoods/Housings seal	NBR
Limiting temperatures	-40 °C ... +125 °C
Approval acc. to UL 50	NEMA Type 4/4X/12
Flammability acc. to UL 94	V 0
Degree of protection acc. to DIN EN 60 529 for coupled connector	IP44 IP67 is achieved with seal screw 09 20 000 9918

Han® 3 M Hoods/Housings Hoods/Housings for higher environmental requirements

Material	zinc die-cast
Colour	RAL 9005 (black)
Surface	- Top coat epoxy powder paint
Locking element	stainless steel
Lever type	lever, metal
Hoods/Housings seal	FPM
Limiting temperatures	-40 °C ... +125 °C
Corrosion resistance	ASTM B117-09 (500 h)
Degree of protection acc. to DIN EN 60 529 for coupled connector	IP44 IP67 is achieved with seal screw 09 20 000 9918

Han® Standard Hoods/Housings Metal hoods/housings for industrial applications

Material	aluminium die-cast
Colour	RAL 7037 (grey)
Surface	powder-coated
Locking element	stainless steel
Lever type	Han-Easy Lock®
Hoods/Housings seal	NBR
Limiting temperatures	-40 °C ... +125 °C
Approval acc. to UL 50	NEMA Type 4/4X/12
Degree of protection acc. to DIN EN 60 529 for coupled connector	IP65

Han® M Hoods/Housings Hoods/Housings for higher environmental requirements

Material	aluminium die-cast
Colour	RAL 9005 (black)
Surface	- Top coat epoxy powder paint
Locking element	stainless steel
Lever type	lever, metal
Hoods/Housings seal	FPM
Limiting temperatures	-40 °C ... +125 °C
Approval acc. to UL 50	NEMA Type 4/4X/12
Corrosion resistance	ASTM B117-09 (500 h)
Degree of protection acc. to DIN EN 60 529 for coupled connector	IP65

Han® 3 EMC Hoods/Housings Hoods/Housings for higher EMC requirements

Material	zinc die-cast
Colour	non coloured
Surface	electrical conductive
Locking element	steel, zinc-plated
Lever type	lever, metal
Hoods/Housings seal	NBR
Limiting temperatures	-40 °C ... +125 °C
Degree of protection acc. to DIN EN 60 529 for coupled connector	IP44 IP67 is achieved with seal screw 09 20 000 9918

Han-INOX® Hoods/Housings for higher corrosion requirements

Material	stainless steel
Colour	non coloured
Surface	electrical conductive
Locking element	stainless steel
Lever type	lever, metal
Hoods/Housings seal	NBR
Limiting temperatures	-40 °C ... +125 °C
Degree of protection acc. to DIN EN 60 529 for coupled connector	IP65 IP44 IP67 is achieved with seal screw 09 20 000 9918
- Size Han® 3 A	

Han® EMC Hoods/Housings Hoods/Housings for higher EMC requirements

Material	aluminium die-cast
Colour	non coloured
Surface	electrical conductive
Locking element	
- Screw locking	M5
- Material	stainless steel
- Tightening torque	3 Nm
Hoods/Housings seal	NBR
Limiting temperatures	-40 °C ... +125 °C
Approval acc. to UL 50	NEMA Type 4/4X/12
Degree of protection acc. to DIN EN 60 529 for coupled connector	IP65

Han® 3 HPR Hoods/Housings Hoods/Housings for harsh environmental requirements

Material	zinc die-cast
Colour	RAL 9005 (black)
Surface	
- Top coat	epoxy powder paint / chromated
Locking element	
- Screw locking	M4
- Material	stainless steel
- Tightening torque	2 Nm
Hoods/Housings seal	NBR
Limiting temperatures	-40 °C ... +125 °C
Corrosion resistance	ASTM B117-09 (500 h)
Degree of protection acc. to DIN EN 60 529 for coupled connector	IP68 / IP69K

Attention
The sealing on the insert has to be removed.
The sealing screw of the insulation body must be replaced by the sealing screw of the hood.

Han® EMC/B Hoods/Housings Hoods/Housings for higher EMC requirements

Material	
- Hoods/Housings	aluminium die-cast
- shielded frames	zinc die-cast alloy
Colour	non coloured
Surface	
- Hoods/Housings	electrical conductive
- shielded frames	electrical conductive
Locking element	stainless steel
Lever type	Han-Easy Lock®
Hoods/Housings seal	NBR
Limiting temperatures	-40 °C ... +125 °C
Approval acc. to UL 50	NEMA Type 4/4X/12
Degree of protection acc. to DIN EN 60 529 for coupled connector	IP65

Han® HPR Hoods/Housings Hoods/Housings for harsh environmental requirements

Material	aluminium die-cast, corrosion resistant
Colour	RAL 9005 (black)
Surface	
- Top coat	epoxy powder paint
Locking element	
- Screw locking	M6
- Material	stainless steel
- Tightening torque	4 Nm
- Toggle locking	
- Material	stainless steel
Hoods/Housings seal	NBR
Limiting temperatures	-40 °C ... +125 °C
Approval acc. to UL 50	NEMA Type 4/4X/12
Corrosion resistance	ASTM B117-09 (500 h)
Degree of protection acc. to DIN EN 60 529 for coupled connector	IP68 / IP69K (does not apply to Han® 48 HPR)

Features

- Metal hoods/housings for industrial applications

Technical characteristics

Limiting temperatures	-40 °C ... 125 °C
Degree of protection acc. to IEC 60529	IP44 / IP67 is achieved with seal screw 09 20 000 9918
Material (hoods/housings)	zinc die-cast
Surface (hoods/housings)	powder-coated
Colour (hoods/housings)	RAL 7037 (grey)
Material (locking lever)	steel, zinc-plated
Material (seal)	NBR

Specifications and approvals


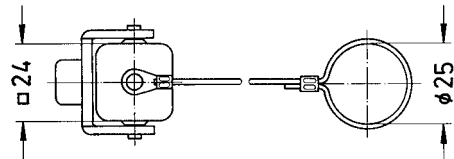

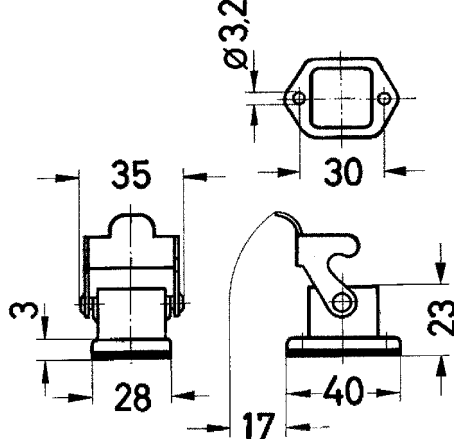

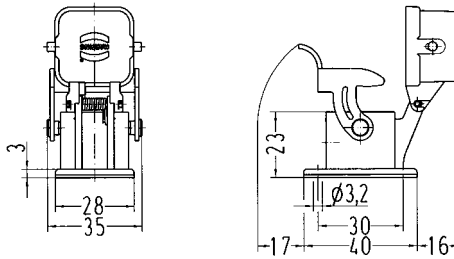

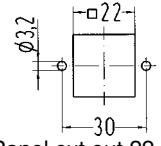





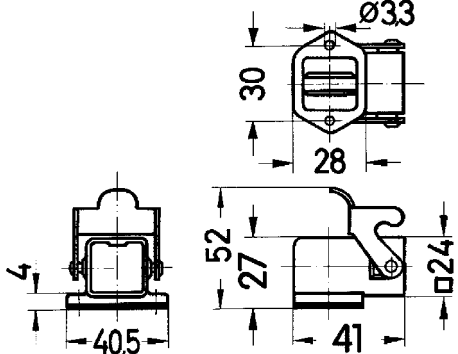

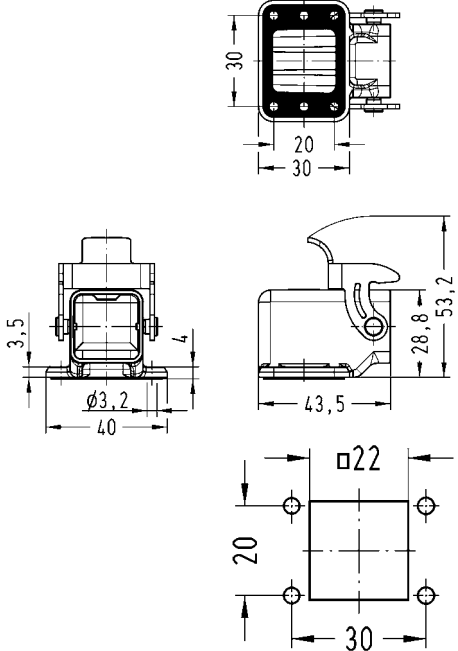

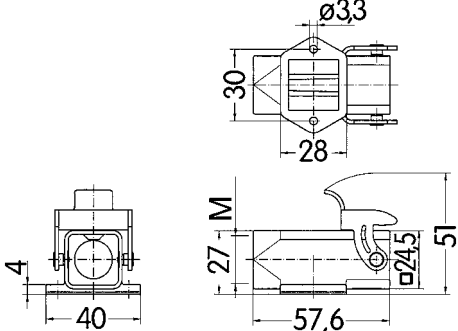
Metal hoods/housings for industrial applications
double locking lever

Identification	Cable entry	Part number	Drawing Dimensions in mm
Han A® , Hoods, top entry	1xM20	19 20 003 1440	
Han A® , Hoods, side entry	1xM20	19 20 003 1640	
Han A® , Hood with integrated cable gland, top entry	6...12 mm 11...17 mm	19 20 003 1421 19 20 003 1422	
Han A® , Protection cover for hoods, for mounted female insert, metal, with securing flex, with sealing		09 20 003 5421	



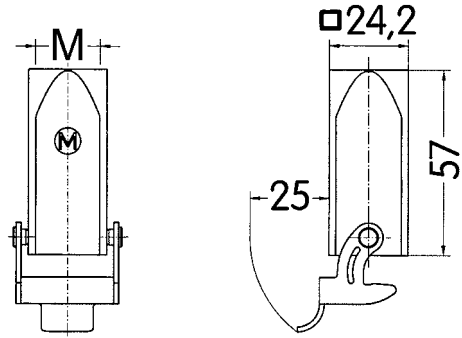

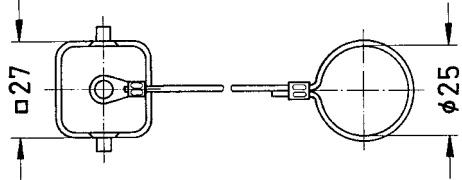

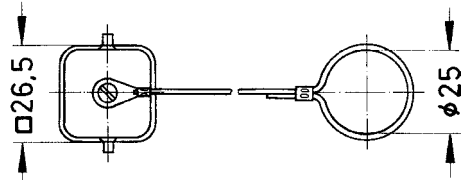
Hoods
Housings

Identification	Cable entry	Part number	Drawing Dimensions in mm
<p>Han A®, Protection cover for hoods, for mounted male insert or for mounted Han-Brid® insert, metal, with securing flex</p> 		09 20 003 5422	
<p>Han A®, Bulkhead mounted housings, straight</p> 		09 20 003 0301	 <p>Panel cut out 22 x 22 mm</p>
<p>Han A®, Bulkhead mounted housings, straight, with metal cover, for male inserts</p> 		09 20 003 0305	 <p>Panel cut out 22 x 22 mm</p>
<p>Han A®, Bulkhead mounted housings, straight, with sealing, for female inserts</p> 		09 20 003 0306	 <p>Panel cut out 22 x 22 mm</p>


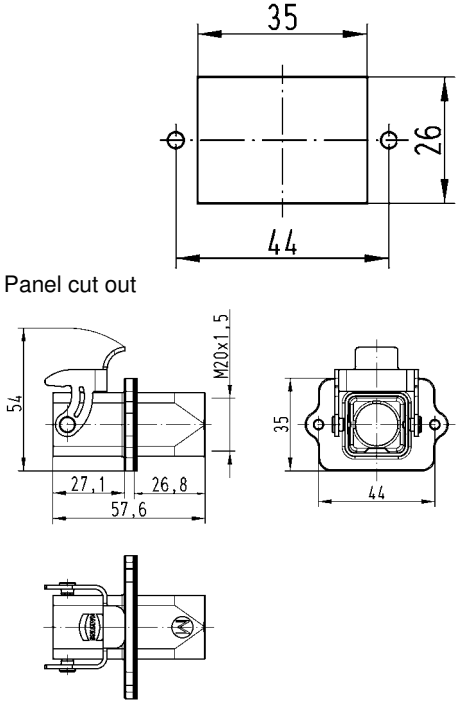

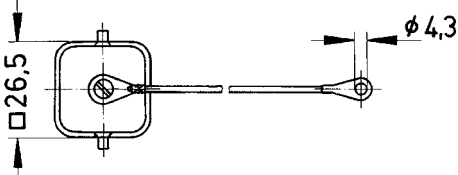

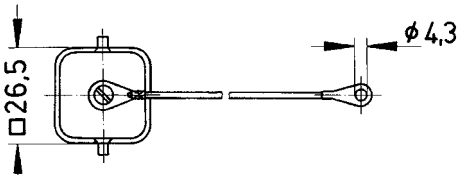

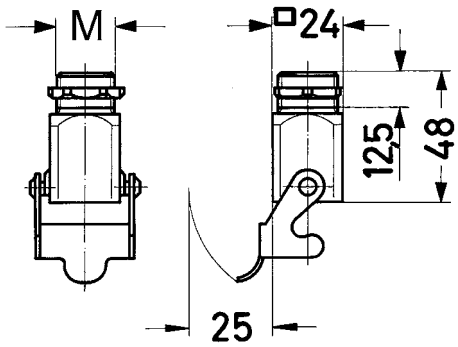
Hoods
Housings

Identification	Cable entry	Part number	Drawing Dimensions in mm
<p>Han A®, Bulkhead mounted housings, angled, 2 fixing screws</p> 		09 20 003 0801	 <p>Panel cut out 22 x 22 mm</p>
<p>Han A®, Bulkhead mounted housings, angled, 4 fixing screws</p> 		09 20 003 0810	 <p>Panel cut out 22 x 22 mm</p>
<p>Han A®, Surface mounted housings, top entry, open bottom</p> 	1xM20	19 20 003 1250	 <p>Panel cut out 22 x 22 mm</p>



Identification	Cable entry	Part number	Drawing Dimensions in mm
Han A®, Surface mounted housings, top entry, bottom closed 	1xM20	19 20 003 1252	
Han A®, Cable to cable housings, top entry 	1xM20	19 20 003 1750	
Han A®, Protection cover for cable to cable hous- ings, for mounted female insert or for mounted Han-Brid® insert, metal, with securing flex, with sealing 		09 20 003 5427	
Han A®, Protection cover for cable to cable hous- ings, metal, with securing flex 		09 20 003 5428	

Hoods
Housings

Identification	Cable entry	Part number	Drawing Dimensions in mm
<p>Han A®, Panel feed through housings, top entry</p> 	<p>1xM20</p>	<p>19 20 003 1120</p>	 <p>Panel cut out</p>
<p>Han A®, Protection cover for housings, for mounted female insert or for mounted Han-Brid® insert, metal, with securing flex, with sealing</p> 		<p>09 20 003 5425</p>	
<p>Han A®, Protection cover for housings, for mounted male insert, metal, with securing flex</p> 		<p>09 20 003 5426</p>	
<p>Han A®, Screw mounted housings, top entry</p> 	<p>1xM20</p>	<p>19 20 003 1150</p>	

Features

- Plastic hoods/housings for industrial applications


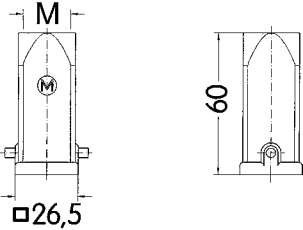

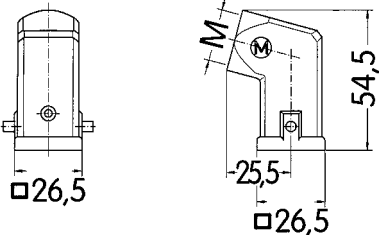

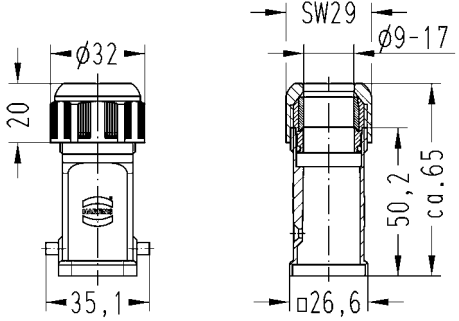
Technical characteristics

Limiting temperatures	-40 °C ... 125 °C
Flammability (hoods/housings) acc. to UL 94	V 0
Flammability (locking lever) acc. to UL 94	V 0
Protection class acc. to UL 50	NEMA type 4/4X/12
Degree of protection acc. to IEC 60529	IP44 / IP67 is achieved with seal screw 09 20 000 9918
Material (hoods/housings)	polycarbonate
Colour (hoods/housings)	RAL 7032 (light grey), RAL 9005 (black)
Material (locking lever)	polyamide
Colour (locking lever)	RAL 7032 (light grey), RAL 9005 (black)
Material (seal)	NBR

Specifications and approvals


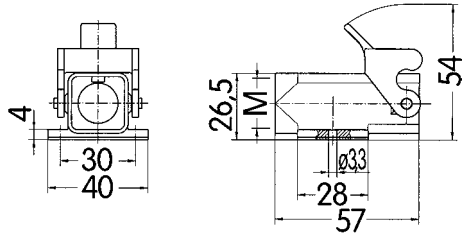
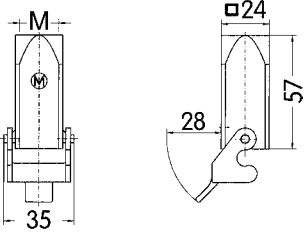

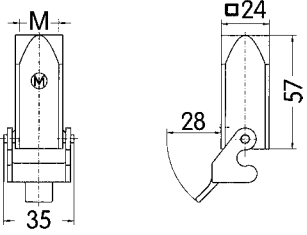
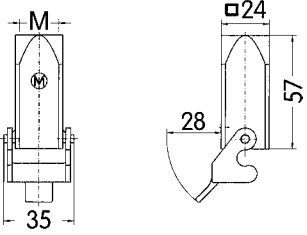


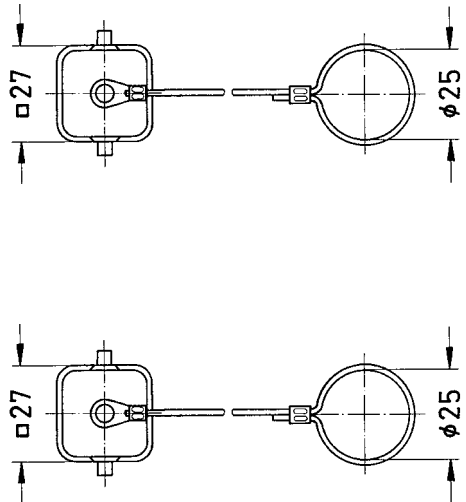


Plastic hoods/housings for industrial applications
double locking lever


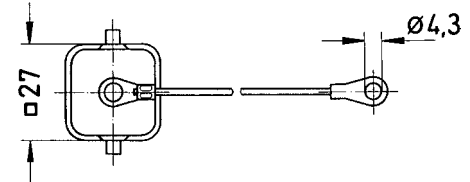


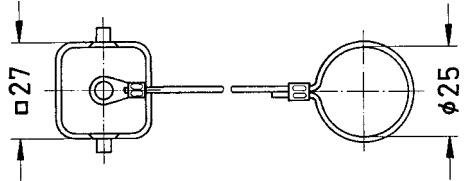


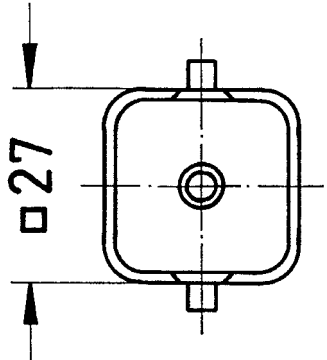
Identification	Cable entry	Part number	Drawing Dimensions in mm
Han A® , Hoods, top entry 	1xM20	19 20 003 0420	
Han A® , Hoods, top entry, black	1xM20	19 20 003 0427	
Han A® , Hoods, side entry 	1xM20	19 20 003 0620	
Han A® , Hoods, side entry, black	1xM20	19 20 003 0627	
Han A® , Hood with integrated cable gland, top entry 		19 20 003 0410	
Han A® , Hood with integrated cable gland, top entry, black		19 20 003 0418	

Identification	Cable entry	Part number	Drawing Dimensions in mm
Han A®, Protection cover for hoods, for mounted female insert or for mounted Han-Brid® insert, plastic, with securing flex, with sealing		09 20 003 5441	
Han A®, Protection cover for hoods, for mounted male insert or for mounted Han-Brid® insert, plastic, with securing flex		09 20 003 5442	
Han A®, Bulkhead mounted housings, straight		09 20 003 0320	<p>Panel cut out 22 x 22 mm</p>
Han A®, Bulkhead mounted housings, angled		09 20 003 0820	<p>Panel cut out 22 x 22 mm</p>
Han A®, Bulkhead mounted housings, straight, black		09 20 003 0327	
Han A®, Bulkhead mounted housings, angled, black		09 20 003 0827	



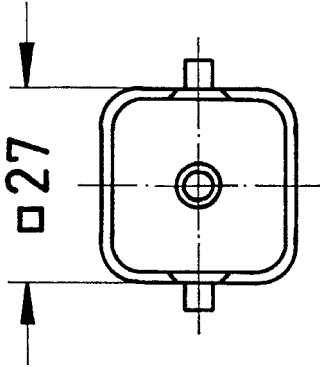
Hoods
Housings

Identification	Cable entry	Part number	Drawing Dimensions in mm
<p>Han A®, Surface mounted housings, top entry</p> 	<p>1xM20</p>	<p>19 20 003 0220</p>	 <p>Panel cut out 22 x 22 mm</p>
<p>Han A®, Surface mounted housings, top entry, black</p>	<p>1xM20</p>	<p>19 20 003 0227</p>	
<p>Han A®, Cable to cable housings, top entry</p> 	<p>1xM20</p>	<p>19 20 003 0720</p>	
<p>Han A®, Cable to cable housings, top entry, black</p>	<p>1xM20</p>	<p>19 20 003 0727</p>	
<p>Han A®, Protection cover for cable to cable hous- ings, for mounted female insert, plastic, with sealing, with securing flex</p>  <p>Han A®, Protection cover for cable to cable hous- ings, for mounted male insert, plastic, with securing flex</p> 		<p>09 20 003 5447</p> <p>09 20 003 5448</p>	



Identification	Cable entry	Part number	Drawing Dimensions in mm
<p>Han A®, Protection cover for housings, for mounted female insert, plastic, with sealing, with securing flex</p> 		09 20 003 5445	
<p>Han A®, Protection cover for housings, for mounted male insert, plastic, with securing flex</p> 		09 20 003 5446	
<p>Han A®, Protection cover for housings, for mounted female insert, plastic, with sealing, with securing flex, black</p> 		09 20 003 5449	
<p>Han A®, Protection cover for housings, for mounted male insert, plastic, with securing flex, black</p> 		09 20 003 5450	
<p>Han A®, Protection cover for housings, plastic</p> 		09 20 003 5407	

Hoods
Housings

Identification	Cable entry	Part number	Drawing Dimensions in mm
<p>Han A®, Protection cover for housings, for mounted female insert or for mounted Han-Brid® insert, plastic, with sealing</p> 		09 20 003 5408	
<p>Han A®, Protection cover, for mounted female insert or for mounted Han-Brid® insert, plastic, with sealing, black</p> 		09 20 003 5409	

Features

- Metal hoods/housings for industrial applications


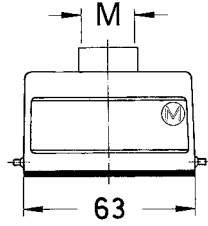
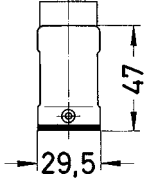

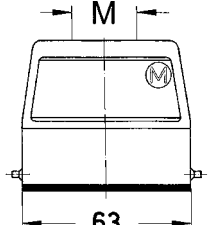
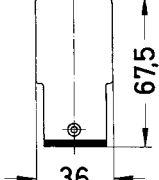

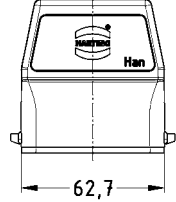
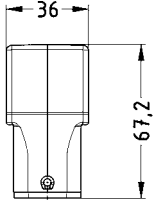
Technical characteristics

Limiting temperatures	-40 °C ... 125 °C
Flammability (locking lever) acc. to UL 94	V 0
Protection class acc. to UL 50	NEMA type 4/4X/12
Degree of protection acc. to IEC 60529	IP65
Material (hoods/housings)	aluminium
Colour (hoods/housings)	RAL 7037 (grey)
Material (locking lever)	polycarbonate + stainless steel
Colour (locking lever)	RAL 7037 (grey)
Material (seal)	NBR

Specifications and approvals


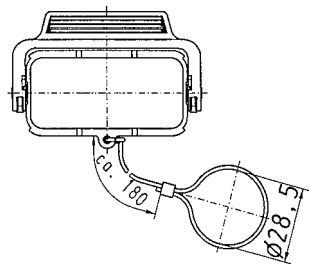

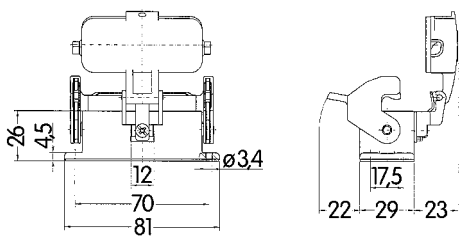

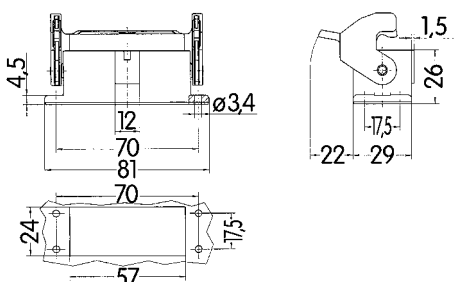

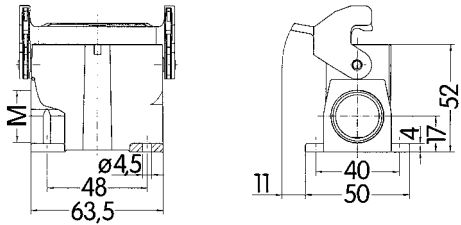

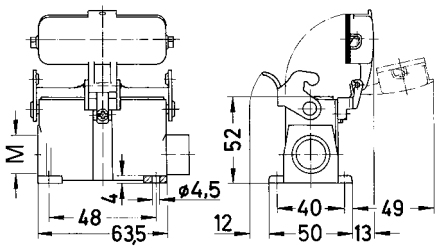
Ⓜ

Metal hoods/housings for industrial applications
single locking lever


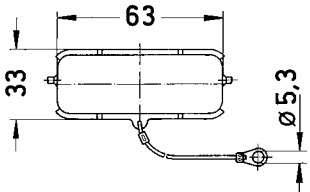
Identification	Cable entry	Part number		Drawing Dimensions in mm	
		Low construction	High construction		
Han A®, Hoods, top entry 	1xM20 1xM25	19 20 010 1440	19 20 010 0446		
Han A®, Hoods, side entry 	1xM20 1xM25	19 20 010 1540	19 20 010 0546		
Han A®, Hoods, without cable entry 			09 20 010 0801		

Hoods
Housings


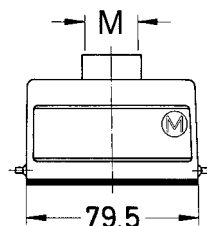
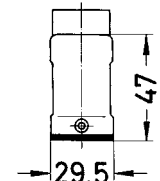

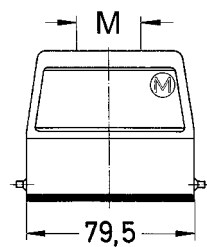
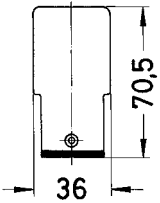
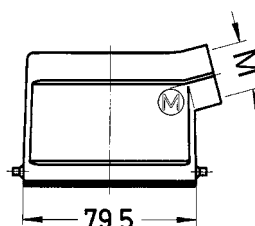
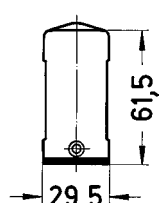
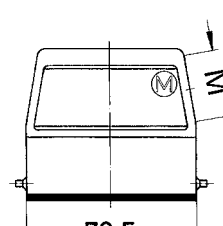
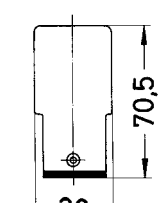




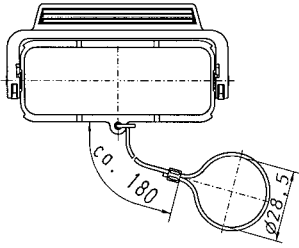

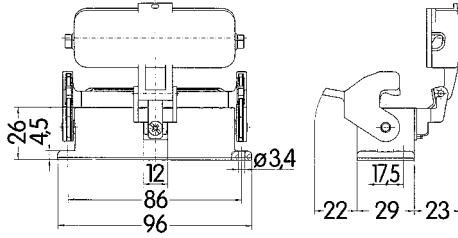

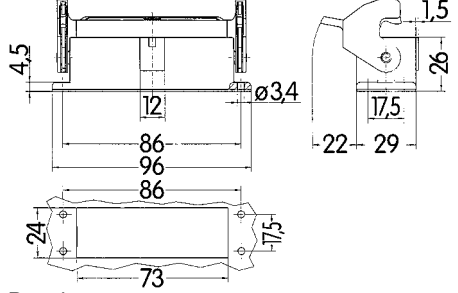

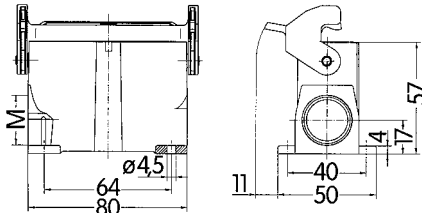
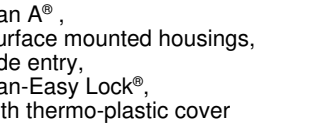
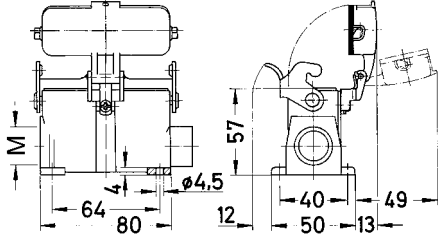
Identification	Cable entry	Part number		Drawing Dimensions in mm
		Low construction	High construction	
Han A®, Protection cover for hoods, metal, Han-Easy Lock®, with securing flex 		09 20 010 5423	09 20 010 5423	
Han A®, Bulkhead mounted housings, Han-Easy Lock®, with thermo-plastic cover 		09 20 010 0321		
Han A®, Bulkhead mounted housings, Han-Easy Lock® 		09 20 010 0301		 <p>Panel cut out</p>
Han A®, Surface mounted housings, side entry, Han-Easy Lock® 	1xM25 2xM20	19 20 010 0251 19 20 010 0290		
Han A®, Surface mounted housings, side entry, Han-Easy Lock®, with thermo-plastic cover 	2xM20		19 20 010 0295	

Hoods
Housings

Identification	Cable entry	Part number		Drawing Dimensions in mm
		Low construction	High construction	
Han A®, Cover for housings, metal, with securing flex 		09 20 010 5425	09 20 010 5425	


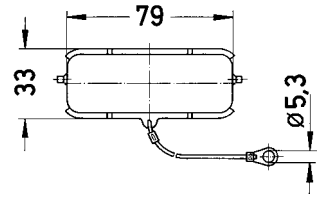
Metal hoods/housings for industrial applications
single locking lever

Identification	Cable entry	Part number		Drawing Dimensions in mm	
		Low construction	High construction		
Han A®, Hoods, top entry 	1xM20 1xM25	19 20 016 1440	19 20 016 0446		
Han A®, Hoods, side entry 	1xM20 1xM25	19 20 016 1540	19 20 016 0546		
Hoods Housings					
					
Han A®, Hoods, without cable entry 			09 20 016 0801		

Identification	Cable entry	Part number		Drawing Dimensions in mm
		Low construction	High construction	
Han A®, Protection cover for hoods, metal, Han-Easy Lock®, with securing flex 		09 20 016 5423	09 20 016 5423	
Han A®, Bulkhead mounted housings, Han-Easy Lock®, with thermo-plastic cover 		09 20 016 0321		
Han A®, Bulkhead mounted housings, Han-Easy Lock® 		09 20 016 0301		 <p>Panel cut out</p>
Han A®, Surface mounted housings, side entry, Han-Easy Lock® 	1xM25 2xM20 2xM25	19 20 016 0251 19 20 016 0290 19 20 016 0291		
Han A®, Surface mounted housings, side entry, Han-Easy Lock®, with thermo-plastic cover 	2xM20	19 20 016 0295		


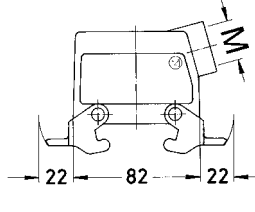
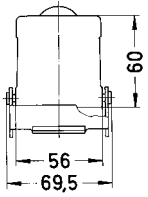

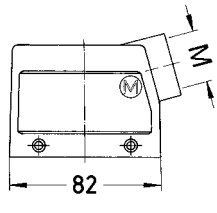
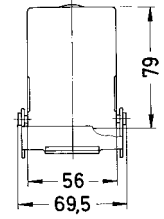

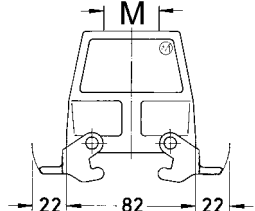
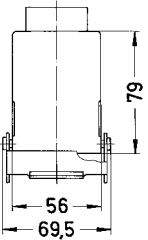
Hoods
Housings




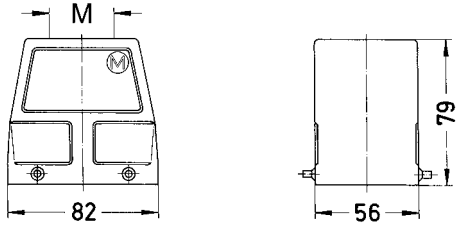

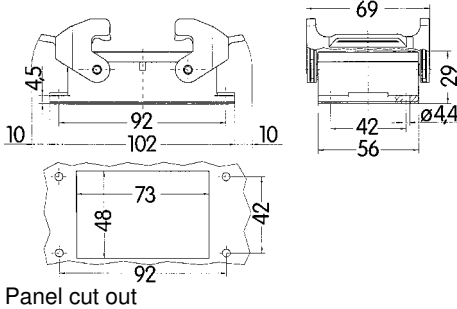

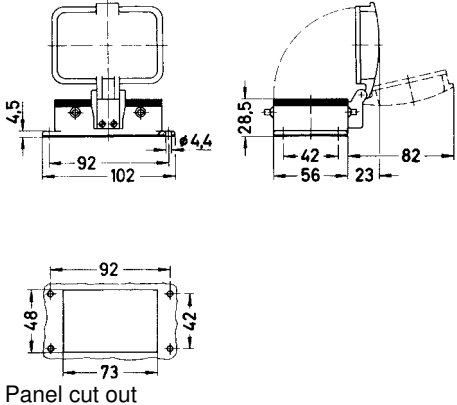

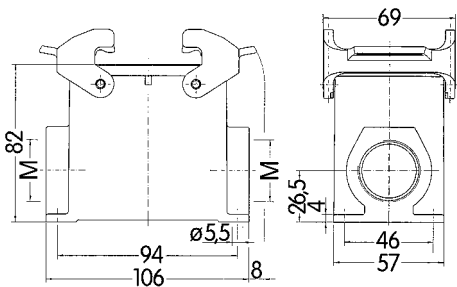
Identification	Cable entry	Part number		Drawing Dimensions in mm
		Low construction	High construction	
Han A®, Cover for housings, metal, with securing flex 		09 20 016 5425	09 20 016 5425	

Hoods
Housings


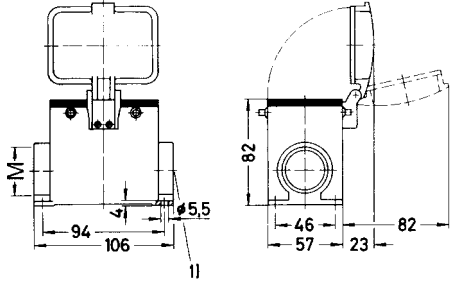



Metal hoods/housings for industrial applications
double locking lever

Identification	Cable entry	Part number		Drawing Dimensions in mm	
		Low construction	High construction		
Han A®, Hoods, side entry, Han-Easy Lock® 	1xM25 1xM32	19 20 032 1531	19 20 032 0537		
Han A®, Hoods, side entry 	1xM25 1xM32	19 20 032 1521	19 20 032 0527		
Han A®, Hoods, top entry, Han-Easy Lock® 	1xM32		19 20 032 0437		

Hoods
Housings

Identification	Cable entry	Part number		Drawing Dimensions in mm
		Low construction	High construction	
Han A®, Hoods, top entry 	1xM25 1xM32		19 20 032 0426 19 20 032 0427	
Han A®, Bulkhead mounted housings, Han-Easy Lock® 		09 20 032 0301		 <p>Panel cut out</p>
Han A®, Bulkhead mounted housings, with thermo-plastic cover 		09 20 032 0302		 <p>Panel cut out</p>
Han A®, Surface mounted housings, side entry, Han-Easy Lock® 	1xM25 1xM32 2xM32		19 20 032 0231 19 20 032 0232 19 20 032 0272	

Hoods
Housings

Identification	Cable entry	Part number		Drawing Dimensions in mm
		Low construction	High construction	
Han A®, Surface mounted housings, side entry, with thermo-plastic cover 	1xM25		19 20 032 0226	 <p>1) Blind way for one cable entry</p>
Han A®, Protection cover for housings, metal 		09 20 032 5405	09 20 032 5405	
Han A®, Protection cover for hoods, metal 		09 20 032 5401	09 20 032 5401	