



Chipsmall Limited consists of a professional team with an average of over 10 year of expertise in the distribution of electronic components. Based in Hongkong, we have already established firm and mutual-benefit business relationships with customers from,Europe,America and south Asia,supplying obsolete and hard-to-find components to meet their specific needs.

With the principle of “Quality Parts,Customers Priority,Honest Operation,and Considerate Service”,our business mainly focus on the distribution of electronic components. Line cards we deal with include Microchip,ALPS,ROHM,Xilinx,Pulse,ON,Everlight and Freescale. Main products comprise IC,Modules,Potentiometer,IC Socket,Relay,Connector.Our parts cover such applications as commercial,industrial, and automotives areas.

We are looking forward to setting up business relationship with you and hope to provide you with the best service and solution. Let us make a better world for our industry!



## Contact us

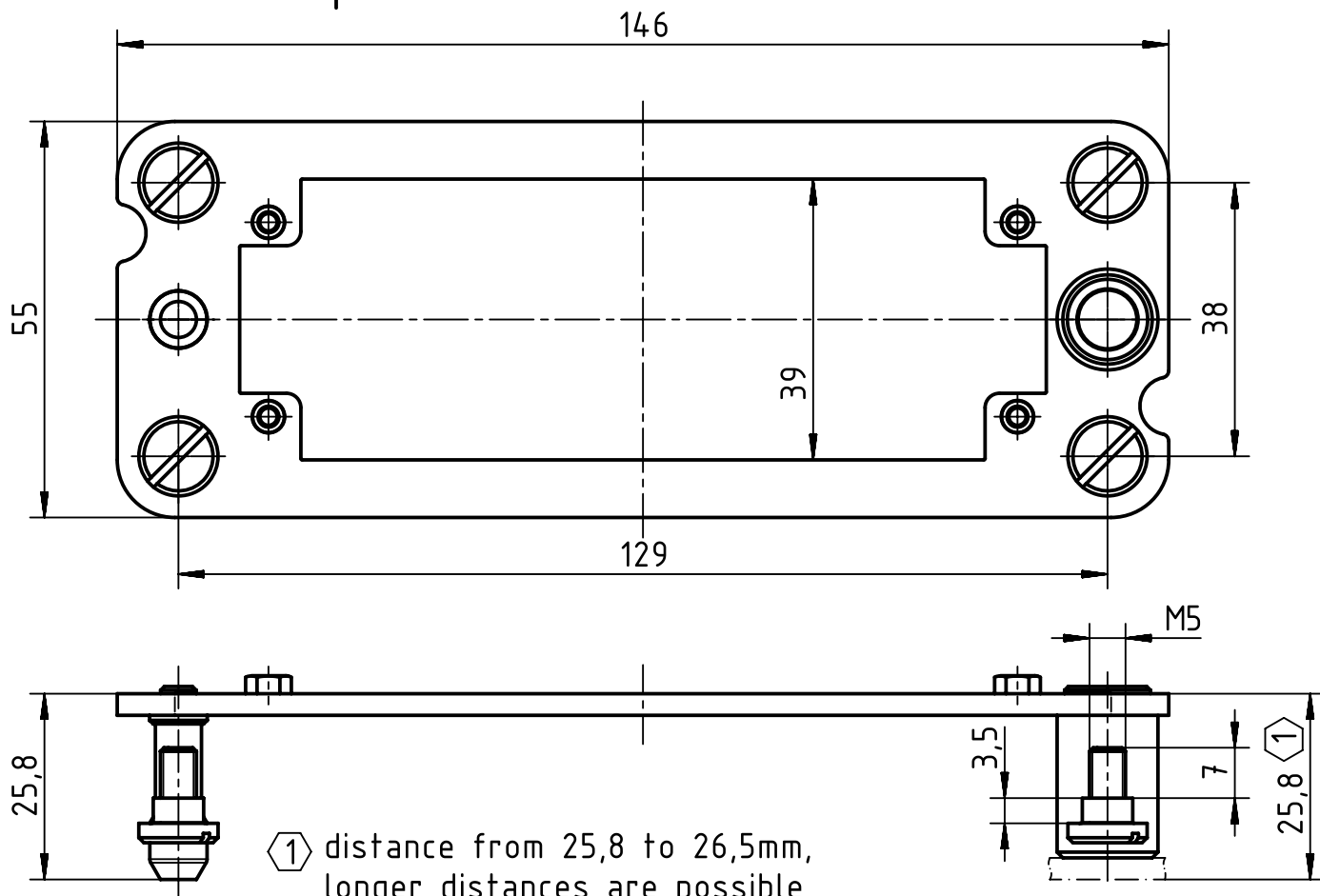
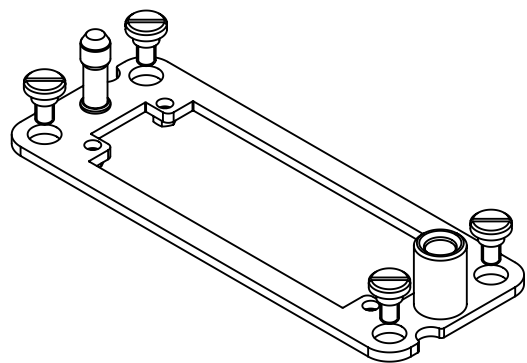
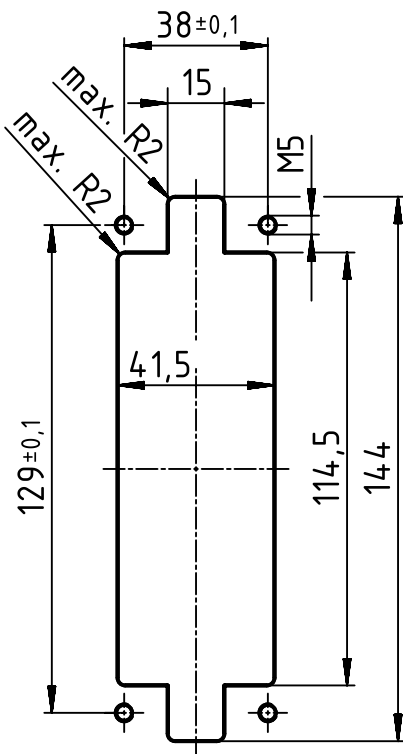
Tel: +86-755-8981 8866 Fax: +86-755-8427 6832

Email & Skype: info@chipsmall.com Web: www.chipsmall.com


Address: A1208, Overseas Decoration Building, #122 Zhenhua RD., Futian, Shenzhen, China



panel cut out (1:2)



① distance from 25,8 to 26,5mm, longer distances are possible depending on the specific connector insert  
kind of delivery: piece parts

	All rights reserved Department EL PD - DE	All Dimensions in mm Original Size DIN A4		Scale 1:1	Free size tol.	Ref. Sub.
		Created by FINKEV	Inspected by BERGHORN	Standardisation TIEMANNA	Date 2016-03-21	State Final Release
HARTING Electric GmbH & Co. KG D-32339 Espelkamp		Title Han 24B Docking Frame			Doc-Key / ECM-Nr. 100129393/UGD/005/F 500000102021	
		Type TB	Number 09 30 024 1701		Rev. F	Page 1/1