



Chipsmall Limited consists of a professional team with an average of over 10 year of expertise in the distribution of electronic components. Based in Hongkong, we have already established firm and mutual-benefit business relationships with customers from,Europe,America and south Asia,supplying obsolete and hard-to-find components to meet their specific needs.

With the principle of “Quality Parts,Customers Priority,Honest Operation,and Considerate Service”,our business mainly focus on the distribution of electronic components. Line cards we deal with include Microchip,ALPS,ROHM,Xilinx,Pulse,ON,Everlight and Freescale. Main products comprise IC,Modules,Potentiometer,IC Socket,Relay,Connector.Our parts cover such applications as commercial,industrial, and automotives areas.

We are looking forward to setting up business relationship with you and hope to provide you with the best service and solution. Let us make a better world for our industry!



Contact us

Tel: +86-755-8981 8866 Fax: +86-755-8427 6832

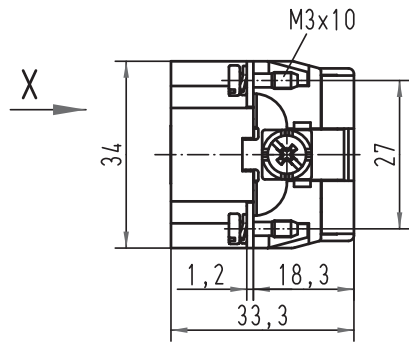
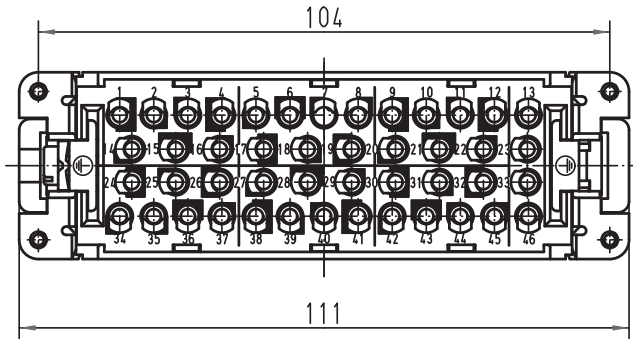
Email & Skype: info@chipsmall.com Web: www.chipsmall.com

Address: A1208, Overseas Decoration Building, #122 Zhenhua RD., Futian, Shenzhen, China

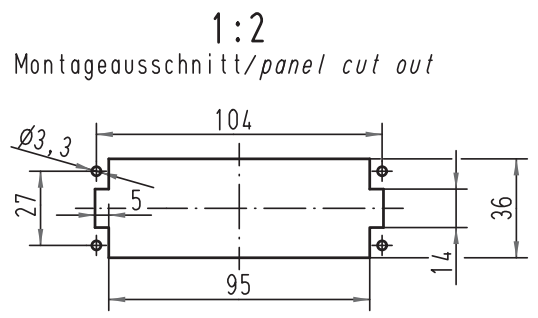
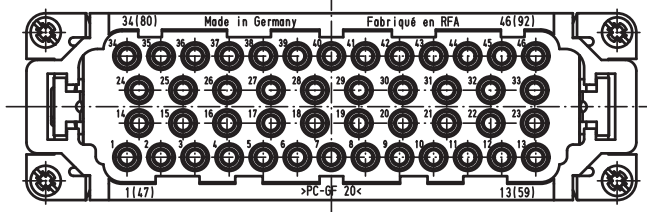


Alle Rechte vorbehalten/ All rights reserved

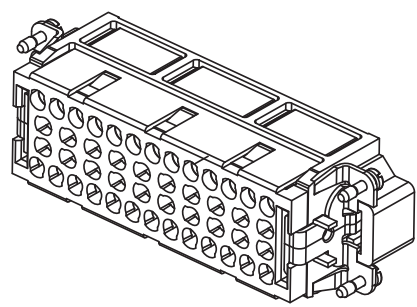
5 4 3 2 1



X (um 180° gedreht)



1:2
Montageausschnitt/panel cut out



	All Dimensions in mm Original Size DIN A 4			Techn. Character.			Nicht tolerierte Maß/Free size tolerances			
					Dat.	Name	Maßstab/Scale			
				Detail.	07.04.98	SPER	1:1			
				Insp.		SDT				
413926	11.06.08	ML	Stand.			Han 46EE-M-c Stifteinsatz/male insert Sonderbedruckung/special design				
413214	15.10.07	Rull								
26133	08.07.99	PL				TB 09 32 046 3009				
Mod.	Dat.	Name							Sub.	
				HARTING Electric GmbH & Co. KG D-32339 Espelkamp						Blatt/page