



Chipsmall Limited consists of a professional team with an average of over 10 year of expertise in the distribution of electronic components. Based in Hongkong, we have already established firm and mutual-benefit business relationships with customers from,Europe,America and south Asia,supplying obsolete and hard-to-find components to meet their specific needs.

With the principle of “Quality Parts,Customers Priority,Honest Operation,and Considerate Service”,our business mainly focus on the distribution of electronic components. Line cards we deal with include Microchip,ALPS,ROHM,Xilinx,Pulse,ON,Everlight and Freescale. Main products comprise IC,Modules,Potentiometer,IC Socket,Relay,Connector.Our parts cover such applications as commercial,industrial, and automotives areas.

We are looking forward to setting up business relationship with you and hope to provide you with the best service and solution. Let us make a better world for our industry!



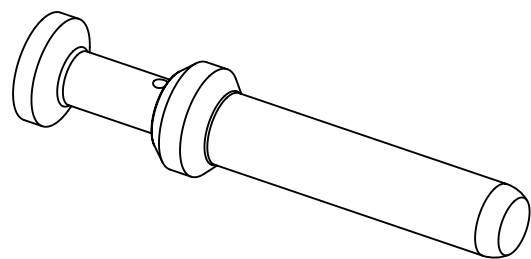
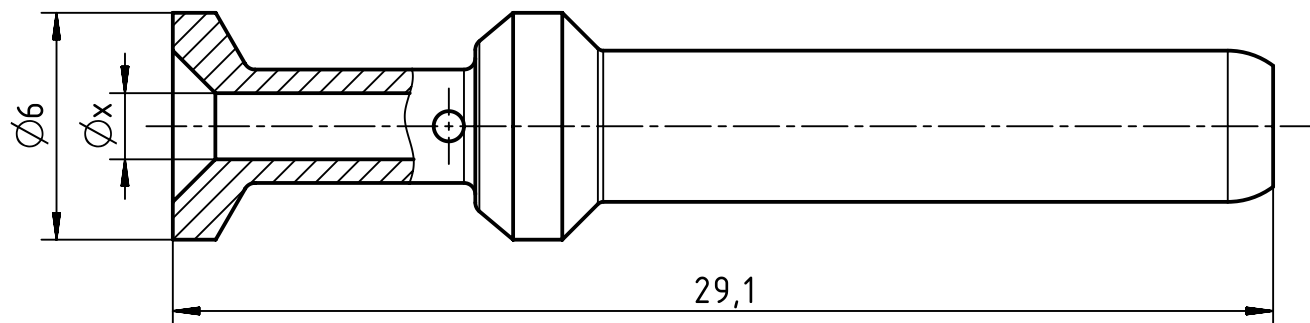
Contact us

Tel: +86-755-8981 8866 Fax: +86-755-8427 6832

Email & Skype: info@chipsmall.com Web: www.chipsmall.com

Address: A1208, Overseas Decoration Building, #122 Zhenhua RD., Futian, Shenzhen, China





Part No.	øx	wire gauge [mm ²]	AWG	stripping length
09 32 200 6114	1,75	1,5	16	9,5
09 32 200 6115	2,25	2,5	14	9,5
09 32 200 6116	2,55	3	12	9,5
09 32 200 6119	2,85	4	12	9,5
09 32 200 6118	3,5	6	10	9,5
09 32 200 6117	4,3	10	8	12



All Dimensions in mm
Original Size DIN A4

Scale
5:1

Free size tol.

Ref.

Sub.



All rights reserved

Department EL PD - DE

Created by
HOLLERT

Inspected by
RIEPE

Standardisation
RUETERA

Date
2016-08-23

State
Final Release

Title
Han C HMC male kontakt-c

Doc-Key / ECM-Nr.
100626868/UGD/001/C
500000107961

HARTING Electric GmbH & Co. KG
D-32339 Espelkamp

Type
TB

Number
09 32 200 61XX

Rev.
C

Page
1/1