



Chipsmall Limited consists of a professional team with an average of over 10 year of expertise in the distribution of electronic components. Based in Hongkong, we have already established firm and mutual-benefit business relationships with customers from,Europe,America and south Asia,supplying obsolete and hard-to-find components to meet their specific needs.

With the principle of “Quality Parts,Customers Priority,Honest Operation,and Considerate Service”,our business mainly focus on the distribution of electronic components. Line cards we deal with include Microchip,ALPS,ROHM,Xilinx,Pulse,ON,Everlight and Freescale. Main products comprise IC,Modules,Potentiometer,IC Socket,Relay,Connector.Our parts cover such applications as commercial,industrial, and automotives areas.

We are looking forward to setting up business relationship with you and hope to provide you with the best service and solution. Let us make a better world for our industry!



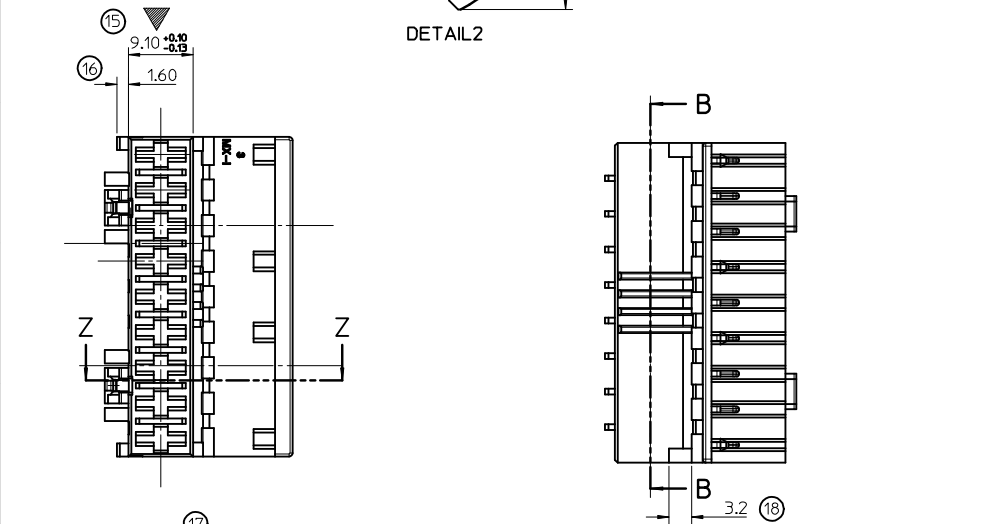
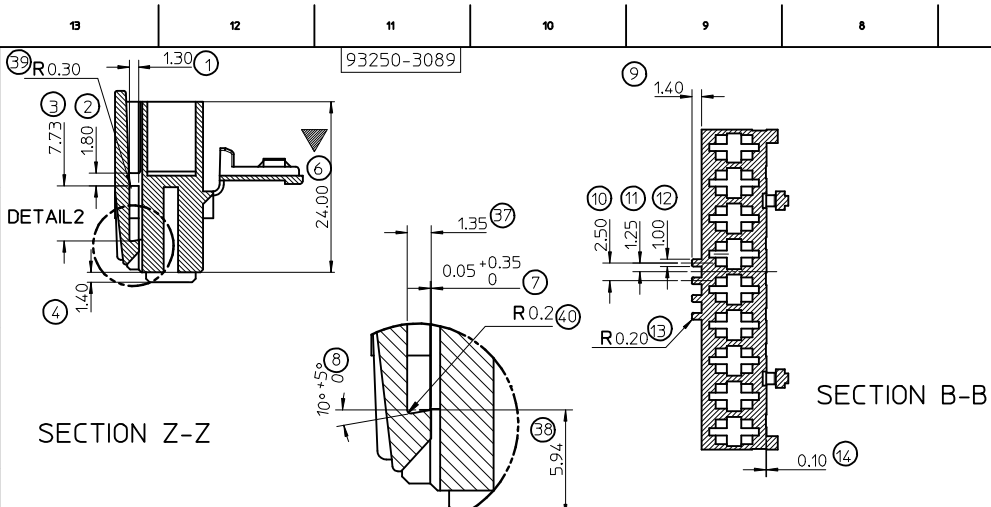
Contact us

Tel: +86-755-8981 8866 Fax: +86-755-8427 6832

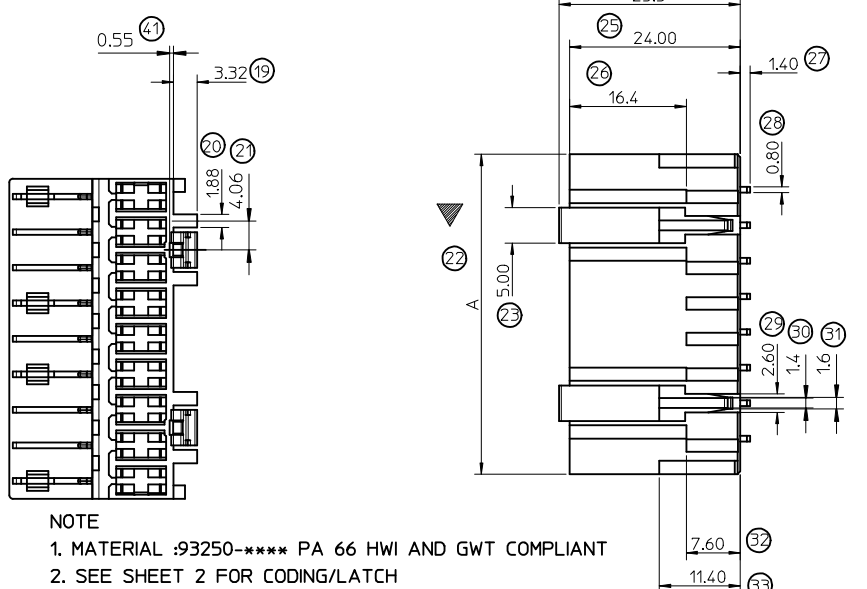
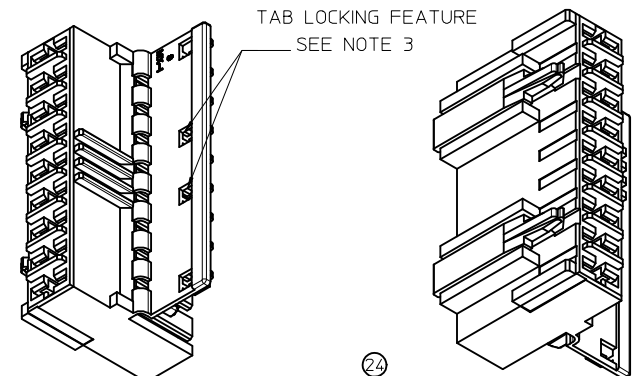
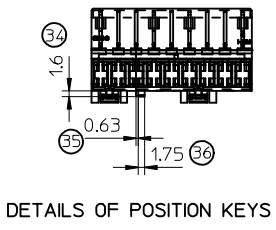
Email & Skype: info@chipsmall.com Web: www.chipsmall.com

Address: A1208, Overseas Decoration Building, #122 Zhenhua RD., Futian, Shenzhen, China





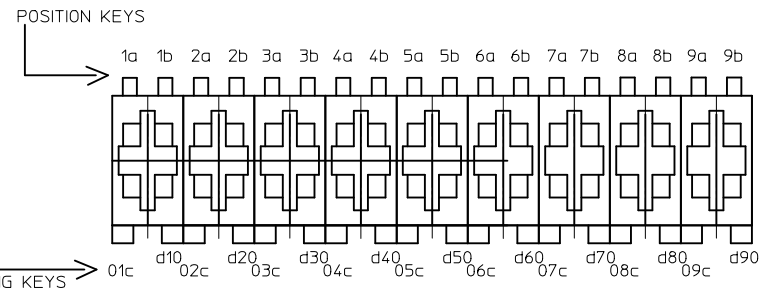
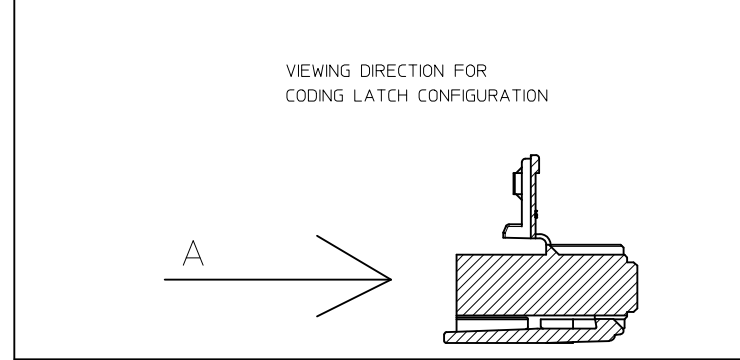
CIRCUIT SIZE	DIM A
3	14.8
4	19.8
5	24.8
6	29.8
7	34.8
8	39.8
9	44.8



- NOTE
1. MATERIAL :93250-**** PA 66 HWI AND GWT COMPLIANT
 2. SEE SHEET 2 FOR CODING/LATCH CONFIGURATION FOR EACH PART NUMBER
 3. SEE SHEET 2-3 FOR TAB LOCKING FEATURE QUANTITY PER CIRCUIT SIZE
 4. PRODUCT SPECIFICATION : PS-93250-001
 5. PACKAGING SPECIFICATION : PK-93250-001

ADDED & CKT TABLE EC NO: IFC2015-0648 DRWN:BCAFFREY 2014/10/07 CHKD:BRUTLE 2014/10/10 APPR:MSHAMHAN 2014/10/31	QUALITY SYMBOLS $\nabla=0$ $\nabla=3$	GENERAL TOLERANCES (UNLESS SPECIFIED) <table border="1"> <thead> <tr> <th></th> <th>mm</th> <th>INCH</th> </tr> </thead> <tbody> <tr> <td>4 PLACES</td> <td>± 0.25</td> <td>± 0.010</td> </tr> <tr> <td>3 PLACES</td> <td>± 0.25</td> <td>± 0.010</td> </tr> <tr> <td>2 PLACES</td> <td>± 0.13</td> <td>± 0.005</td> </tr> <tr> <td>1 PLACE</td> <td>± 0.25</td> <td>± 0.010</td> </tr> </tbody> </table> ANGULAR ± 2 °		mm	INCH	4 PLACES	± 0.25	± 0.010	3 PLACES	± 0.25	± 0.010	2 PLACES	± 0.13	± 0.005	1 PLACE	± 0.25	± 0.010	DIMENSION STYLE MM ONLY	SCALE 1:1	DESIGN UNITS METRIC	THIRD ANGLE PROJECTION
		mm	INCH																		
4 PLACES	± 0.25	± 0.010																			
3 PLACES	± 0.25	± 0.010																			
2 PLACES	± 0.13	± 0.005																			
1 PLACE	± 0.25	± 0.010																			
DRAWN BY BMAGUIRE	DATE 2010/06/25	CHECKED BY DATE	TITLE RAST 5 CRIMP HOUSING HWI	APPROVED BY BMAGUIRE	DATE 2010/10/22	DOCUMENT NO. SD-93250-001															
DRAFT WHERE APPLICABLE MUST REMAIN WITHIN DIMENSIONS		SEE TABLE		Molex MOLEX INCORPORATED		SHEET NO. 1 OF 3															
THIS DRAWING CONTAINS INFORMATION THAT IS PROPRIETARY TO MOLEX INCORPORATED AND SHOULD NOT BE USED WITHOUT WRITTEN PERMISSION																					

MOLEX PART NUMBER	CIRCUIT SIZE	POSITION KEYS	CODING KEYS	LATCH TYPE	LATCH POSITION	VIEW FROM DIRECTION A	HEAT RESISTANCE	TAB LOCKING FEATURE QUANTITY
93250-3183	3	NONE	01C	STANDARD	1&2		HWI & GWT	2
93250-3283	3	NONE	03d	STANDARD	2&3		HWI & GWT	2
93250-4033	3	1b	01c 03c	STANDARD	1&2		HWI & GWT	2
93250-4003	3	3b	01c 03c	STANDARD	1&2		HWI & GWT	2
93250-4013	3	1b	01c d30	STANDARD	1&2		HWI & GWT	2
93250-4023	3	3b	01c d30	STANDARD	1&2		HWI & GWT	2
93250-4004	4	1b	03c d40	STANDARD	1&2 3&4		HWI & GWT	2
93250-4005	5	3b	d30	STANDARD	1&2 4&5		HWI & GWT	3
93250-4015	5	1A 5B	01c d30	STANDARD	1&2 2&3		HWI & GWT	3
93250-4006	6	1b	04C	STANDARD	1&2 5&6		HWI & GWT	3
93250-3077	7	ALL	ALL	STANDARD	2&3 6&7		HWI & GWT	4
93250-3087	7	NONE	04C	STANDARD	1&2 5&6		HWI & GWT	4
93250-3097	7	3a 4a	d30 d70	STANDARD	1&2 5&6		HWI & GWT	4



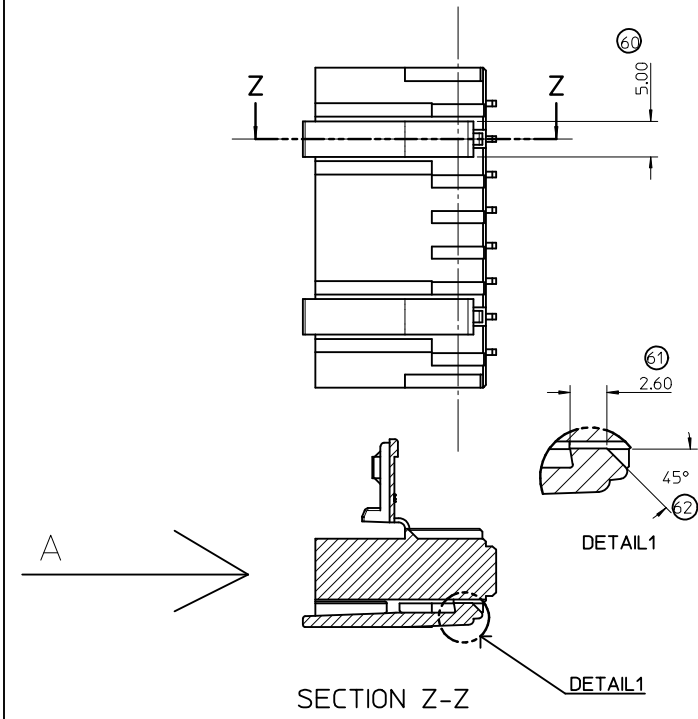
STANDARD LATCH POSITION
 WIDE LATCH POSITION

SEE SHEET 1 EC NO: IPG2015-0648 DRW:BCAFFREY 2014/10/07 CHKD:BRUTLE APPR:MSHAMMAN	QUALITY SYMBOLS	GENERAL TOLERANCES (UNLESS SPECIFIED)	DIMENSION STYLE MM ONLY	SCALE 2:1	DESIGN UNITS METRIC	THIRD ANGLE PROJECTION
	▽=0	mm INCH	DRAWN BY BMAGUIRE	DATE 2010/06/25	TITLE RAST 5 CRIMP HOUSING HWI	
	▽=0	4 PLACES ± --- ± ---	CHECKED BY	DATE	APPROVED BY BMAGUIRE	
	▽=0	3 PLACES ± --- ± ---	DATE		DATE 2010/10/22	
	2 PLACES ± 0.13 ± ---	APPROVED BY BMAGUIRE		DATE 2010/10/22		MOLEX INCORPORATED MATERIAL NO. SD-93250-001 DOCUMENT NO.
	1 PLACE ± 0.25 ± ---	MATERIAL NO.		SHEET NO. 2 OF 3		
	ANGULAR ± 2 °	DRAFT WHERE APPLICABLE MUST REMAIN WITHIN DIMENSIONS		SIZE A2 THIS DRAWING CONTAINS INFORMATION THAT IS PROPRIETARY TO MOLEX INCORPORATED AND SHOULD NOT BE USED WITHOUT WRITTEN PERMISSION		

MOLEX PART NUMBER	CIRCUIT SIZE	POSITION KEYS	CODING KEYS	LATCH TYPE	LATCH POSITION	VIEW FROM DIRECTION A	HEAT RESISTANCE	TAB LOCKING FEATURE QUANTITY
93250-4008	8	NONE	d20 03c d60 07c	STANDARD	1&2 7&8		HWI & GWT	4

MOLEX PART NUMBER	CIRCUIT SIZE	POSITION KEYS	CODING KEYS	LATCH TYPE	LATCH POSITION	VIEW FROM DIRECTION A	HEAT RESISTANCE	TAB LOCKING FEATURE QUANTITY
93250-3089	9	4b 5a 5b 6a	01c 09d	STANDARD	2&3 7&8		HWI & GWT	5
93250-3289	9	5b	3d	STANDARD	1&2 6&7		HWI & GWT	5
93250-3069	9	4b 5a 5b 6a	01c 09d	WIDE	2&3 7&8		HWI & GWT	5
93250-3269	9	5b	3d	WIDE	1&2 6&7		HWI & GWT	5
93250-3270	9	4b 5a 5b 6a	01c 09d	WIDE	2&3 5 7&8		HWI & GWT	5
93250-3271	9	NONE	3d	WIDE	1&2 5 8&9		HWI & GWT	5

DETAILS OF WIDE LATCH
(ALL UNSPECIFIED
DIMENSION AS PER STANDARD)



SEE SHEET 1 EC NO: IFC2015-0648 DRWN:BCAFFREY 2014/10/07 CHKD:BRUTLE 2014/10/10 APPR:MSHAMMAN 2014/10/31	QUALITY SYMBOLS $\nabla=0$ $\nabla=0$ $\nabla=0$	GENERAL TOLERANCES (UNLESS SPECIFIED)		DIMENSION STYLE MM ONLY	SCALE 1:1	DESIGN UNITS METRIC	THIRD ANGLE PROJECTION
		4 PLACES ± --- ± --- 3 PLACES ± --- ± --- 2 PLACES ± 0.13 ± --- 1 PLACE ± 0.25 ± --- ANGULAR ± 2 °	mm INCH ± --- ± --- ± --- ± --- ± --- ± --- ± --- ± ---	DRAWN BY BMAGUIRE	DATE 2010/06/25	TITLE RAST 5 CRIMP HOUSING HWI	
K	REV	DRAFT WHERE APPLICABLE MUST REMAIN WITHIN DIMENSIONS		APPROVED BY BMAGUIRE	DATE 2010/10/22	Molex MOLEX INCORPORATED	
		SIZE A2		MATERIAL NO. SEE TABLE		DOCUMENT NO. SD-93250-001	SHEET NO. 3 OF 3