



Chipsmall Limited consists of a professional team with an average of over 10 year of expertise in the distribution of electronic components. Based in Hongkong, we have already established firm and mutual-benefit business relationships with customers from,Europe,America and south Asia,supplying obsolete and hard-to-find components to meet their specific needs.

With the principle of “Quality Parts,Customers Priority,Honest Operation,and Considerate Service”,our business mainly focus on the distribution of electronic components. Line cards we deal with include Microchip,ALPS,ROHM,Xilinx,Pulse,ON,Everlight and Freescale. Main products comprise IC,Modules,Potentiometer,IC Socket,Relay,Connector.Our parts cover such applications as commercial,industrial, and automotives areas.

We are looking forward to setting up business relationship with you and hope to provide you with the best service and solution. Let us make a better world for our industry!



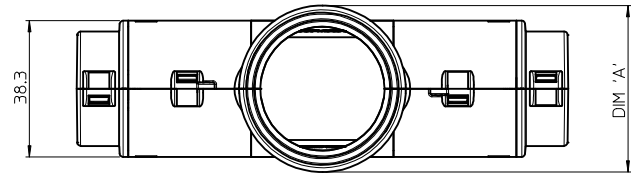
Contact us

Tel: +86-755-8981 8866 Fax: +86-755-8427 6832

Email & Skype: info@chipsmall.com Web: www.chipsmall.com

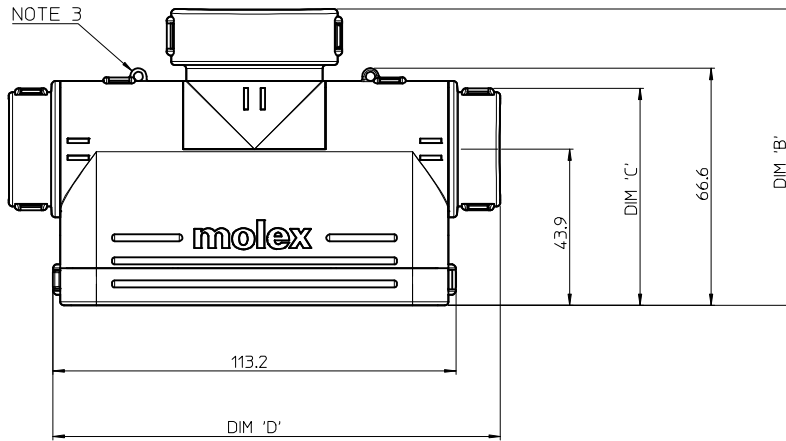
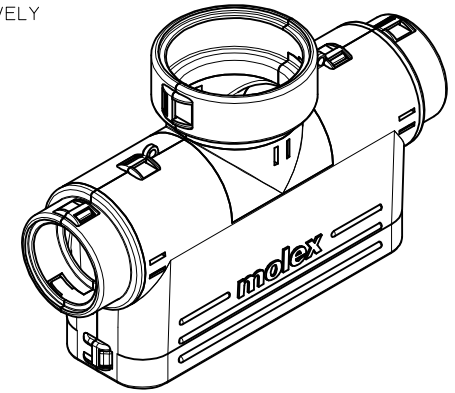
Address: A1208, Overseas Decoration Building, #122 Zhenhua RD., Futian, Shenzhen, China





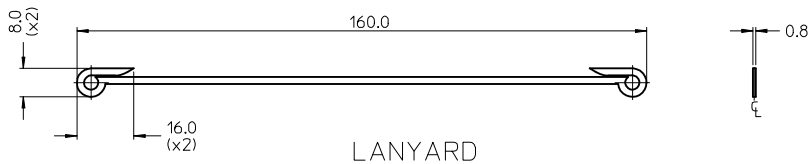
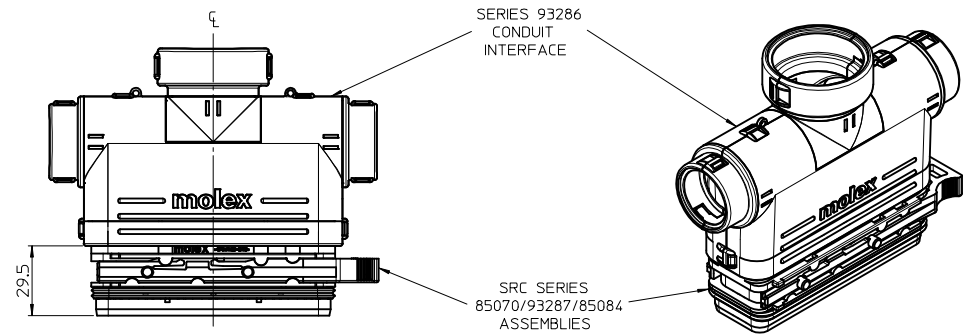
NOTES:

1. MATERIAL (CONDUIT INTERFACE AND LANYARD): POLYAMIDE, UNFILLED, COLOUR: BLACK
2. PACKAGING SPECIFICATION: PK-93286-001
PART NUMBERS LISTED ON SHEET 2 COMPRISE OF TWO SEPARATE MATING PARTS, UNCLIPPED AND CONNECTED AS ONE UNIT WITH A LANYARD
3. FEATURE FOR LANYARD CONNECTION
4. MATES WITH: NC & NW FORMAT CONDUIT
MOLEX SERIES 85070, 93287, 85084, REFERENCE SALES DRAWINGS SD-85070-300, SD-93287-001 AND SD-85084-700 RESPECTIVELY
5. IP RATING: IP40 WHEN CONDUIT USED WITH EXITS



OUTLET SIZE DIMENSION	FEMALE			MALE
	28	32	40	28
A	32.1	38.3	46.8	28.2
B	77.5	77.5	83.3	77.6
C	70.0	64.1	68.5	58.0
D	125.6	125.6	131.4	125.7

MATING COMPONENTS VIEW

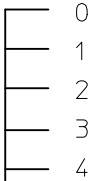


LANYARD

MATERIAL CHANGE EC NO: IPG2013-0850 DRWN: J WALLACE 2012/10/30 CHKD: MSHANAHAN 2013/10/10 APPR: STURIFFIN 2013/10/10	QUALITY SYMBOLS ▽=0 ▽=0	GENERAL TOLERANCES (UNLESS SPECIFIED) <table border="1"> <tr> <th></th> <th>mm</th> <th>INCH</th> </tr> <tr> <td>4 PLACES</td> <td>± 0.15</td> <td>± 0.006</td> </tr> <tr> <td>3 PLACES</td> <td>± 0.20</td> <td>± 0.008</td> </tr> <tr> <td>2 PLACES</td> <td>± 0.25</td> <td>± 0.010</td> </tr> <tr> <td>1 PLACE</td> <td>± 0.5</td> <td>± 0.020</td> </tr> <tr> <td colspan="3">ANGULAR ± 2 °</td> </tr> </table>		mm	INCH	4 PLACES	± 0.15	± 0.006	3 PLACES	± 0.20	± 0.008	2 PLACES	± 0.25	± 0.010	1 PLACE	± 0.5	± 0.020	ANGULAR ± 2 °			DIMENSION STYLE MM ONLY	SCALE 1:1	DESIGN UNITS METRIC	THIRD ANGLE PROJECTION
		mm	INCH																					
	4 PLACES	± 0.15	± 0.006																					
	3 PLACES	± 0.20	± 0.008																					
2 PLACES	± 0.25	± 0.010																						
1 PLACE	± 0.5	± 0.020																						
ANGULAR ± 2 °																								
DRAWN BY JOCONNOR	DATE 2010/07/01	TITLE SRC CONDUIT INTERFACE																						
CHECKED BY MSHANAHAN	DATE 2012/02/08	APPROVED BY EFOLAN																						
MATERIAL NO. SEE SHEET 2	DATE 2012/02/15	MOLEX INCORPORATED		DOCUMENT NO. SD-93286-001	SHEET NO. 1 OF 2																			
DRAFT WHERE APPLICABLE MUST REMAIN WITHIN DIMENSIONS																								
THIS DRAWING CONTAINS INFORMATION THAT IS PROPRIETARY TO MOLEX INCORPORATED AND SHOULD NOT BE USED WITHOUT WRITTEN PERMISSION																								

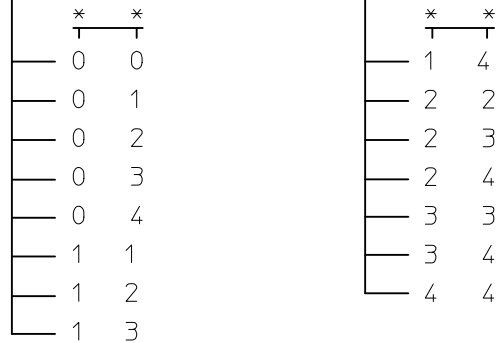
10 9 8 7 6 5 4 3 2 1

*
T



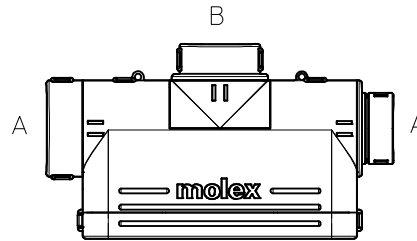
CENTRE OUTLET (B)

93286-0***

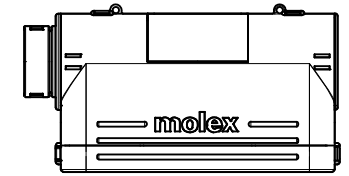


SIDE OUTLETS (A - A)

A/B	OUTLET
0	BLANK
1	Ø28 MALE
2	Ø28 FEMALE
3	Ø32 FEMALE
4	Ø40 FEMALE

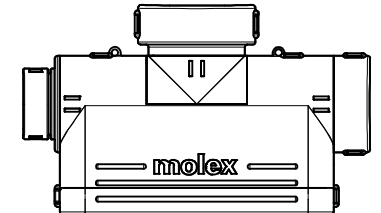


EXAMPLE:



93286-0010:
SIDE EXITS: Ø28 MALE & BLANK = 01
CENTRE EXIT: BLANK = 0

EXAMPLE:



93286-0134:
SIDE EXITS: Ø28 MALE & Ø32 FEMALE = 13
CENTRE EXIT: Ø40 FEMALE = 4

NC	NW
28	23
32	29
40	36

- NOTES:
- ALL OUTLET SIZES BASED ON UK NC SIZING FORMAT
 - MALE OUTLETS AVAILABLE IN SIZE NC 28 ONLY

SEE SHEET ONE
EC NO: IPG2013-0850
DRWN: J WALLACE 2012/10/30
CHKD: M SHANAHAN 2013/10/10
APPR: S GRIFFIN 2013/10/10

REV	DESCRIPTION
0	QUALITY SYMBOLS
1	QUALITY SYMBOLS

GENERAL TOLERANCES (UNLESS SPECIFIED)	
	mm INCH
4 PLACES	± 0.15 ± 0.006
3 PLACES	± 0.25 ± 0.010
2 PLACES	± 0.38 ± 0.015
1 PLACE	± 0.50 ± 0.020
ANGULAR ± 2°	
DRAFT WHERE APPLICABLE MUST REMAIN WITHIN DIMENSIONS	

DIMENSION STYLE MM ONLY	
DRAWN BY	DATE
JOCONNOR	2010/07/01
CHECKED BY	DATE
MSHANAHAN	2012/02/08
APPROVED BY	DATE
EFOLAN	2012/02/15
MATERIAL NO.	
SEE CHART	

SCALE	DESIGN UNITS
1:2	METRIC
THIRD ANGLE PROJECTION	

TITLE	
SRC CONDUIT INTERFACE	
MOLEX INCORPORATED	
DOCUMENT NO.	SHEET NO.
SD-93286-001	2 OF 2

9 8 7 6 5 4 3 2 1