



Chipsmall Limited consists of a professional team with an average of over 10 year of expertise in the distribution of electronic components. Based in Hongkong, we have already established firm and mutual-benefit business relationships with customers from,Europe,America and south Asia,supplying obsolete and hard-to-find components to meet their specific needs.

With the principle of “Quality Parts,Customers Priority,Honest Operation,and Considerate Service”,our business mainly focus on the distribution of electronic components. Line cards we deal with include Microchip,ALPS,ROHM,Xilinx,Pulse,ON,Everlight and Freescale. Main products comprise IC,Modules,Potentiometer,IC Socket,Relay,Connector.Our parts cover such applications as commercial,industrial, and automotives areas.

We are looking forward to setting up business relationship with you and hope to provide you with the best service and solution. Let us make a better world for our industry!



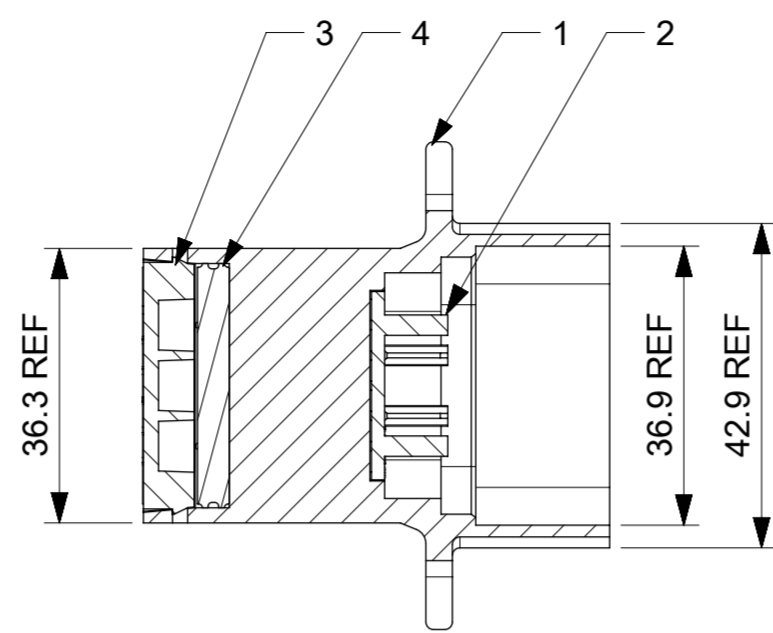
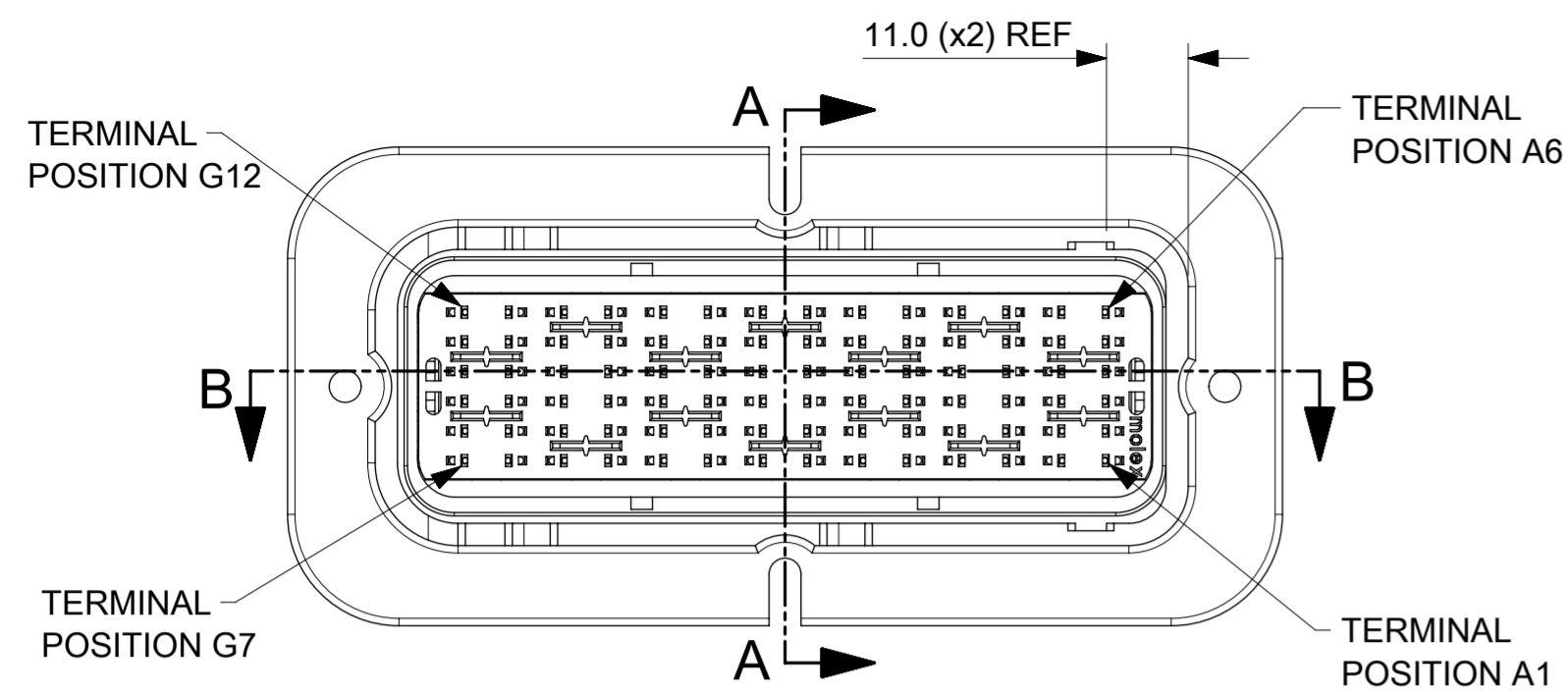
Contact us

Tel: +86-755-8981 8866 Fax: +86-755-8427 6832

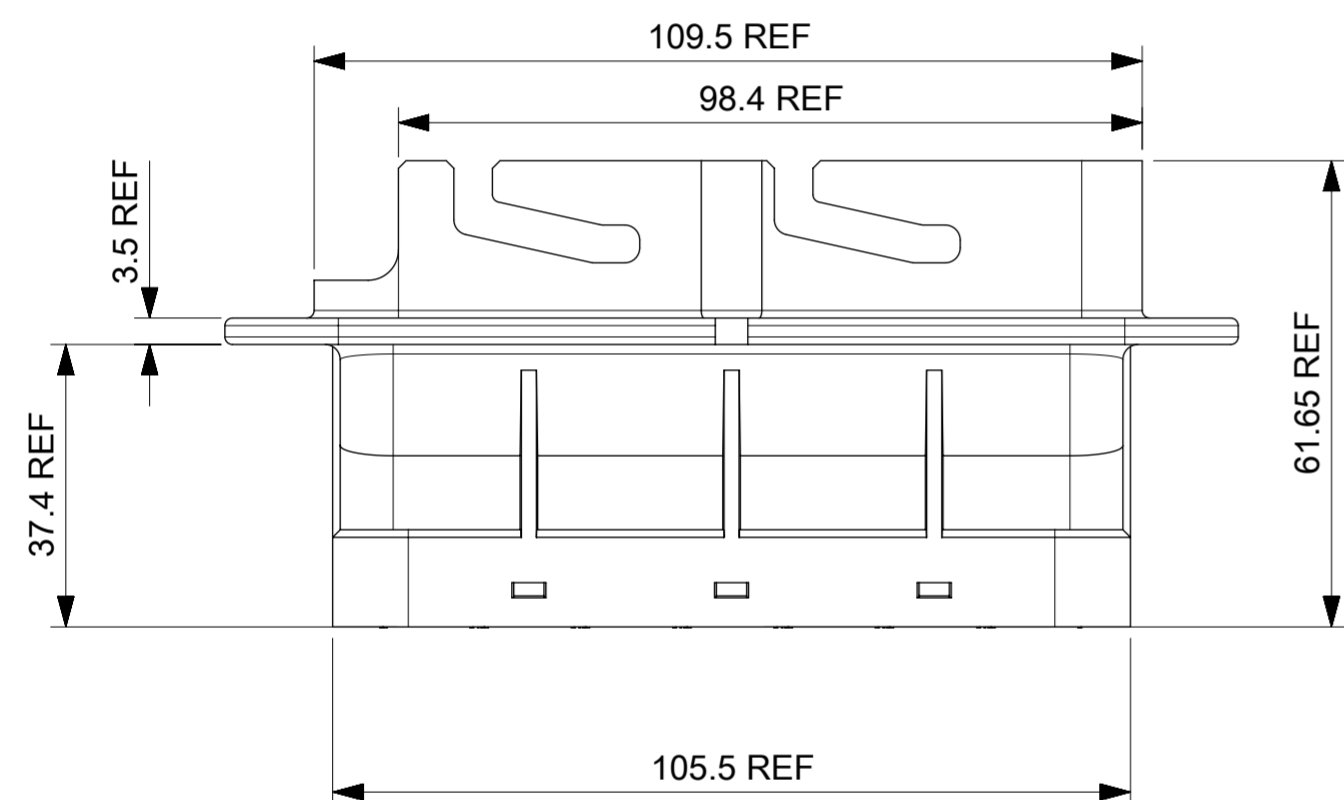
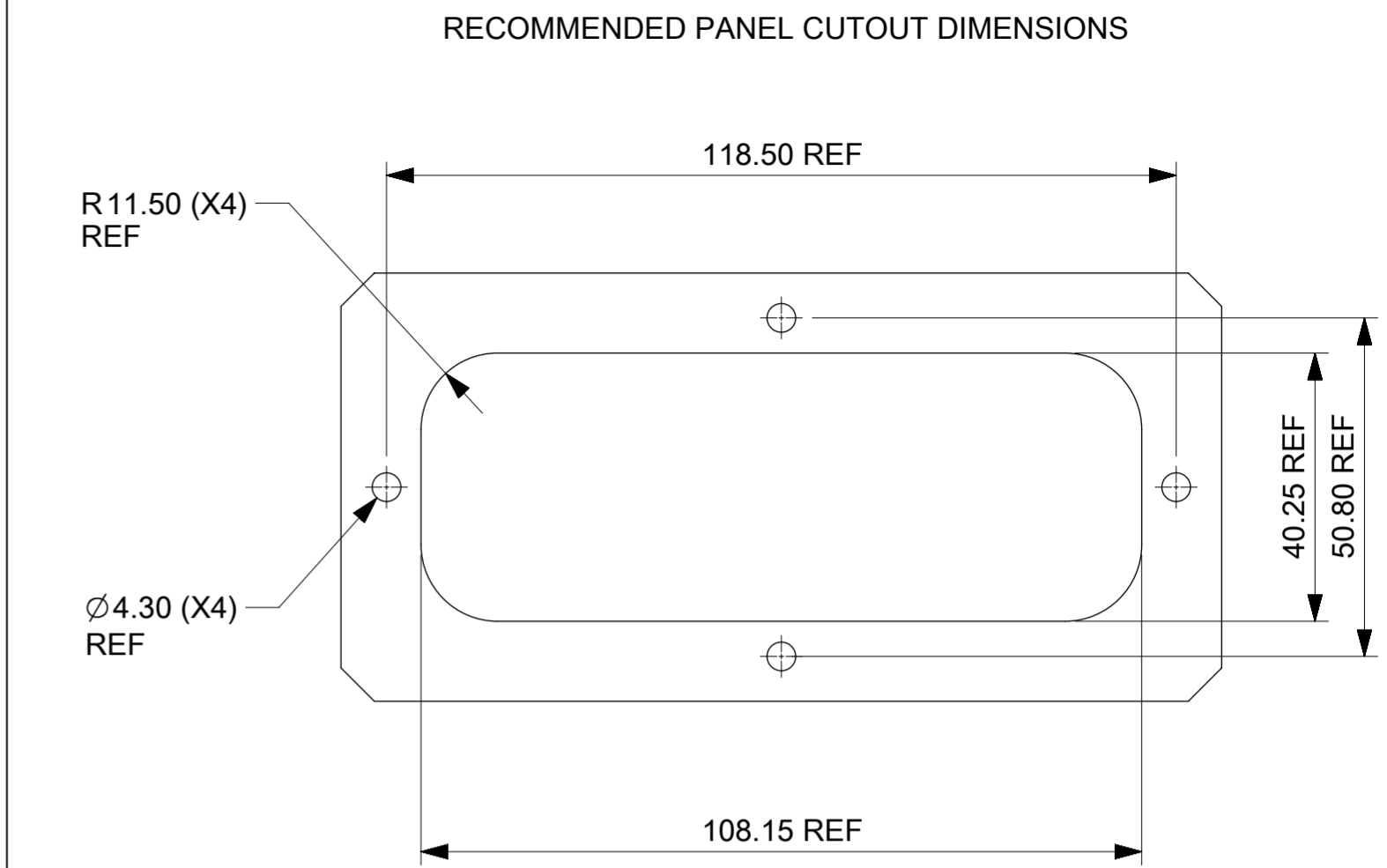
Email & Skype: info@chipsmall.com Web: www.chipsmall.com

Address: A1208, Overseas Decoration Building, #122 Zhenhua RD., Futian, Shenzhen, China

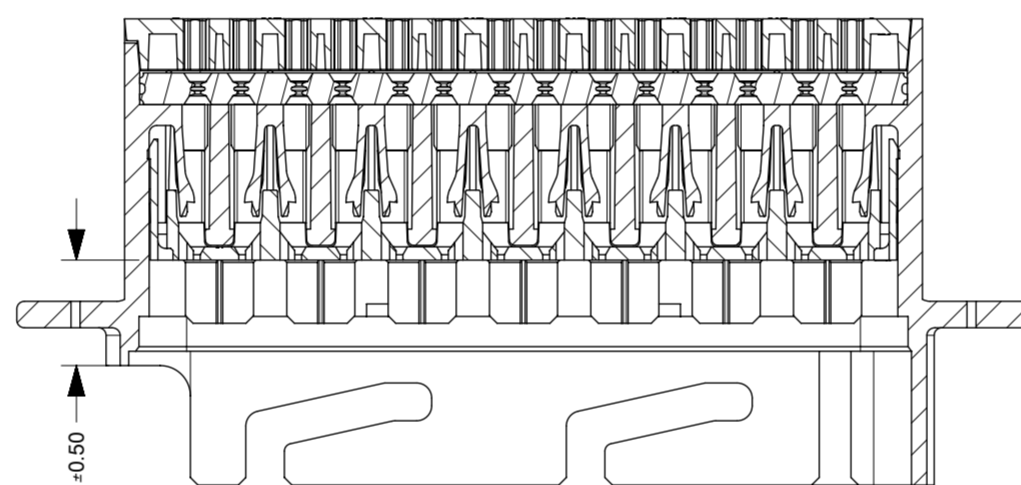




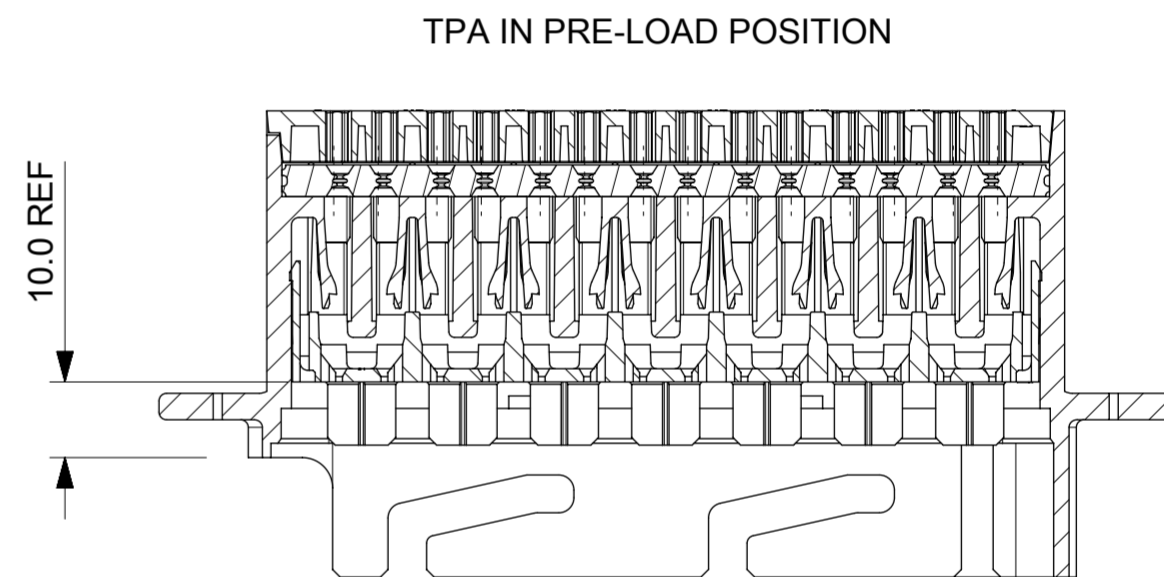
SECTION A-A



TPA IN CLOSED (AS SHIPPED) POSITION

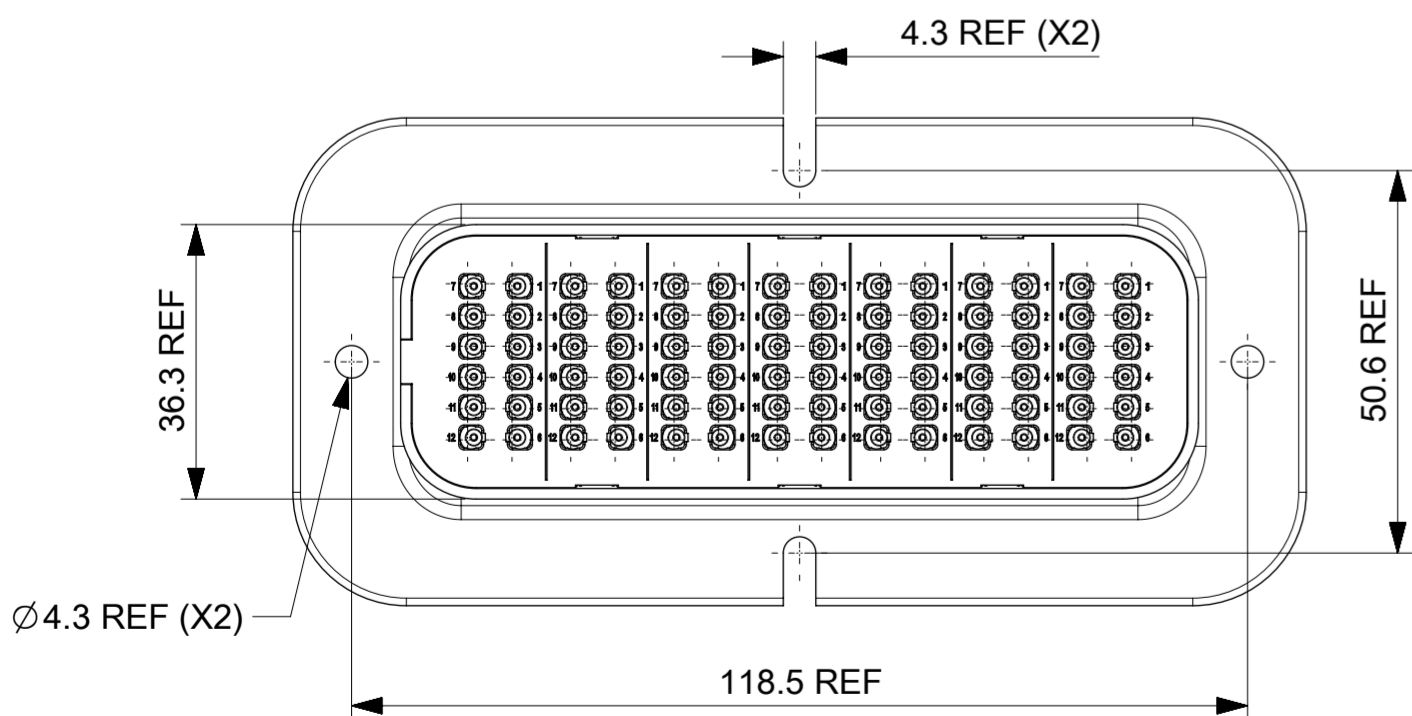
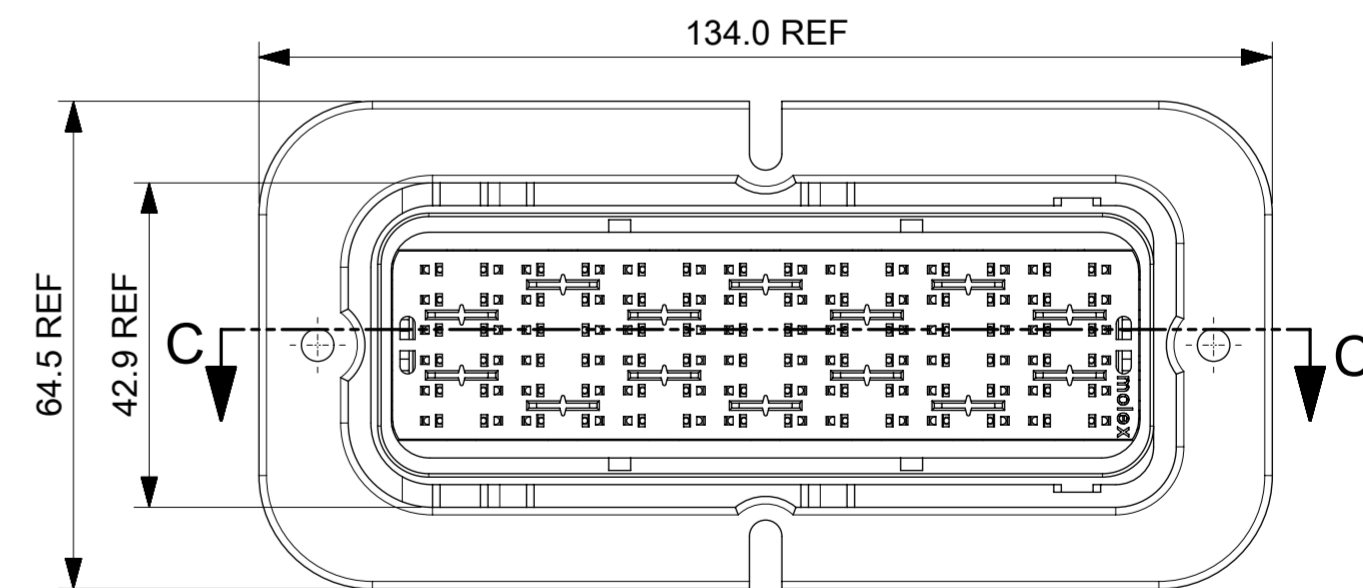


SECTION B-B



TPA IN PRE-LOAD POSITION

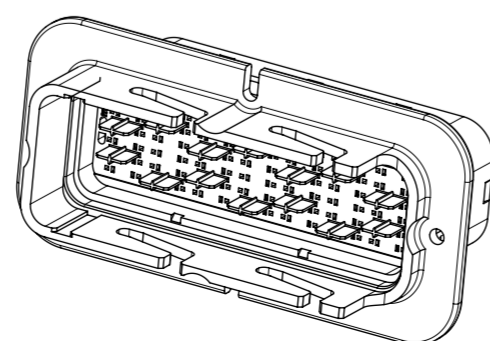
SECTION C-C



NOTES:

1. MATERIALS:
HOUSINGS: SPS/NYLON BLEND, GLASS FILLED, UL 94 HB
SEAL: SILICONE RUBBER
2. MX150 BLADE TERMINALS PER SD-33000-001 TO BE USED WITH THIS ASSEMBLY IN CAVITIES A, B, C, D, E, F, & G, CRIMPED WITH CABLE INSULATION OUTER DIAMETER IN THE RANGE 1.5mm TO 2.7mm
3. PRODUCT SPECIFICATION: 850830010 PSP
4. PACKAGING SPECIFICATION: 850710010 PSK
5. MATES WITH: SRC 84 WAY RECEPTACLE HOUSING ASSEMBLY PART NUMBER 932870001 PER 932870001 PSD
6. APPLICATION SPECIFICATION: 850830010 PSA
7. FLANGE GASKET OPTION: REFER TO 850710017 PSD

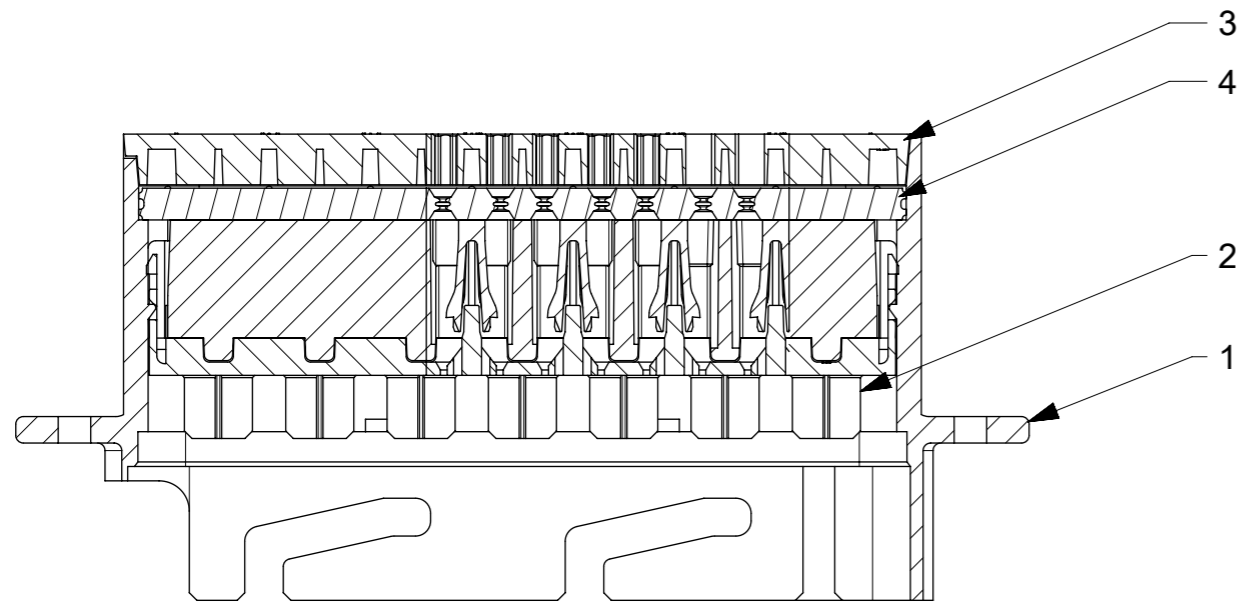
INSPECTION NUMBERS RESERVED FOR SHEET 1: 1-50
LAST INSPECTION NUMBER USED: 1



No.	DESCRIPTION	QTY.	COLOUR
4	MALE BACK SEAL	1	RUST RED
3	MALE REAR COVER	1	BLACK
2	MALE FRONT COVER (TPA)	1	GREEN
1	MALE HOUSING	1	BLACK

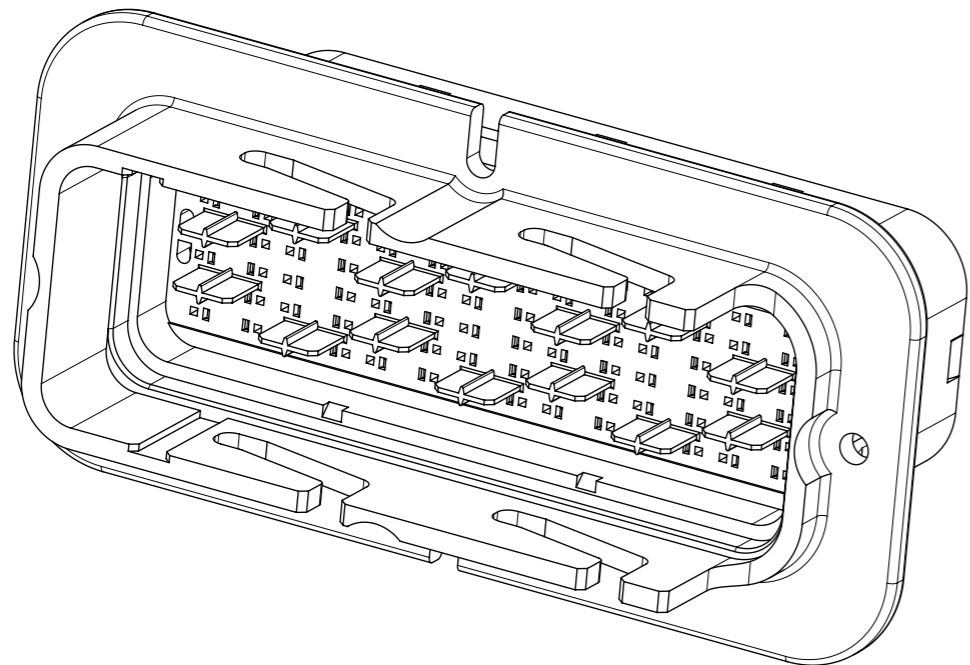
BILL OF MATERIAL

QUALITY SYMBOLS				THIS DRAWING CONTAINS INFORMATION THAT IS PROPRIETARY TO MOLEX ELECTRONIC TECHNOLOGIES, LLC AND SHOULD NOT BE USED WITHOUT WRITTEN PERMISSION			
▽ = 0	▽ = 0	▽ = 0	▽ = 0	REPLACE SD-93288-001	EC NO: 102579	DRWN: AJOBRIEN	CHKD: SMCGREEVY
▽ = 0	▽ = 0	▽ = 0	▽ = 0	2016/01/21	2016/01/22	2016/01/22	2016/01/26
▽ = 0	▽ = 0	▽ = 0	▽ = 0	GENERAL TOLERANCES (UNLESS SPECIFIED)	DIMENSION UNITS	SCALE	
▽ = 0	▽ = 0	▽ = 0	▽ = 0	MM	1:1		
▽ = 0	▽ = 0	▽ = 0	▽ = 0	ANGULAR TOL ± 0.5 °	DRWN BY	DATE	
▽ = 0	▽ = 0	▽ = 0	▽ = 0	4 PLACES ±	AJOBRIEN	2016/01/21	
▽ = 0	▽ = 0	▽ = 0	▽ = 0	3 PLACES ±	CHK'D BY	DATE	
▽ = 0	▽ = 0	▽ = 0	▽ = 0	2 PLACES ± 0.2	SMCGREEVY	2016/01/22	
▽ = 0	▽ = 0	▽ = 0	▽ = 0	1 PLACE ± 0.5	APPR BY	DATE	
▽ = 0	▽ = 0	▽ = 0	▽ = 0	0 PLACES ±	JDWALLACE	2016/01/26	
▽ = 0	▽ = 0	▽ = 0	▽ = 0	DRAFT WHERE APPLICABLE MUST REMAIN WITHIN DIMENSIONS	DRAWING SIZE	THIRD ANGLE PROJECTION	
▽ = 0	▽ = 0	▽ = 0	▽ = 0	A2			
						SRC MALE 84 WAY / 84 WAY 2.5 BLADE HOUSING ASSEMBLY	
				PRODUCT CUSTOMER DRAWING			
				SERIES	MATERIAL NUMBER	CUSTOMER	
				93288	SEE NOTES	GENERAL MARKET	
				DOCUMENT NUMBER	DOC TYPE	DOC PART	SHEET NUMBER
				932880001	PSD	000	1 OF 2



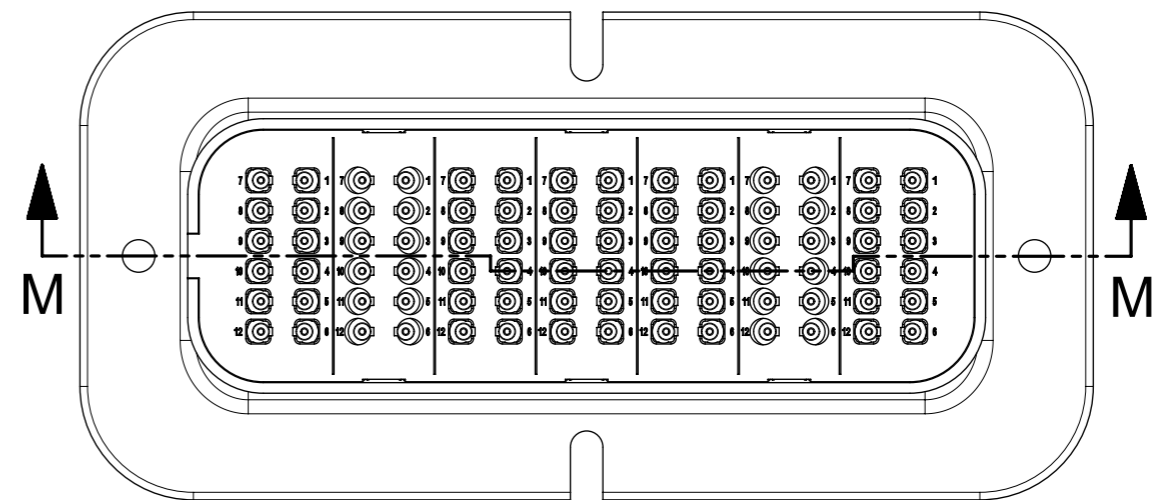
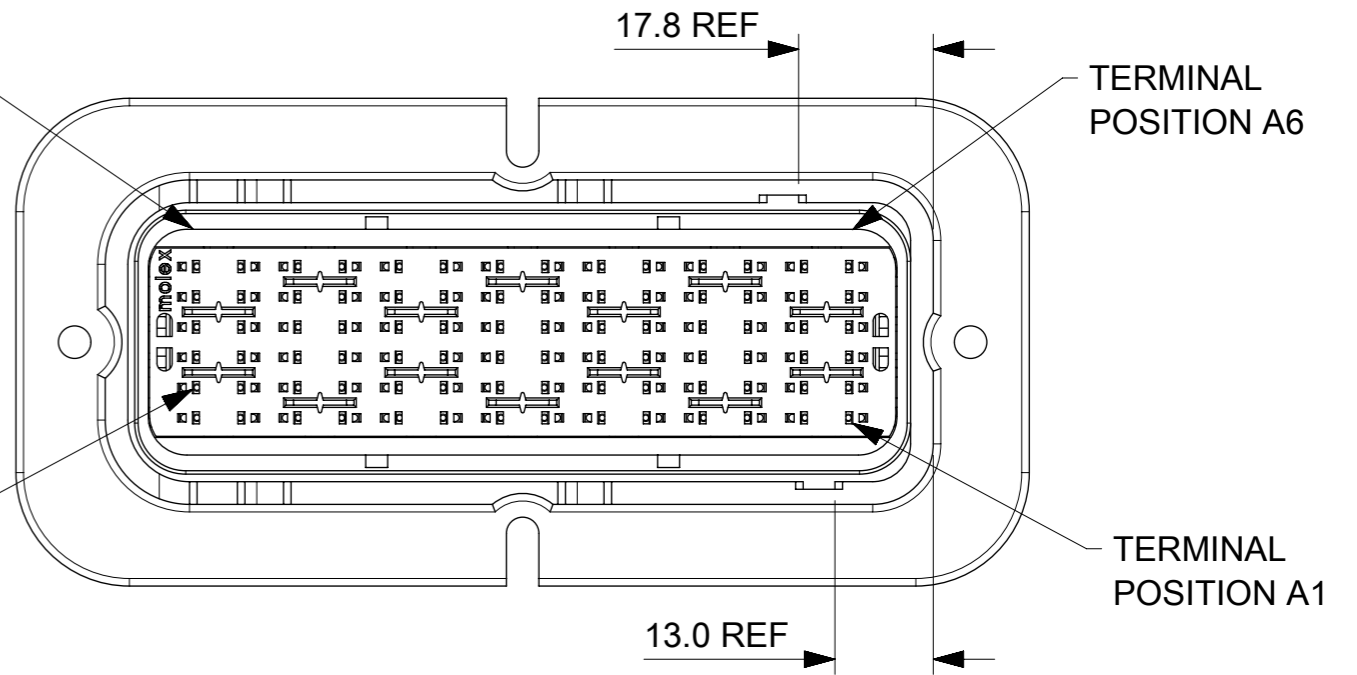
SECTION M-M

4	MALE BACK SEAL	1	RUST RED
3	MALE REAR COVER	1	BLACK
2	MALE FRONT COVER (TPA)	1	GREEN
1	MALE HOUSING	1	BLACK
No.	DESCRIPTION	QTY.	COLOUR
BILL OF MATERIAL			



3
4
2
1

TERMINAL POSITION G12



NOTES:

1. REFERENCE SHEET 1 FOR UNSPECIFIED NOTES AND DIMENSIONS
2. MX150 BLADE TERMINALS PER SD-33000-001 TO BE USED WITH THIS ASSEMBLY IN CAVITIES A, C, D, E & G, CRIMPED WITH CABLE INSULATION OUTER DIAMETER IN THE RANGE 1.5mm TO 2.7mm
3. SRC BLADE TERMINALS PER 936420010 PSD MAY BE USED WITH THIS ASSEMBLY IN CAVITIES B AND F, CRIMPED WITH 2.5mm² (13AWG) CABLE INSULATION OUTER DIAMETER IN THE RANGE 2.7mm TO 3.0mm
4. MATES WITH: SRC2 84 WAY 2.5 RECEPTACLE HOUSING ASSEMBLY PART NUMBER 932878425 PER 932870001 PSD

<p>QUALITY SYMBOLS</p> <p>▽A = 0</p> <p>▽E = 0</p> <p>▽F = 0</p> <p>▽ = 0</p> <p>▽C = 0</p> <p>⊗ = 0</p> <p>■ = 0</p> <p>▽ = 0</p>	THIS DRAWING CONTAINS INFORMATION THAT IS PROPRIETARY TO MOLEX ELECTRONIC TECHNOLOGIES, LLC AND SHOULD NOT BE USED WITHOUT WRITTEN PERMISSION																		
	<p>REPLACE SD-93288-001</p> <p>EC NO: 102579</p> <p>DRWN: AJOBRIEN</p> <p>CHK'D: SMCGREEVY</p> <p>REV APPR: JDWALLACE</p>	2016/01/21	2016/01/22	2016/01/26	GENERAL TOLERANCES (UNLESS SPECIFIED)		DIMENSION UNITS	SCALE											
					ANGULAR TOL ± 0.5 °		MM	1:1											
					4 PLACES ±	DRWN BY		DATE		SRC MALE 84 WAY / 84 WAY 2.5 BLADE HOUSING ASSEMBLY									
					3 PLACES ±	AJOBRIEN		2016/01/21											
					2 PLACES ± 0.2	CHK'D BY		DATE		PRODUCT CUSTOMER DRAWING									
				1 PLACE ± 0.5	SMCGREEVY		2016/01/22												
				0 PLACES ±	APPR BY		DATE		<table border="1" style="width: 100%;"> <tr> <td>SERIES</td> <td>MATERIAL NUMBER</td> <td>CUSTOMER</td> </tr> <tr> <td>93288</td> <td>SEE NOTES</td> <td>GENERAL MARKET</td> </tr> </table>			SERIES	MATERIAL NUMBER	CUSTOMER	93288	SEE NOTES	GENERAL MARKET		
	SERIES	MATERIAL NUMBER	CUSTOMER																
	93288	SEE NOTES	GENERAL MARKET																
			DRAFT WHERE APPLICABLE MUST REMAIN WITHIN DIMENSIONS		JDWALLACE		2016/01/26		<table border="1" style="width: 100%;"> <tr> <td>DOCUMENT NUMBER</td> <td>DOC TYPE</td> <td>DOC PART</td> <td>SHEET NUMBER</td> </tr> <tr> <td>932880001</td> <td>PSD</td> <td>000</td> <td>2 OF 2</td> </tr> </table>			DOCUMENT NUMBER	DOC TYPE	DOC PART	SHEET NUMBER	932880001	PSD	000	2 OF 2
DOCUMENT NUMBER	DOC TYPE	DOC PART	SHEET NUMBER																
932880001	PSD	000	2 OF 2																
					DRAWING SIZE	THIRD ANGLE PROJECTION													
					A3														