



Chipsmall Limited consists of a professional team with an average of over 10 year of expertise in the distribution of electronic components. Based in Hongkong, we have already established firm and mutual-benefit business relationships with customers from,Europe,America and south Asia,supplying obsolete and hard-to-find components to meet their specific needs.

With the principle of “Quality Parts,Customers Priority,Honest Operation,and Considerate Service”,our business mainly focus on the distribution of electronic components. Line cards we deal with include Microchip,ALPS,ROHM,Xilinx,Pulse,ON,Everlight and Freescale. Main products comprise IC,Modules,Potentiometer,IC Socket,Relay,Connector.Our parts cover such applications as commercial,industrial, and automotives areas.

We are looking forward to setting up business relationship with you and hope to provide you with the best service and solution. Let us make a better world for our industry!



Contact us

Tel: +86-755-8981 8866 Fax: +86-755-8427 6832

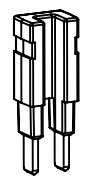
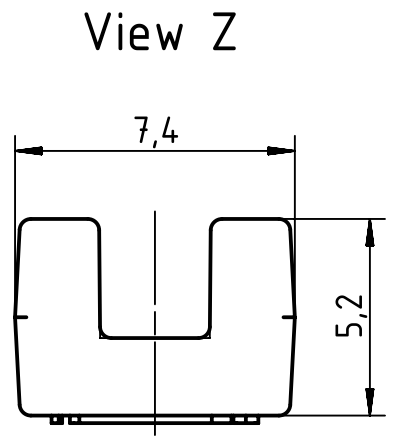
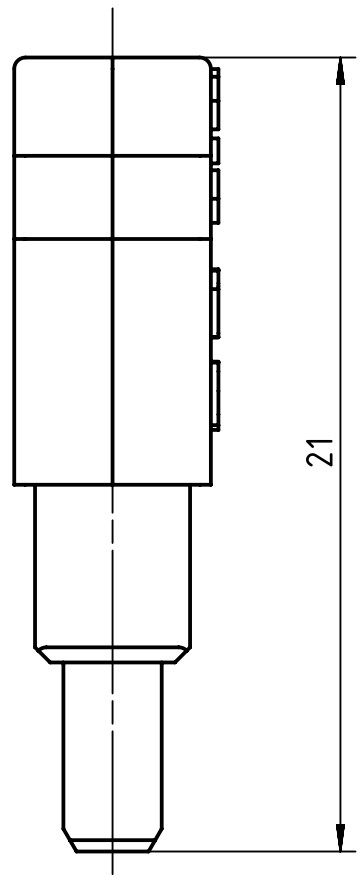
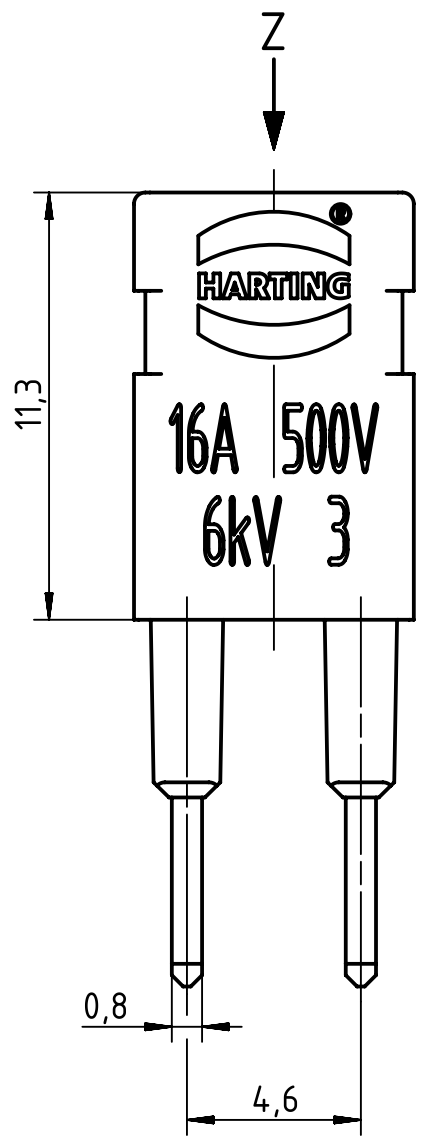
Email & Skype: info@chipsmall.com Web: www.chipsmall.com


Address: A1208, Overseas Decoration Building, #122 Zhenhua RD., Futian, Shenzhen, China



1 2 3 4 5 6

A
B
C
D



	All rights reserved Department EL PD - DE		Created by DEIMEL		Inspected by LOETKEMANN		Standardisation SCHMIDTM		Date 2016-02-01		State Final Release		
	HARTING Electric GmbH & Co. KG D-32339 Espelkamp		Title Jumper Across 2x1 black 16A						Doc-Key / ECM-Nr. 100633465/UGD/001/B 500000099933		Rev. B		Page 1/1
All Dimensions in mm Original Size DIN A4			Scale 5:1		Free size tol.				Ref. Sub.				
			Type TB		Number 09 33 000 9822								