



Chipsmall Limited consists of a professional team with an average of over 10 year of expertise in the distribution of electronic components. Based in Hongkong, we have already established firm and mutual-benefit business relationships with customers from,Europe,America and south Asia,supplying obsolete and hard-to-find components to meet their specific needs.

With the principle of "Quality Parts,Customers Priority,Honest Operation,and Considerate Service",our business mainly focus on the distribution of electronic components. Line cards we deal with include Microchip,ALPS,ROHM,Xilinx,Pulse,ON,Everlight and Freescale. Main products comprise IC,Modules,Potentiometer,IC Socket,Relay,Connector.Our parts cover such applications as commercial,industrial, and automotives areas.

We are looking forward to setting up business relationship with you and hope to provide you with the best service and solution. Let us make a better world for our industry!



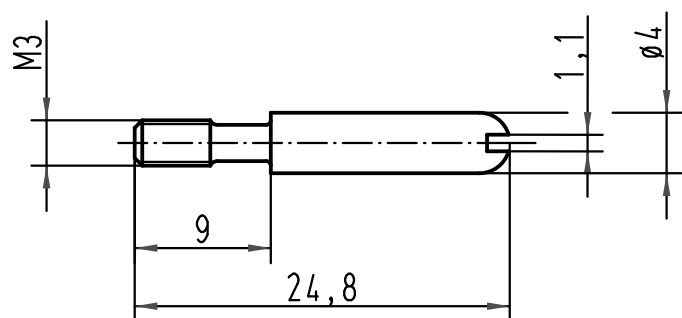
Contact us

Tel: +86-755-8981 8866 Fax: +86-755-8427 6832

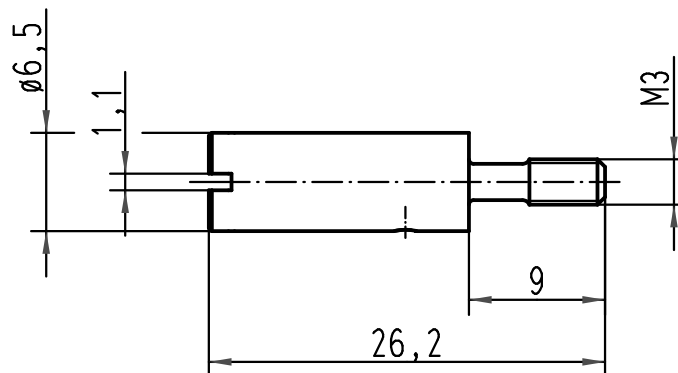
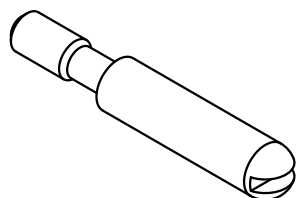
Email & Skype: info@chipsmall.com Web: www.chipsmall.com

Address: A1208, Overseas Decoration Building, #122 Zhenhua RD., Futian, Shenzhen, China

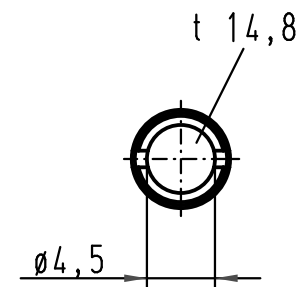
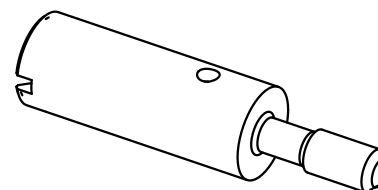




Führungsstift
guide pin



Führungsbuchse
guide bush



All Dimensions in mm
Original Size DIN A 4

Techn. Character.

Nicht tolerierte Maß/Free size tolerances

	Dat.	Name	Maßstab/Scale 2:1
Detail.	29.06.10	Rull	
Insp.		Sch	
Stand.			

Codierung
coding system

09 33 000 9909	Führungsbuchse / guide bush
09 33 000 9908	Führungsstift / guide pin
Bestell Nr / Part No	Bezeichnung / description

Mod.	Dat.	Name
A		

HARTING Electric GmbH & Co. KG
D-32339 Espelkamp



TB 09 33 000 990.
Sub. TB 09 33 000 990. v. 09.12.99

Blatt/page
1/3