



Chipsmall Limited consists of a professional team with an average of over 10 year of expertise in the distribution of electronic components. Based in Hongkong, we have already established firm and mutual-benefit business relationships with customers from,Europe,America and south Asia,supplying obsolete and hard-to-find components to meet their specific needs.

With the principle of “Quality Parts,Customers Priority,Honest Operation,and Considerate Service”,our business mainly focus on the distribution of electronic components. Line cards we deal with include Microchip,ALPS,ROHM,Xilinx,Pulse,ON,Everlight and Freescale. Main products comprise IC,Modules,Potentiometer,IC Socket,Relay,Connector.Our parts cover such applications as commercial,industrial, and automotives areas.

We are looking forward to setting up business relationship with you and hope to provide you with the best service and solution. Let us make a better world for our industry!



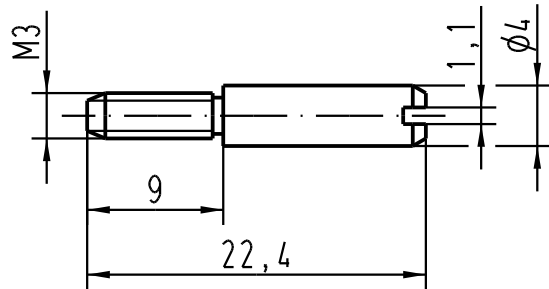
Contact us

Tel: +86-755-8981 8866 Fax: +86-755-8427 6832

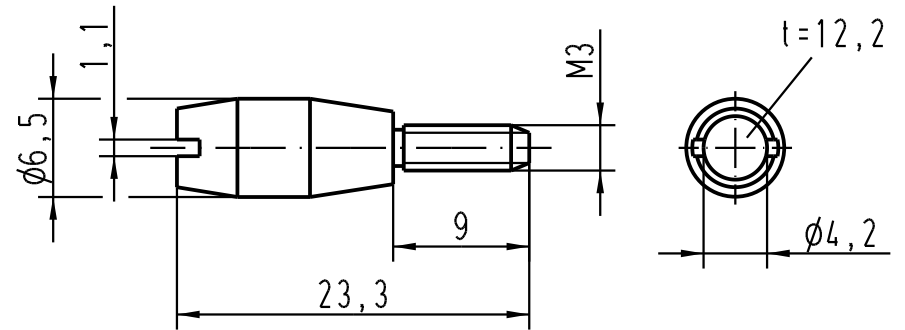
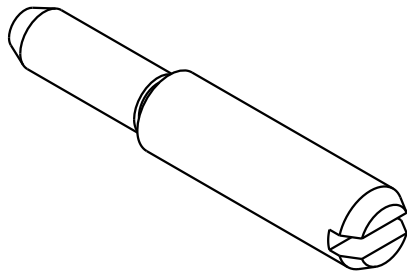
Email & Skype: info@chipsmall.com Web: www.chipsmall.com

Address: A1208, Overseas Decoration Building, #122 Zhenhua RD., Futian, Shenzhen, China

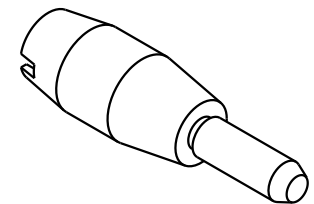




Führungsstift/
guide pin



Führungsbuchse/
guide bush



All Dimensions in mm
Original Size DIN A 4

Techn. Character.

Nicht tolerierte Masse/ Free size tolerances

	Dat.	Name	Masstab/Scale
Detail.	30.08.04	Loe.	2:1
Insp.		Rü	
Stand.			

Codierung
coding system

Bestell Nr / Part No	Bezeichnung / description	Mod.	Dat.	Name
09 33 000 9957	Führungsbuchse / guide bush	412187	02.05.06	Loe.
09 33 000 9956	Führungsstift / guide pin	410626		

HARTING Electric GmbH & Co. KG
D-32339 Espelkamp



TB 09 33 000 995.

Sub.

Blatt/ page
1/2