



Chipsmall Limited consists of a professional team with an average of over 10 year of expertise in the distribution of electronic components. Based in Hongkong, we have already established firm and mutual-benefit business relationships with customers from,Europe,America and south Asia,supplying obsolete and hard-to-find components to meet their specific needs.

With the principle of "Quality Parts,Customers Priority,Honest Operation,and Considerate Service",our business mainly focus on the distribution of electronic components. Line cards we deal with include Microchip,ALPS,ROHM,Xilinx,Pulse,ON,Everlight and Freescale. Main products comprise IC,Modules,Potentiometer,IC Socket,Relay,Connector.Our parts cover such applications as commercial,industrial, and automotives areas.

We are looking forward to setting up business relationship with you and hope to provide you with the best service and solution. Let us make a better world for our industry!



## Contact us

Tel: +86-755-8981 8866 Fax: +86-755-8427 6832

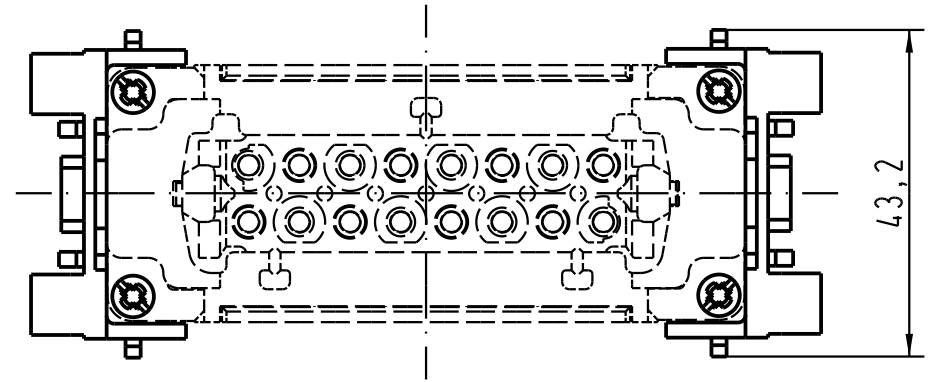
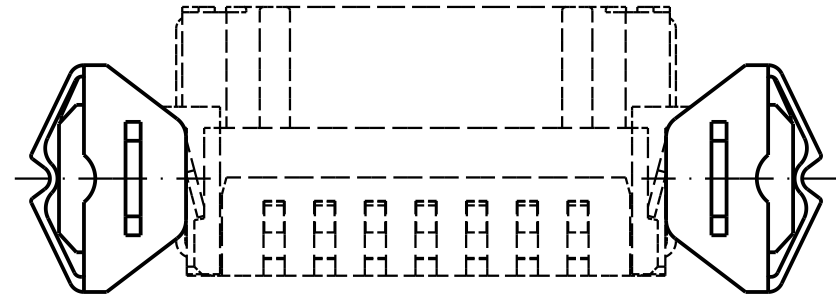
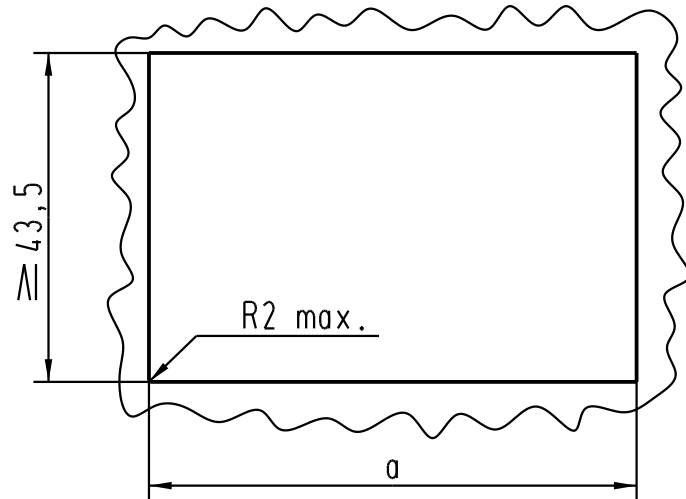
Email & Skype: info@chipsmall.com Web: www.chipsmall.com



Address: A1208, Overseas Decoration Building, #122 Zhenhua RD., Futian, Shenzhen, China



Montageausschnitt für Han Snap  
Wandhalterung  
Wandstärke 1,3-3

panel cut out for Han Snap  
bulkhead mounting  
thickness of wall 1,3-3



				 All Dimensions in mm Original Size DIN A 4			Techn. Character.			Nicht tolerierte Masse/ Free size tolerances	
								Dat.	Name	Masstab/Scale	
A				411619	12.05.05	Loe.	Detail.	08.12.92	PEN.	1 : 1	Han Snap Wandhalterung Han Snap bulkhead mounting
		24	124,5	411037	18.05.04	Loe.	Insp.		OLE		
		16	97,5	18241	28.03.95	ZILK	Stand.				
		10	77,5	15920	18.02.94	SPER.	HARTING Electric GmbH & Co. KG D-32339 Espelkamp		 TB 09 33 000 9985		
		6	64,5	14154	06.01.93	OLE					Sub. SK 09 7988 v. 06.07.92
Bestell Nr/Part No		Polzahl/way	a <sup>+0,3</sup>	Mod.	Dat.	Name					Blatt/ page