



Chipsmall Limited consists of a professional team with an average of over 10 year of expertise in the distribution of electronic components. Based in Hongkong, we have already established firm and mutual-benefit business relationships with customers from,Europe,America and south Asia,supplying obsolete and hard-to-find components to meet their specific needs.

With the principle of “Quality Parts,Customers Priority,Honest Operation,and Considerate Service”,our business mainly focus on the distribution of electronic components. Line cards we deal with include Microchip,ALPS,ROHM,Xilinx,Pulse,ON,Everlight and Freescale. Main products comprise IC,Modules,Potentiometer,IC Socket,Relay,Connector.Our parts cover such applications as commercial,industrial, and automotives areas.

We are looking forward to setting up business relationship with you and hope to provide you with the best service and solution. Let us make a better world for our industry!



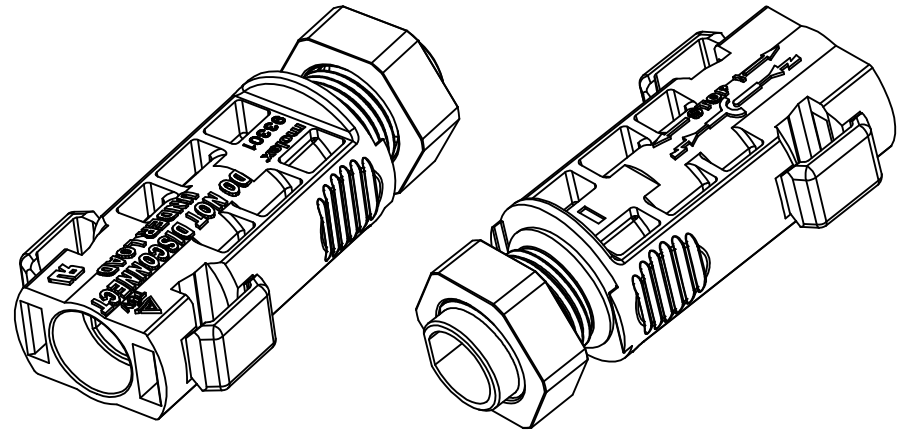
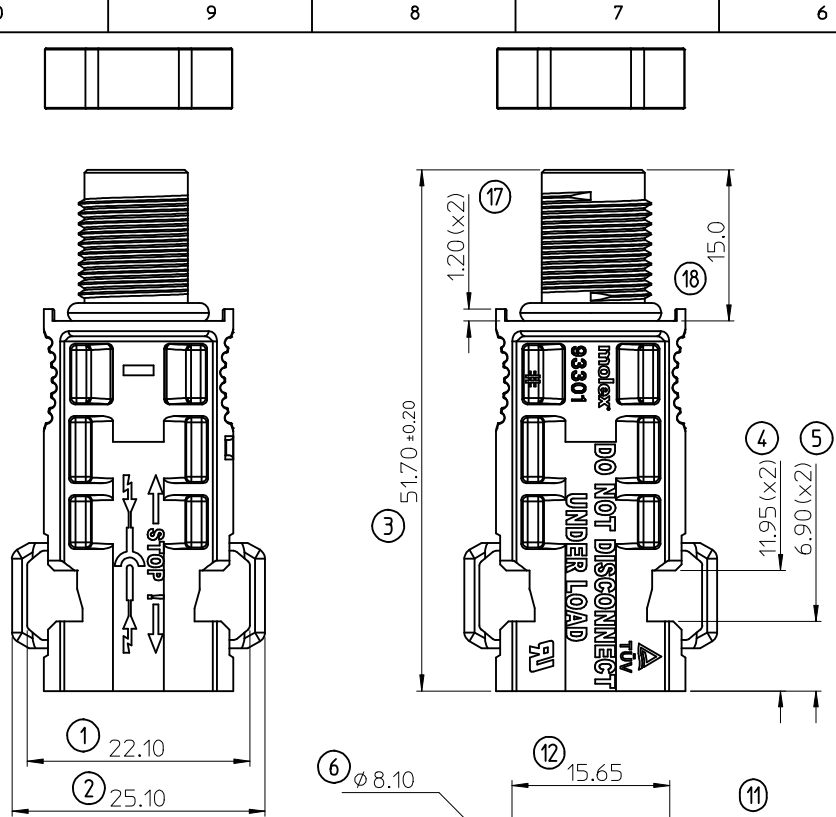
Contact us

Tel: +86-755-8981 8866 Fax: +86-755-8427 6832

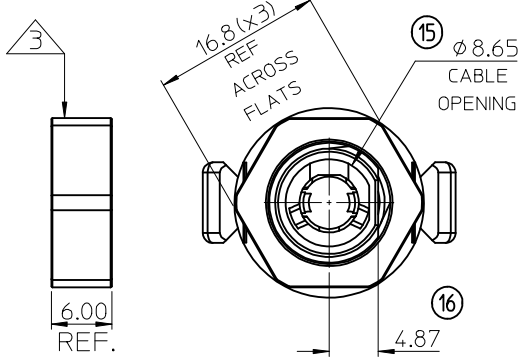
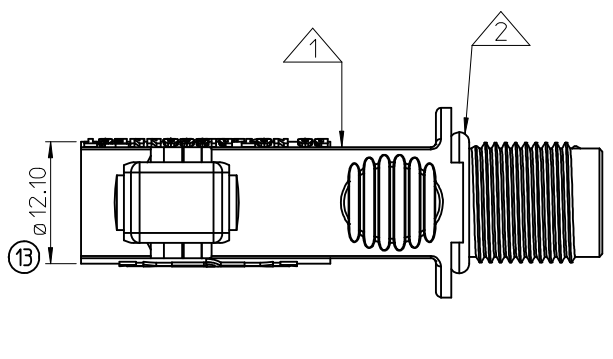
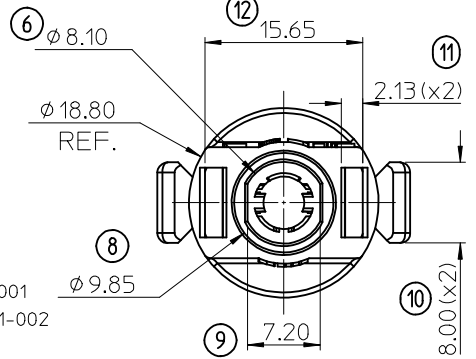
Email & Skype: info@chipsmall.com Web: www.chipsmall.com

Address: A1208, Overseas Decoration Building, #122 Zhenhua RD., Futian, Shenzhen, China





CONTACT USED: SEE SD-93302-001



- NOTES:
1. MATERIALS: SEE TABLE
 2. FINISHES: SEE TABLE
 3. PRODUCT SPECIFICATION: PS-93301-001
 4. PACKAGING SPECIFICATION: PK-93301-002
 5. MATES WITH: 130244-1201/1203
 6. ASSEMBLY IS ROHS COMPLIANT
 7. ASSEMBLY IS DELIVERED WITH PANEL NUT LOOSE IN BAG.
 8. FOR DUSTCAPS PLEASE REFER TO SD-93301-009

LAST INSPECTION No: 18
 REMOVED INSPECTION No'S: (7) (14)

ITEM	QTY	DESCRIPTION	MATERIAL	FINISH
3	1	PANEL NUT	POLYCARBONATE(PC)	BLACK
2	1	O-RING PANEL SEAL	SILICONE	DARK GREY
1	1	PIN HOUSING	POLYCARBONATE(PC)	BLACK

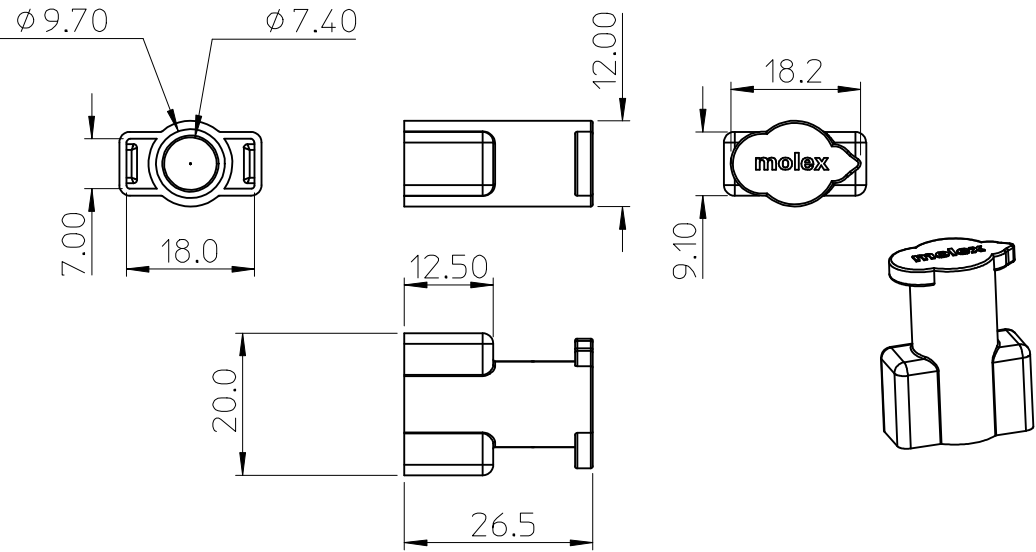
F.P.I.R. UPDATES	
EC NO: IPG2012-0274	2011/09/20
DRWN:DBYRNES	2011/09/20
CHKD:SMCGREEVY	2012/11/29
APPR:STORIFFIN	2013/03/05
REV	DESCRIPTION
A	

QUALITY SYMBOLS	GENERAL TOLERANCES (UNLESS SPECIFIED)
▽=0	
∇=0	
	mm INCH
	4 PLACES ± --- ± ---
	3 PLACES ± --- ± ---
	2 PLACES ± 0.15 ± ---
	1 PLACE ± 0.25 ± ---
	ANGULAR ± 2 °
	DRAFT WHERE APPLICABLE MUST REMAIN WITHIN DIMENSIONS

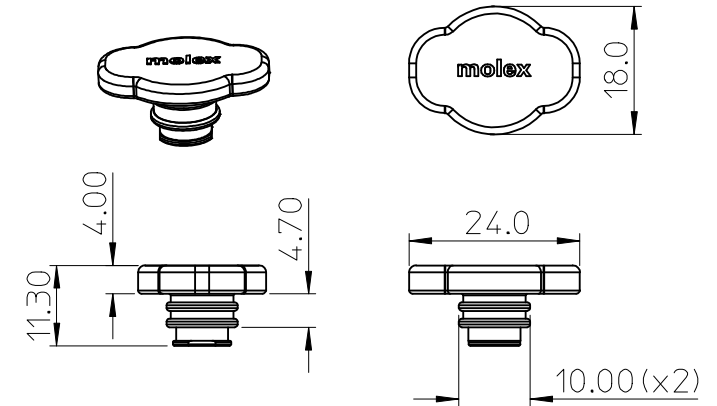
DIMENSION STYLE	
MM ONLY	
DRAWN BY	DATE
DBYRNES	2011/06/22
CHECKED BY	DATE
SMCGREEVY	2011/08/16
APPROVED BY	DATE
EFOLAN	2011/08/26
MATERIAL NO.	
933010201	
SIZE	
A3	

SCALE	DESIGN UNITS	THIRD ANGLE PROJECTION
2:1	METRIC	
TITLE		
SOLARSPEC PANEL MOUNT DC PIN ASSY CONNECTOR		
14 - 10 AWG		
MOLEX INCORPORATED		
MATERIAL NO.	DOCUMENT NO.	SHEET NO.
933010201	SD-93301-003	1 OF 1

93301-9001



93301-9002



NOTE'S

1. MATERIAL - SILICONE NE-7150
2. PARTS MUST BE RoHS COMPLIANT.
3. SUITABLE FOR USE WITH MOLEX SERIES 93301 & 130244 SOLARSPEC CONNECTORS.
4. PACKAGING SPECIFICATION: SEE CHART.

PART No.	DESCRIPTION	PKG SPEC
93301-9001	FEMALE SOCKET DUST CAP.	PK-93301-011
93301-9002	MALE PIN DUSTCAP.	PK-93301-012

ORIGINAL RELEASE EC NO: IPG2013-0910 DRWN:DBYRNES 2012/09/18 CHKD:CKNOWLES 2012/12/14 APPR:STGRIFFIN 2012/12/14	DESCRIPTION A	QUALITY SYMBOLS	GENERAL TOLERANCES (UNLESS SPECIFIED)	DIMENSION STYLE MM ONLY	SCALE 1:1	DESIGN UNITS METRIC	THIRD ANGLE PROJECTION
		$\nabla=0$ $\sphericalangle=0$	mm INCH 4 PLACES ± --- ± --- 3 PLACES ± --- ± --- 2 PLACES ± 0.25 ± --- 1 PLACE ± 0.38 ± --- 0 PLACE ± --- ± ---	DRAWN BY DATE DBYRNES 2012/09/18 CHECKED BY DATE CKNOWLES 2012/12/14 APPROVED BY DATE STGRIFFIN 2012/12/14	TITLE	93301 SERIES SOLARSPEC DUSTCAPS	
		ANGULAR ± 2 °	DRAFT WHERE APPLICABLE MUST REMAIN WITHIN DIMENSIONS	MATERIAL NO.	DOCUMENT NO.	SHEET NO.	
		SEE CHART		SD-93301-009		1 OF 1	
		THIS DRAWING CONTAINS INFORMATION THAT IS PROPRIETARY TO MOLEX INCORPORATED AND SHOULD NOT BE USED WITHOUT WRITTEN PERMISSION					