



Chipsmall Limited consists of a professional team with an average of over 10 year of expertise in the distribution of electronic components. Based in Hongkong, we have already established firm and mutual-benefit business relationships with customers from,Europe,America and south Asia,supplying obsolete and hard-to-find components to meet their specific needs.

With the principle of “Quality Parts,Customers Priority,Honest Operation,and Considerate Service”,our business mainly focus on the distribution of electronic components. Line cards we deal with include Microchip,ALPS,ROHM,Xilinx,Pulse,ON,Everlight and Freescale. Main products comprise IC,Modules,Potentiometer,IC Socket,Relay,Connector.Our parts cover such applications as commercial,industrial, and automotives areas.

We are looking forward to setting up business relationship with you and hope to provide you with the best service and solution. Let us make a better world for our industry!



## Contact us

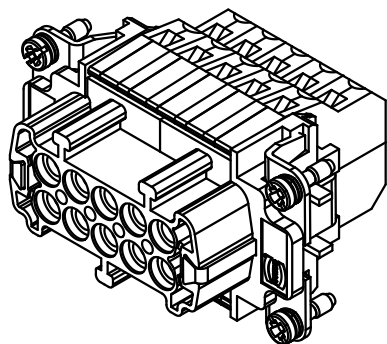
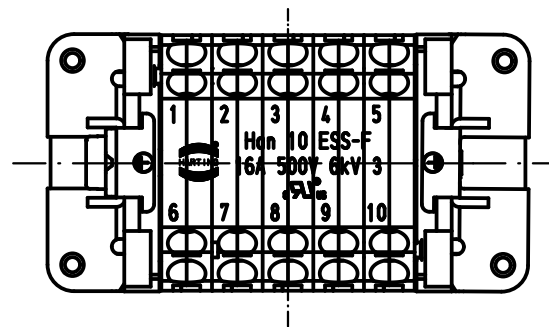
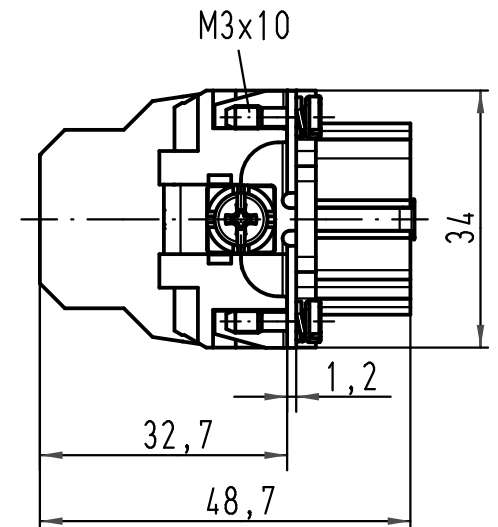
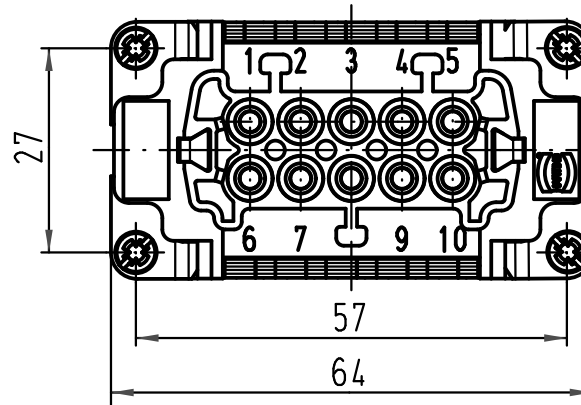
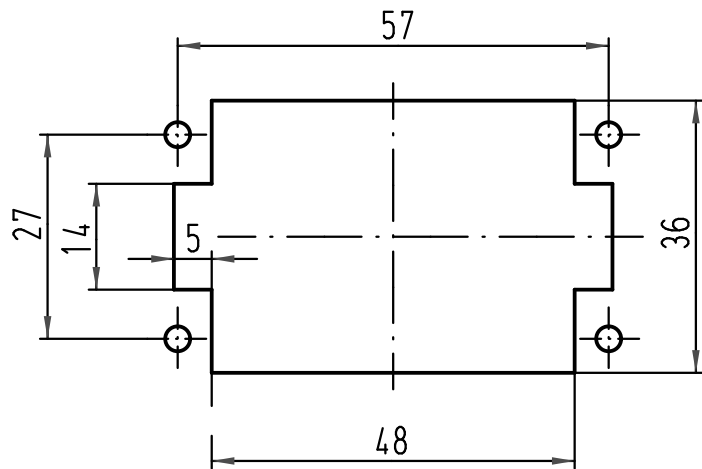
Tel: +86-755-8981 8866 Fax: +86-755-8427 6832

Email & Skype: info@chipsmall.com Web: www.chipsmall.com

Address: A1208, Overseas Decoration Building, #122 Zhenhua RD., Futian, Shenzhen, China



Montageausschnitt/  
panel cut out



ALL Dimensions in mm Original Size DIN A 4			Techn. Character.			Nicht tolerierte Maß/Free size tolerances			
			Dat.	Name	Maßstab/Scale	<b>Han 10ESS-F</b> Buchseneinsatz / female insert			
			Detail.	03.05.02					Loe.
			Insp.						HERB
			Stand.						
414268	08.12.08	ML			1:1	<b>TB 09 33 010 2772</b>			
410526	18.07.03	Ho							
410049									
Mod.	Dat.	Name	HARTING Electric GmbH & Co. KG D-32339 Espelkamp						
						Sub.		Blatt/page	