



Chipsmall Limited consists of a professional team with an average of over 10 year of expertise in the distribution of electronic components. Based in Hongkong, we have already established firm and mutual-benefit business relationships with customers from,Europe,America and south Asia,supplying obsolete and hard-to-find components to meet their specific needs.

With the principle of "Quality Parts,Customers Priority,Honest Operation,and Considerate Service",our business mainly focus on the distribution of electronic components. Line cards we deal with include Microchip,ALPS,ROHM,Xilinx,Pulse,ON,Everlight and Freescale. Main products comprise IC,Modules,Potentiometer,IC Socket,Relay,Connector.Our parts cover such applications as commercial,industrial, and automotives areas.

We are looking forward to setting up business relationship with you and hope to provide you with the best service and solution. Let us make a better world for our industry!



## Contact us

Tel: +86-755-8981 8866 Fax: +86-755-8427 6832

Email & Skype: info@chipsmall.com Web: www.chipsmall.com

Address: A1208, Overseas Decoration Building, #122 Zhenhua RD., Futian, Shenzhen, China



5

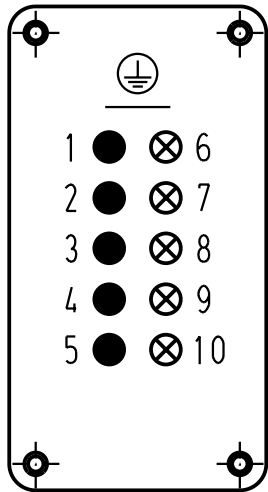
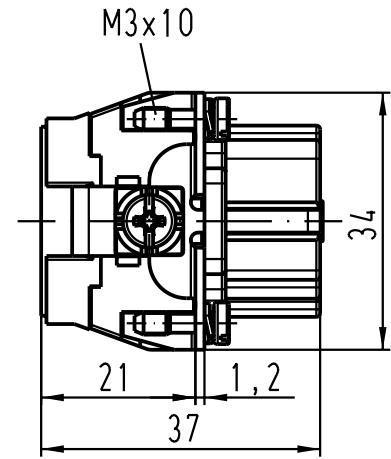
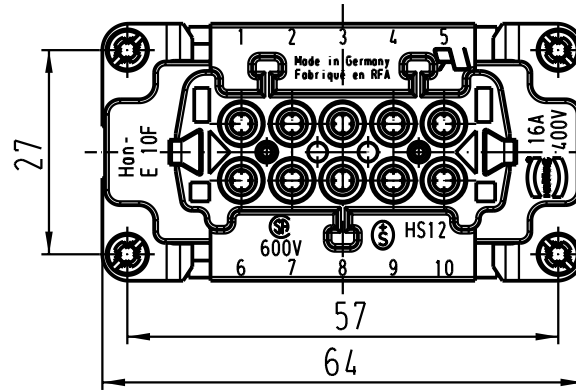
4

3

2

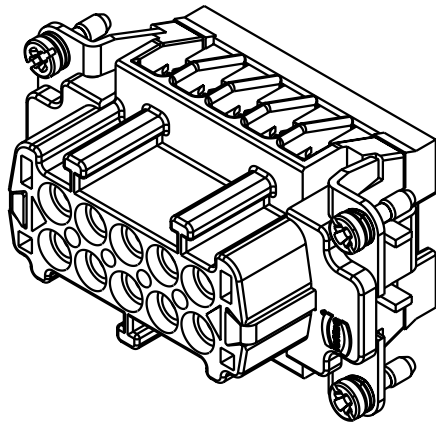
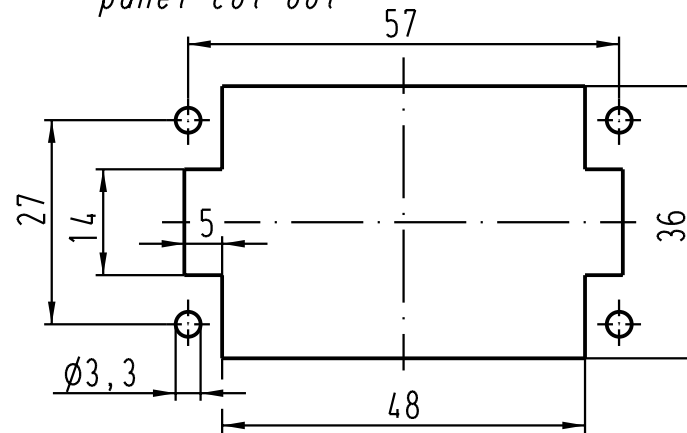
1

Kontaktanordnung  
(Ansicht Anschlussseite)  
contact arrangement  
(view from termination side)



- Kontakte Fe (vergoldet)  
contacts Fe (goldplated)
- ⊗ Kontakte CuNi  
contacts CuNi

Montageausschnitt /  
panel cut out



	All Dimensions in mm Original Size DIN A 4			Techn. Character.		Nicht tolerierte Masse / Free size tolerances	
				Dat.	Name	Massstab / Scale	
				Detail.	19.09.03	Ho	<b>Han 10E-F-s</b> Buchseneinsatz / female insert
				Insp.		KR	
				Stand.			
410694				HARTING Electric GmbH & Co. KG			<b>TB 09 33 010 2791</b>
Mod.	Dat.	Name	D-32339 Espelkamp			Sub. TB 09 33 010 2791 v. 23.03.93	
							Blatt / page

D

C

B

A