



Chipsmall Limited consists of a professional team with an average of over 10 year of expertise in the distribution of electronic components. Based in Hongkong, we have already established firm and mutual-benefit business relationships with customers from,Europe,America and south Asia,supplying obsolete and hard-to-find components to meet their specific needs.

With the principle of “Quality Parts,Customers Priority,Honest Operation,and Considerate Service”,our business mainly focus on the distribution of electronic components. Line cards we deal with include Microchip,ALPS,ROHM,Xilinx,Pulse,ON,Everlight and Freescale. Main products comprise IC,Modules,Potentiometer,IC Socket,Relay,Connector.Our parts cover such applications as commercial,industrial, and automotives areas.

We are looking forward to setting up business relationship with you and hope to provide you with the best service and solution. Let us make a better world for our industry!



## Contact us

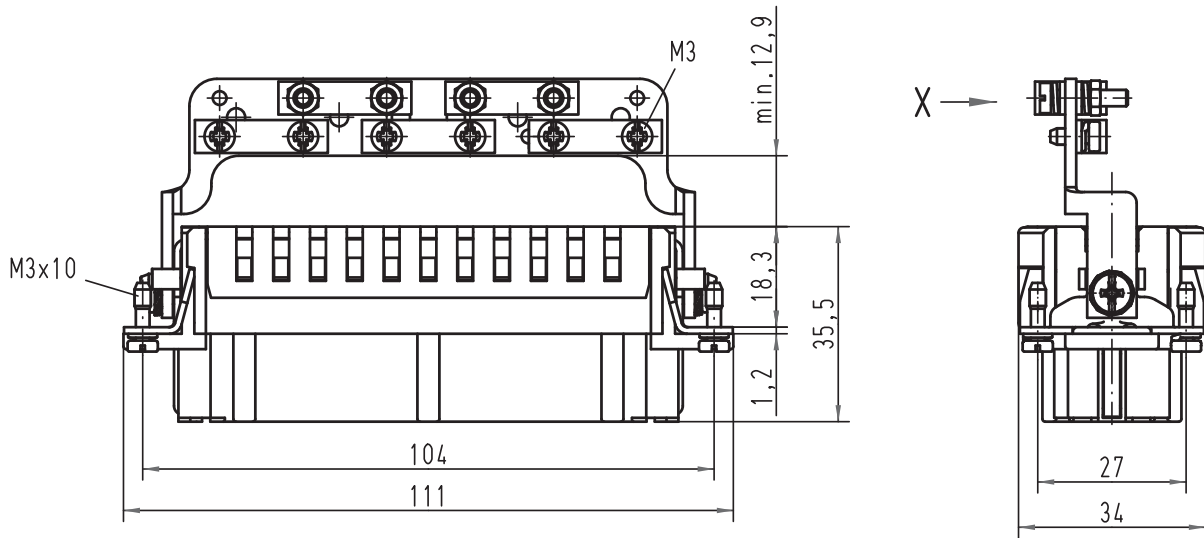
Tel: +86-755-8981 8866 Fax: +86-755-8427 6832

Email & Skype: info@chipsmall.com Web: www.chipsmall.com

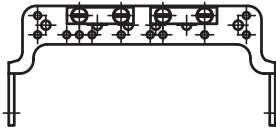
Address: A1208, Overseas Decoration Building, #122 Zhenhua RD., Futian, Shenzhen, China



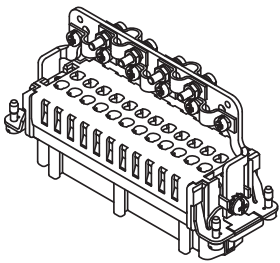
Alle Rechte vorbehalten/ All rights reserved





X 1:2  
Darstellung ohne Einsatz/  
view without insert



Bügel bestückt mit 7 Schellen für Kabel  $\phi 5$ /  
Lever mounted with 7 cable clamps for cable  $\phi 5$



 All Dimensions in mm Original Size DIN A 4		Techn. Character.			Nicht tolerierte Maß/Free size tolerances		
			Dat.	Name	Maßstab/Scale		
			Detail.	11.01.94	Sper	1:1 1:2	
413214	07.11.07	Rull	Insp.		Sdt		
29663	23.08.01	Pae	Stand.			Han 24E-F-c mit Bügel für geschirmte Leitungen/ with lever for shielding cable	
19969	13.02.96	Sper					
17274	14.09.94	Sper					
Mod.	Dat.	Name	HARTING Electric GmbH & Co. KG D-32339 Espelkamp			 TB 09 33 024 2754 Sub.	Blatt/page