



Chipsmall Limited consists of a professional team with an average of over 10 year of expertise in the distribution of electronic components. Based in Hongkong, we have already established firm and mutual-benefit business relationships with customers from,Europe,America and south Asia,supplying obsolete and hard-to-find components to meet their specific needs.

With the principle of "Quality Parts,Customers Priority,Honest Operation,and Considerate Service",our business mainly focus on the distribution of electronic components. Line cards we deal with include Microchip,ALPS,ROHM,Xilinx,Pulse,ON,Everlight and Freescale. Main products comprise IC,Modules,Potentiometer,IC Socket,Relay,Connector.Our parts cover such applications as commercial,industrial, and automotives areas.

We are looking forward to setting up business relationship with you and hope to provide you with the best service and solution. Let us make a better world for our industry!



## Contact us

Tel: +86-755-8981 8866 Fax: +86-755-8427 6832

Email & Skype: info@chipsmall.com Web: www.chipsmall.com

Address: A1208, Overseas Decoration Building, #122 Zhenhua RD., Futian, Shenzhen, China



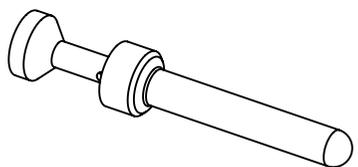
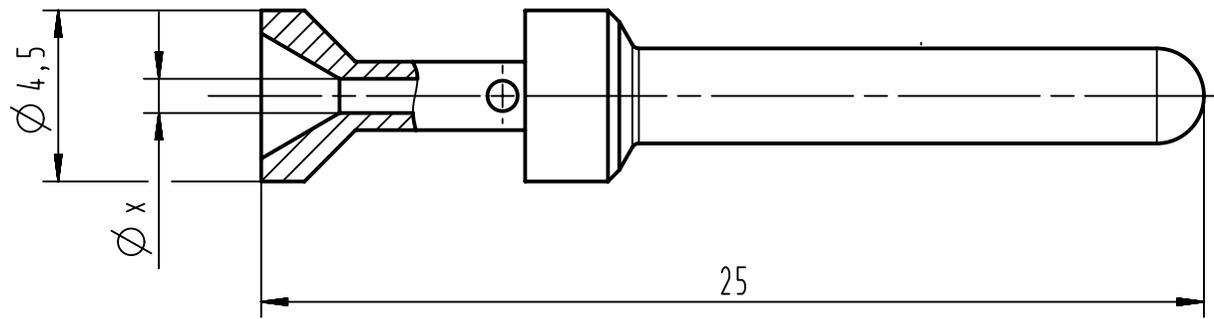
1                      2                      3                      4                      5                      6

A

B

C

D



Part No.	Ø x	wire gauge [mm <sup>2</sup> ]	AWG	stripping length
09 33 200 6117	0,90	0,14-0,37	26-22	7.5
09 33 200 6122	1,15	0,5	20	
09 33 200 6115	1,30	0,75	18	
09 33 200 6118	1,45	1	18	
09 33 200 6116	1,75	1,5	16	
09 33 200 6123	2,25	2,5	14	
09 33 200 6119	2,85	4	12	

	All Dimensions in mm Original Size DIN A4		Scale 5:1	Free size tol.		Ref.	
	All rights reserved		Created by SCHULZI	Inspected by RIEPE	Standardisation SCHMIDTM	Date 2013-01-30	State Final Release
Department EL PD - DE		Title Han E HMC male contact				Doc-Key / ECM-Nr. 100521786/UGD/001/A	
HARTING Electric GmbH & Co. KG D-32339 Espelkamp		Type TB	Number 09 33 200 61XX			Rev. A	Page 1/1