



Chipsmall Limited consists of a professional team with an average of over 10 year of expertise in the distribution of electronic components. Based in Hongkong, we have already established firm and mutual-benefit business relationships with customers from,Europe,America and south Asia,supplying obsolete and hard-to-find components to meet their specific needs.

With the principle of “Quality Parts,Customers Priority,Honest Operation,and Considerate Service”,our business mainly focus on the distribution of electronic components. Line cards we deal with include Microchip,ALPS,ROHM,Xilinx,Pulse,ON,Everlight and Freescale. Main products comprise IC,Modules,Potentiometer,IC Socket,Relay,Connector.Our parts cover such applications as commercial,industrial, and automotives areas.

We are looking forward to setting up business relationship with you and hope to provide you with the best service and solution. Let us make a better world for our industry!



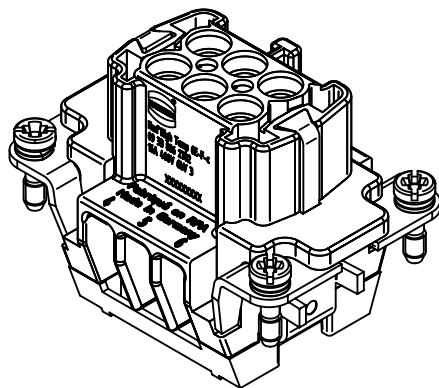
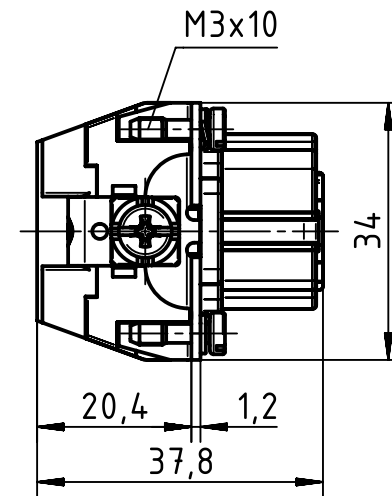
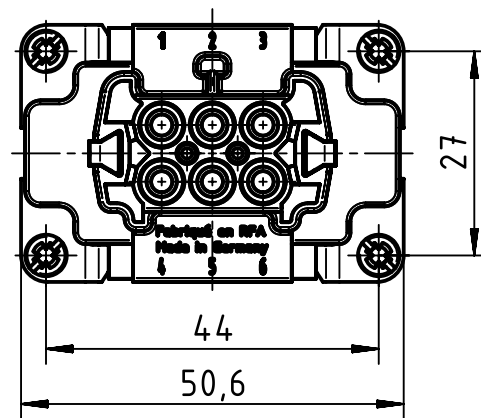
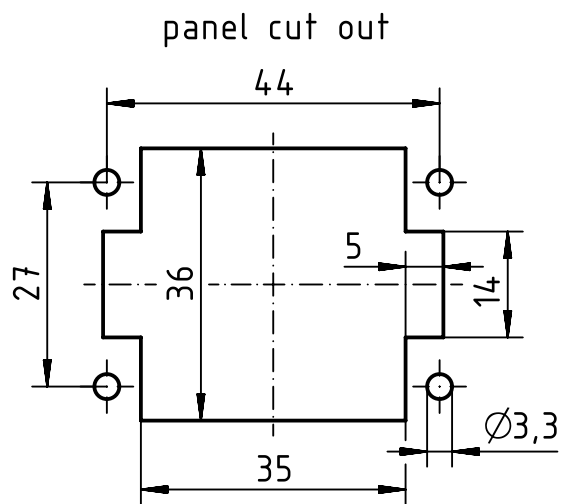
Contact us

Tel: +86-755-8981 8866 Fax: +86-755-8427 6832

Email & Skype: info@chipsmall.com Web: www.chipsmall.com

Address: A1208, Overseas Decoration Building, #122 Zhenhua RD., Futian, Shenzhen, China





	All Dimensions in mm Original Size DIN A4		Scale 1:1	Free size tol.		Ref.
			Created by HOLLERT	Inspected by SPILKERN	Standardisation SCHMIDTM	Date 2014-01-23
All rights reserved Department EL PD - DE		Title Han High Temp 6E-c female		State Final Release		Doc-Key / ECM-Nr. 100528319/UGD/001/B 500000070901
HARTING Electric GmbH & Co. KG D-32339 Espelkamp		Type TB	Number 09 33 806 2702		Rev. B	Page 1/1