



Chipsmall Limited consists of a professional team with an average of over 10 year of expertise in the distribution of electronic components. Based in Hongkong, we have already established firm and mutual-benefit business relationships with customers from,Europe,America and south Asia,supplying obsolete and hard-to-find components to meet their specific needs.

With the principle of “Quality Parts,Customers Priority,Honest Operation,and Considerate Service”,our business mainly focus on the distribution of electronic components. Line cards we deal with include Microchip,ALPS,ROHM,Xilinx,Pulse,ON,Everlight and Freescale. Main products comprise IC,Modules,Potentiometer,IC Socket,Relay,Connector.Our parts cover such applications as commercial,industrial, and automotives areas.

We are looking forward to setting up business relationship with you and hope to provide you with the best service and solution. Let us make a better world for our industry!



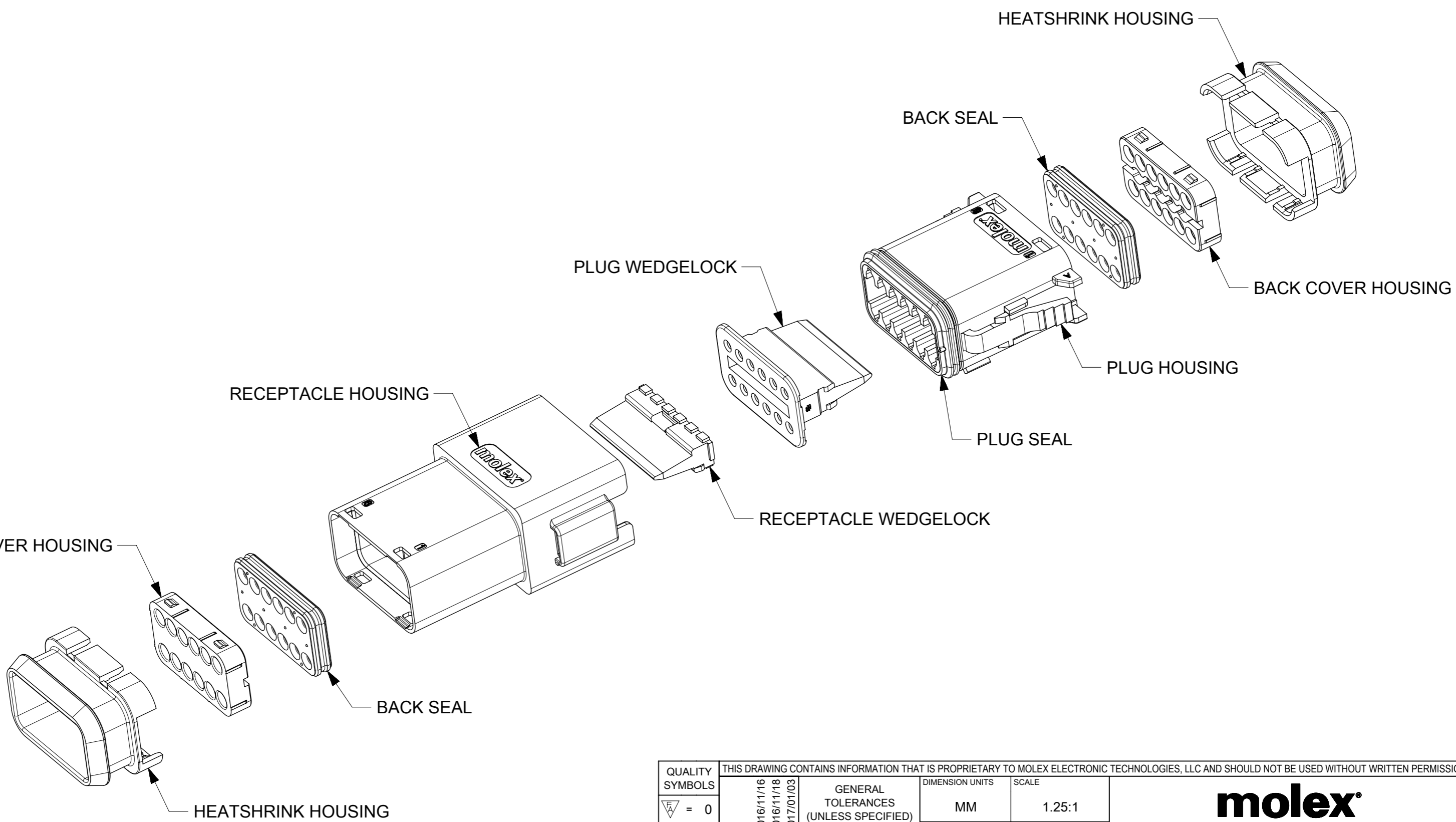
## Contact us

Tel: +86-755-8981 8866 Fax: +86-755-8427 6832

Email & Skype: info@chipsmall.com Web: www.chipsmall.com

Address: A1208, Overseas Decoration Building, #122 Zhenhua RD., Futian, Shenzhen, China

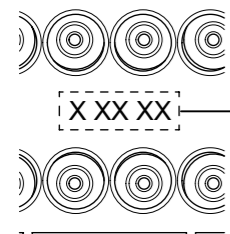
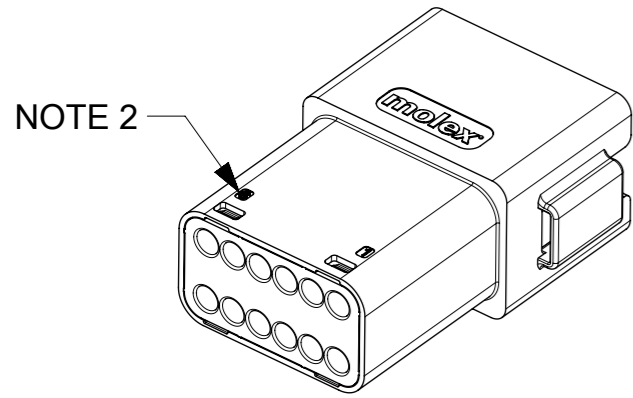




**NOTES**  
1. SEE SHEETS 2 - 9 FOR UNSPECIFIED NOTES, DIMENSIONS & PART NUMBERS

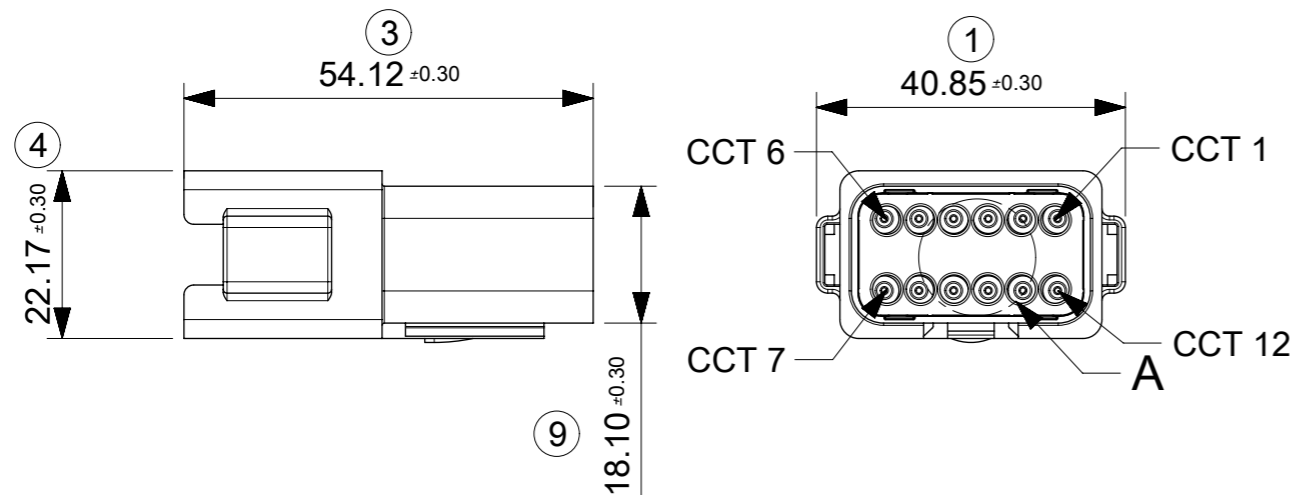
THIS DRAWING CONTAINS INFORMATION THAT IS PROPRIETARY TO MOLEX ELECTRONIC TECHNOLOGIES, LLC AND SHOULD NOT BE USED WITHOUT WRITTEN PERMISSION												
<b>QUALITY SYMBOLS</b> ▽A = 0 ▽E = 0 ▽F = 0 ▼ = 0 ▽C = 0 ⊠ = 0 ■ = 0 ▽ = 0		EC NO: 110489 DRWN: JFLETCHER CHK'D: FDUGGAN APPR: JDWALLACE			2016/11/16 2016/11/18 2017/01/03		GENERAL TOLERANCES (UNLESS SPECIFIED) ANGULAR TOL ± 2.0 ° 4 PLACES ± 3 PLACES ± 2 PLACES ± 0.1 1 PLACE ± 0.2 0 PLACES ±		DIMENSION UNITS: MM SCALE: 1.25:1		DRWN BY: JFLETCHER DATE: 2015/12/16	
SEE LONG TEXT		DRAFT WHERE APPLICABLE MUST REMAIN WITHIN DIMENSIONS		CHK'D BY: FDUGGAN DATE: 2016/01/08		APPR BY: JDWALLACE DATE: 2016/01/14		DRAWING SIZE: A3 THIRD ANGLE PROJECTION		PRODUCT CUSTOMER DRAWING		
SERIES: 93443		MATERIAL NUMBER: SEE NOTES		CUSTOMER: GENERAL MARKET		DOCUMENT NUMBER: 934430060		DOC TYPE: PSD		DOC PART: 000 SHEET NUMBER: 1 OF 9		

12CCT RECEPTACLE CONNECTOR

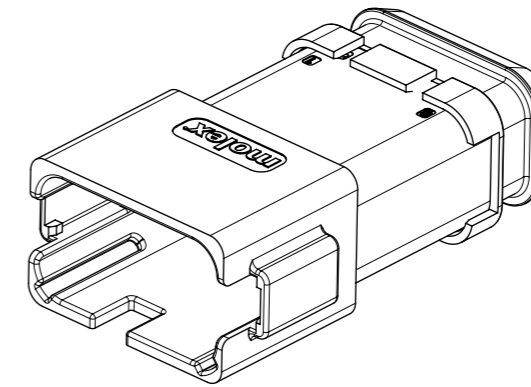


DETAIL A  
SCALE 2:1

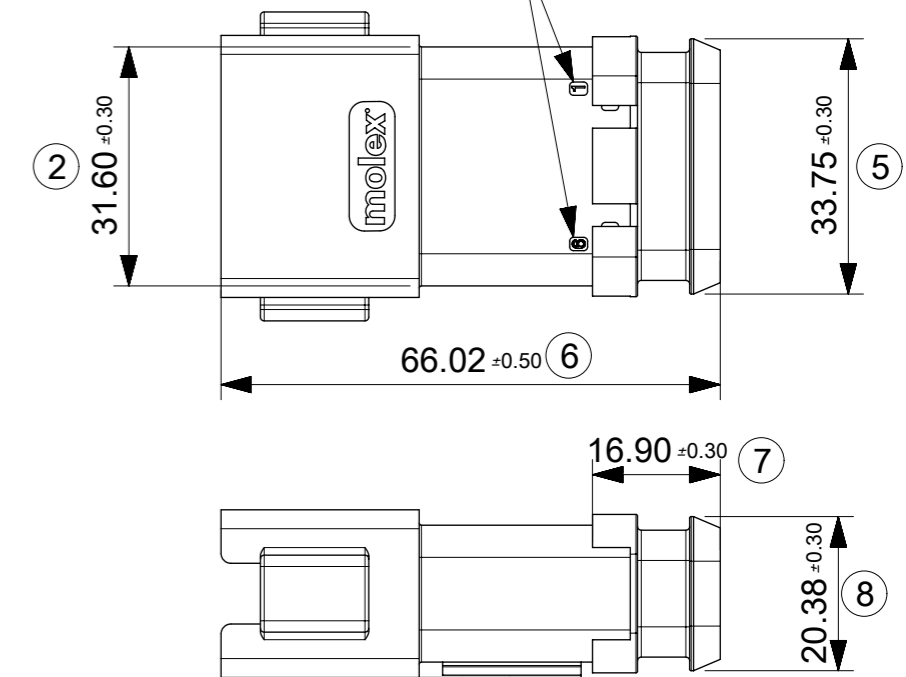
DATE CODE: X XX XX  
X — DAY: 1- 7  
X — WEEK: 01 - 52  
X — YEAR: 00 - 99  
# — MACHINE NO. 1  
EXAMPLE: 11315 = DAY 1, WEEK 13, YEAR 15  
i.e. 23rd OF MARCH 2015



12CCT RECEPTACLE CONNECTOR WITH HEATSHRINK HOUSING ULTRASONICALLY WELDED IN PLACE



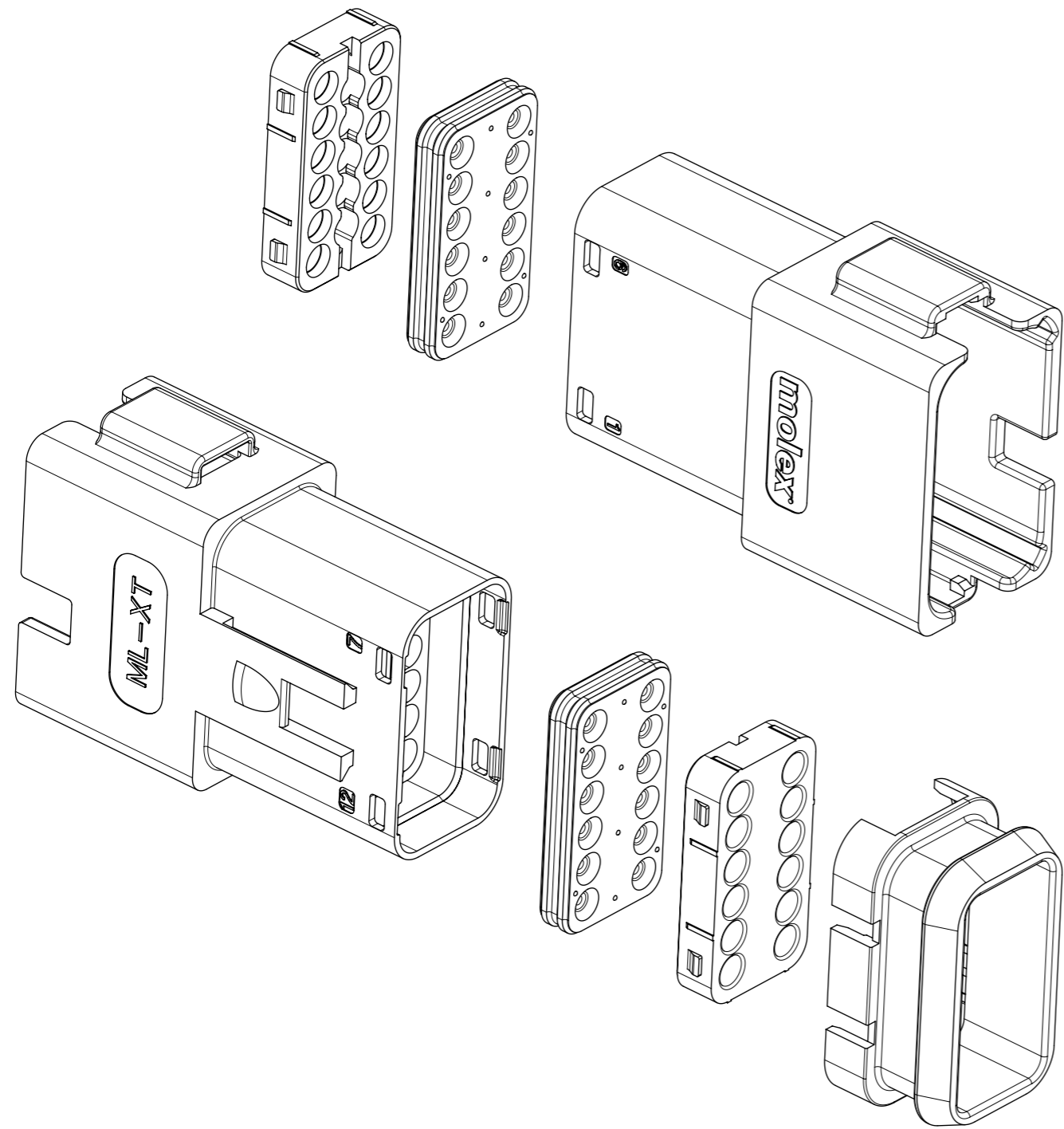
NOTE 2



NOTES

- MATERIAL  
HOUSING: NYLON 30% GF  
BACK SEAL: HIGH CONSISTENCY RUBBER
- CIRCUIT IDENTIFICATION
- JACKET RANGE LARGE =  $\varnothing$ 2.7MM TO 3.6MM (SEAL COLOUR: LIGHT BLUE)  
JACKET RANGE SMALL =  $\varnothing$ 1.4MM TO 2.7MM (SEAL COLOUR: BURNT ORANGE)
- SEE SHEET 3 FOR FINAL PART NUMBER DESIGNATION
- SEE 934430010 PS P FOR PRODUCT SPECIFICATION
- SEE 934430002 PS K OR 934430010 PS K FOR PACKAGING SPECIFICATION
- INSPECTION NUMBERS 1-50 RESERVED FOR SHEET 2  
LAST INSPECTION NUMBER: 9

THIS DRAWING CONTAINS INFORMATION THAT IS PROPRIETARY TO MOLEX ELECTRONIC TECHNOLOGIES, LLC AND SHOULD NOT BE USED WITHOUT WRITTEN PERMISSION											
QUALITY SYMBOLS	SEE LONG TEXT	EC NO: 110489 DRWN: JFLETCHER CHK'D: FDUGGAN APPR: JDWALLACE	GENERAL TOLERANCES (UNLESS SPECIFIED)		DIMENSION UNITS	SCALE	<p>12CCT ML-XT CV CONNECTOR SYSTEM</p> <p>PRODUCT CUSTOMER DRAWING</p>				
			ANGULAR TOL $\pm$ 2.0 °		MM	1:1					
			4 PLACES $\pm$	3 PLACES $\pm$	JFLETCHER	DATE				2015/12/16	
			2 PLACES $\pm$ 0.1	1 PLACE $\pm$ 0.2	FDUGGAN	DATE				2016/01/08	
0 PLACES $\pm$	DRAFT WHERE APPLICABLE MUST REMAIN WITHIN DIMENSIONS		APPR BY	DATE	JDWALLACE	2016/01/14	SERIES	MATERIAL NUMBER	CUSTOMER		
							93443	SEE NOTES	GENERAL MARKET		
					DRAWING SIZE	THIRD ANGLE PROJECTION	DOCUMENT NUMBER		DOC TYPE	DOC PART	SHEET NUMBER
					A3		934430060		PSD	000	2 OF 9



12CCT RECEPTACLE CONNECTOR

SERIES NO. 93444

CIRCUIT SIZE  
6 = 12CCT

ASSEMBLY OPTIONS

- 1 = RECEPTACLE ASSEMBLY FOR WIRE JACKET RANGE  $\varnothing$ 1.4mm - 2.7mm
- 2 = RECEPTACLE ASSEMBLY FOR WIRE JACKET RANGE  $\varnothing$ 2.7mm - 3.6mm
- 5 = RECEPTACLE ASSEMBLY & HEATSHRINK FOR WIRE JACKET RANGE  $\varnothing$ 1.4mm - 2.7mm
- 6 = RECEPTACLE ASSEMBLY & HEATSHRINK FOR WIRE JACKET RANGE  $\varnothing$ 2.7mm - 3.6mm

KEYING / COLOUR OPTION

- 12 = KEYING OPTION A (GREY)
- 21 = KEYING OPTION B (BLACK)
- 33 = KEYING OPTION C (GREEN)
- 47 = KEYING OPTION D (BROWN)

EXAMPLE:

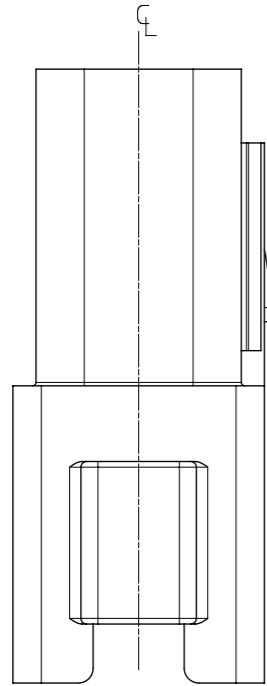
12CCT RECEPT & HEATSHRINK FOR WIRE JACKET RANGE  $\varnothing$ 1.4mm-2.7mm, KEYING OPTION A (GREY): 93444-6512

NOTES

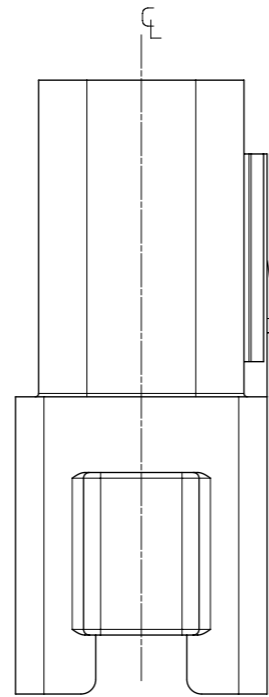
1. SEE SHEET 2 FOR UNSPECIFIED NOTES AND DIMENSIONS
2. BACK COVER COLOUR: BLACK
3. HEATSHRINK HOUSING COLOUR: BLACK

THIS DRAWING CONTAINS INFORMATION THAT IS PROPRIETARY TO MOLEX ELECTRONIC TECHNOLOGIES, LLC AND SHOULD NOT BE USED WITHOUT WRITTEN PERMISSION											
QUALITY SYMBOLS	A = 0 E = 0 EB = 0 ▼ = 0 C = 0 ⊗ = 0 ■ = 0 ▽ = 0	SEE LONG TEXT EC NO: 110489 DRWN: JFLETCHER CHK'D: FDUGGAN APPR: JDWALLACE	GENERAL TOLERANCES (UNLESS SPECIFIED)		DIMENSION UNITS	SCALE					
			ANGULAR TOL ± 2.0 °		MM	1.5:1					
			4 PLACES ±	DRWN BY		DATE	12CCT ML-XT CV CONNECTOR SYSTEM				
			3 PLACES ±	JFLETCHER		2015/12/16					
			2 PLACES ± 0.1	CHK'D BY		DATE	PRODUCT CUSTOMER DRAWING				
			1 PLACE ± 0.2	FDUGGAN		2016/01/08					
			0 PLACES ±	APPR BY		DATE	SERIES: 93443 MATERIAL NUMBER: SEE NOTES CUSTOMER: GENERAL MARKET				
			DRAFT WHERE APPLICABLE MUST REMAIN WITHIN DIMENSIONS	JDWALLACE		2016/01/14					
				DRAWING SIZE	THIRD ANGLE PROJECTION		DOCUMENT NUMBER: 934430060 DOC TYPE: PSD DOC PART: 000 SHEET NUMBER: 3 OF 9				
				A3							

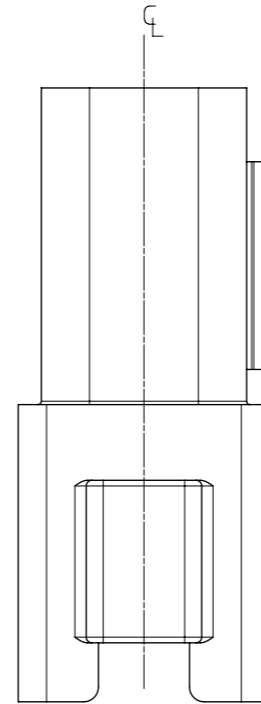
KEYING OPTION A



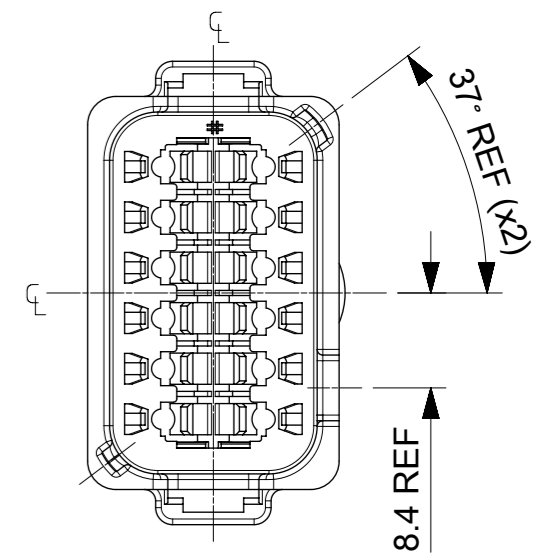
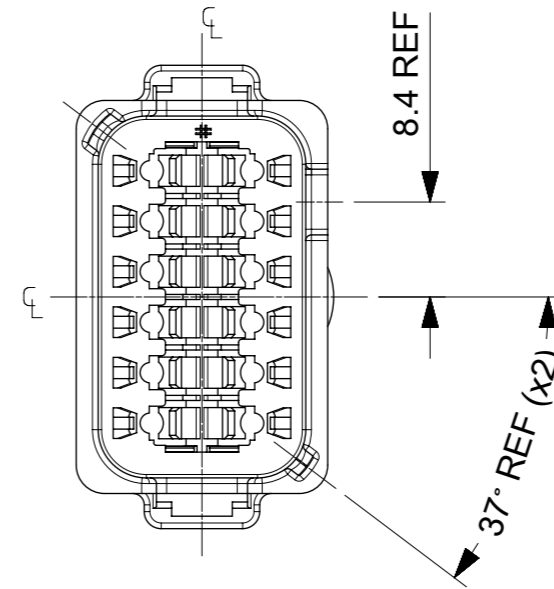
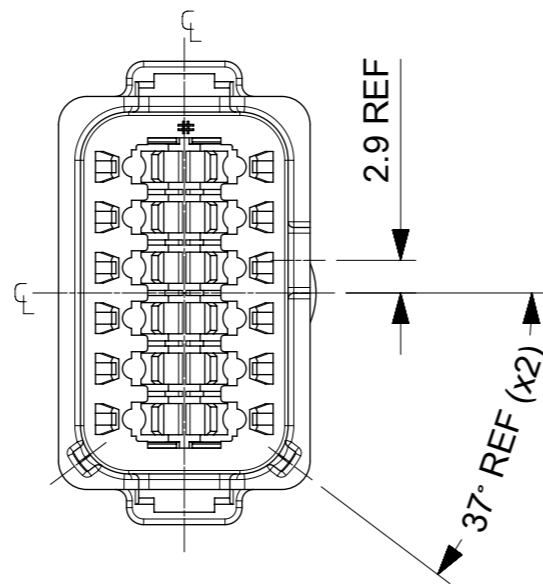
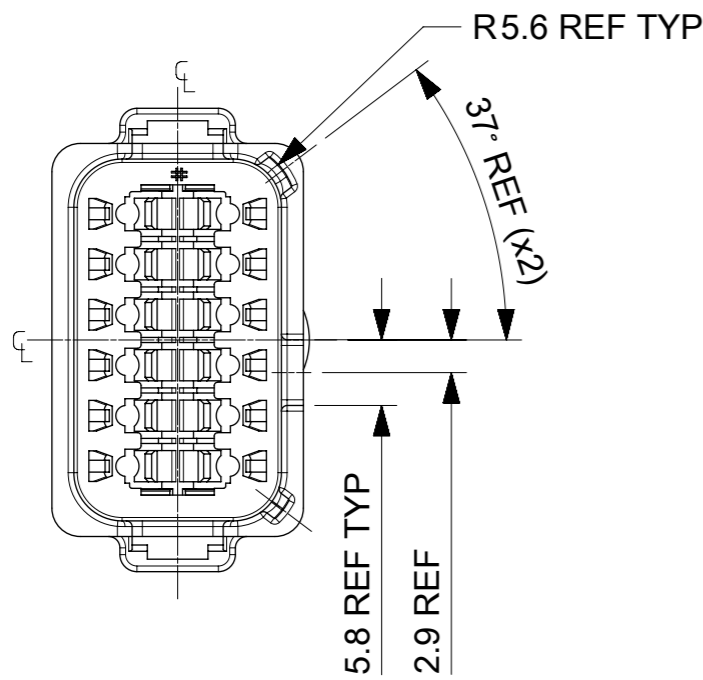
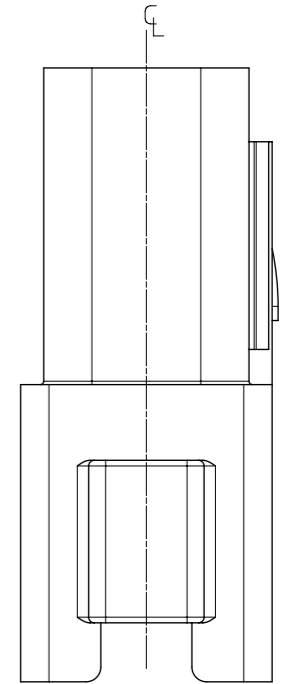
KEYING OPTION B



KEYING OPTION C

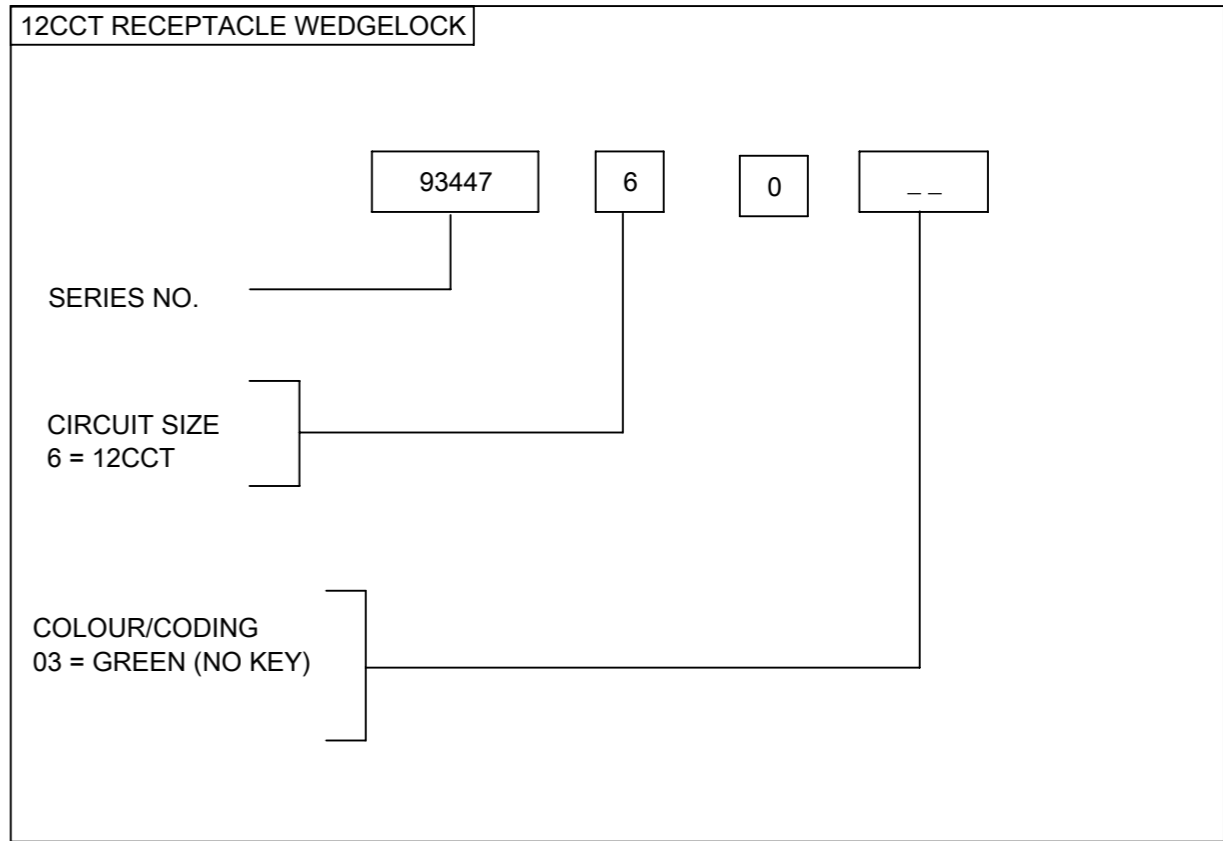
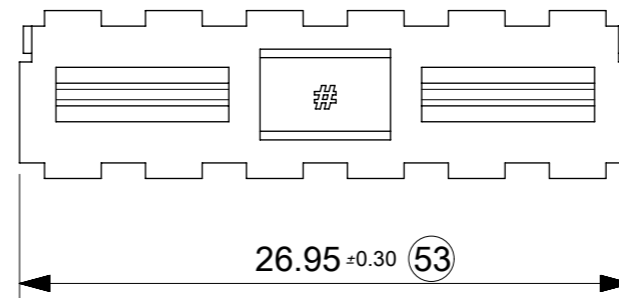
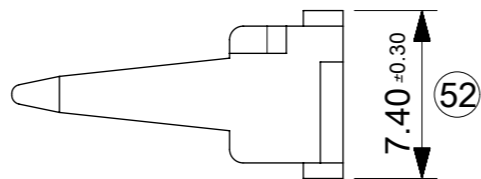
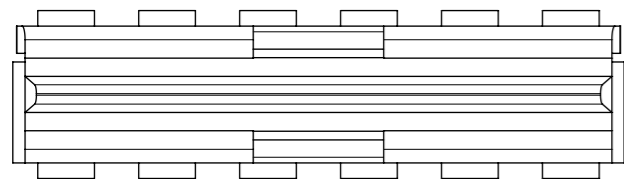
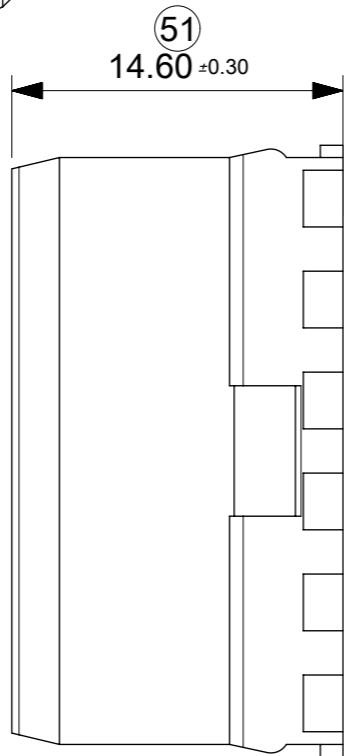
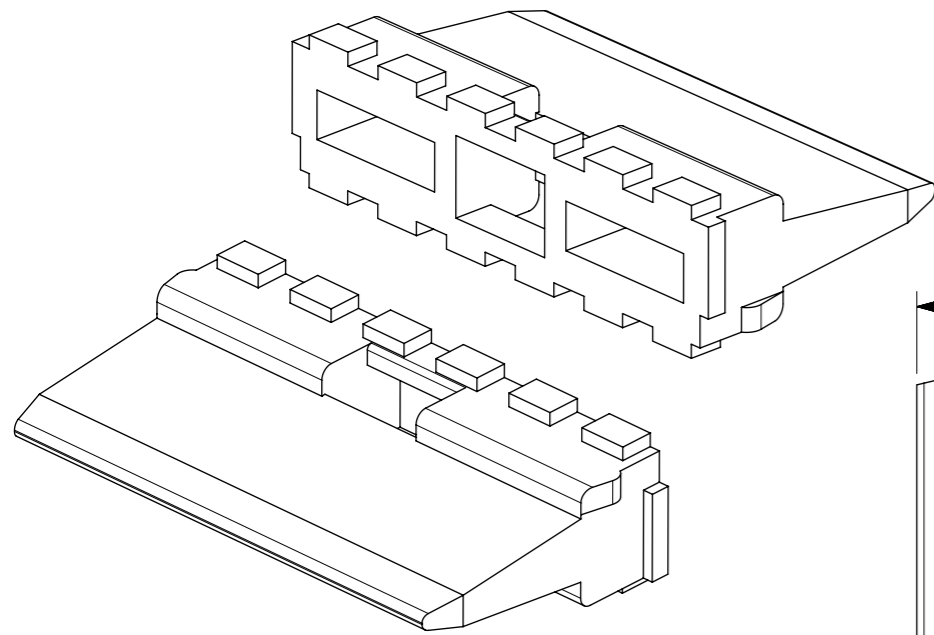


KEYING OPTION D



NOTES  
1. SEE SHEETS 2 & 3 FOR UNSPECIFIED NOTES AND DIMENSIONS

THIS DRAWING CONTAINS INFORMATION THAT IS PROPRIETARY TO MOLEX ELECTRONIC TECHNOLOGIES, LLC AND SHOULD NOT BE USED WITHOUT WRITTEN PERMISSION											
QUALITY SYMBOLS		SEE LONG TEXT		EC NO: 110489		DRWN: JFLETCHER		CHK'D: FDUGGAN		APP'R: JDWALLACE	
▽A	= 0	2016/11/16	2016/11/18	GENERAL TOLERANCES (UNLESS SPECIFIED)		DIMENSION UNITS		SCALE		<p>12CCT ML-XT CV CONNECTOR SYSTEM</p> <p>PRODUCT CUSTOMER DRAWING</p>	
▽E	= 0	4 PLACES ±		ANGULAR TOL ± 2.0 °		MM		1.5:1			
▽B	= 0	3 PLACES ±		DRAFT WHERE APPLICABLE MUST REMAIN WITHIN DIMENSIONS		DRWN BY		DATE			
▽D	= 0	2 PLACES ± 0.1		DRAFT WHERE APPLICABLE MUST REMAIN WITHIN DIMENSIONS		JFLETCHER		2015/12/16			
▽C	= 0	1 PLACE ± 0.2		DRAFT WHERE APPLICABLE MUST REMAIN WITHIN DIMENSIONS		CHK'D BY		DATE		SERIES	
▽	= 0	0 PLACES ±		DRAFT WHERE APPLICABLE MUST REMAIN WITHIN DIMENSIONS		FDUGGAN		2016/01/08		93443	
▽	= 0	0 PLACES ±		DRAFT WHERE APPLICABLE MUST REMAIN WITHIN DIMENSIONS		APP'R BY		DATE		MATERIAL NUMBER	
▽	= 0	0 PLACES ±		DRAFT WHERE APPLICABLE MUST REMAIN WITHIN DIMENSIONS		JDWALLACE		2016/01/14		SEE NOTES	
▽	= 0	0 PLACES ±		DRAFT WHERE APPLICABLE MUST REMAIN WITHIN DIMENSIONS		DRAWING SIZE		THIRD ANGLE PROJECTION		CUSTOMER	
▽	= 0	0 PLACES ±		DRAFT WHERE APPLICABLE MUST REMAIN WITHIN DIMENSIONS		A3				GENERAL MARKET	
RELEASE STATUS		ER		RELEASE DATE		18.11.2016		14:44:06		DOCUMENT NUMBER	
										934430060	
										DOC TYPE	
										PSD	
										DOC PART	
										000	
										SHEET NUMBER	
										4 OF 9	

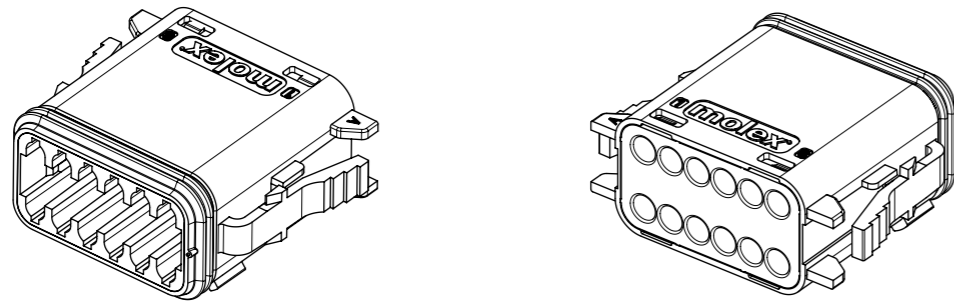


**NOTES**

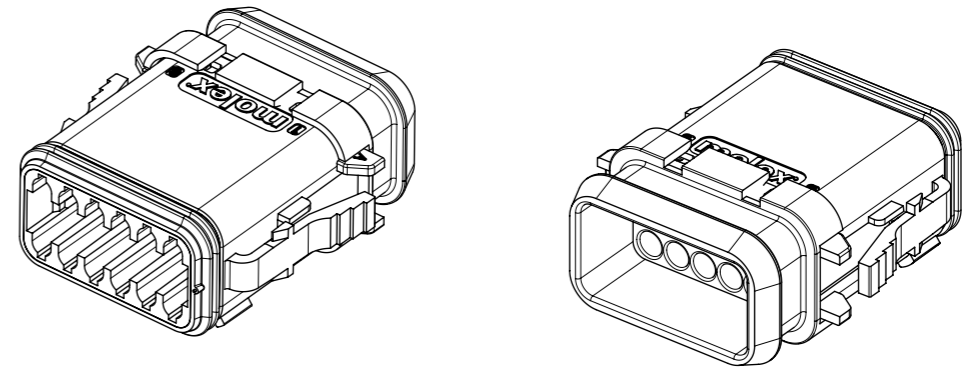
- MATERIAL  
HOUSING: NYLON 30% GLASS FILLED
- INSPECTION NUMBERS 51-100  
RESERVED FOR SHEET 5  
LAST INSPECTION NUMBER 53

THIS DRAWING CONTAINS INFORMATION THAT IS PROPRIETARY TO MOLEX ELECTRONIC TECHNOLOGIES, LLC AND SHOULD NOT BE USED WITHOUT WRITTEN PERMISSION														
QUALITY SYMBOLS		SEE LONG TEXT			GENERAL TOLERANCES (UNLESS SPECIFIED)		DIMENSION UNITS		SCALE		<p>12CCT ML-XT CV CONNECTOR SYSTEM</p> <p>PRODUCT CUSTOMER DRAWING</p>			
▽A	= 0	EC NO: 110489 DRWN: JFLETCHER CHK'D: FDUGGAN APPR: JDWALLACE	ANGULAR TOL ± 2.0 °		MM		3:1							
▽E	= 0		4 PLACES ±	DRWN BY		DATE								
▽F	= 0		3 PLACES ±	JFLETCHER		2015/12/16								
▽	= 0		2 PLACES ± 0.1	CHK'D BY		DATE								
▽C	= 0		1 PLACE ± 0.2	FDUGGAN		2016/01/08								
▽D	= 0		0 PLACES ±	1 PLACE ± 0.2		DATE								
▽	= 0	DRAFT WHERE APPLICABLE MUST REMAIN WITHIN DIMENSIONS		JDWALLACE		2016/01/14		APPR BY		DATE				
▽	= 0			DRAWING SIZE		THIRD ANGLE PROJECTION		A3						
RELEASE STATUS		ER	RELEASE DATE		18.11.2016		14:44:06		SERIES		MATERIAL NUMBER		CUSTOMER	
									93443		SEE NOTES		GENERAL MARKET	
									DOCUMENT NUMBER		DOC TYPE		DOC PART	
									934430060		PSD		000	
													SHEET NUMBER	
													5 OF 9	

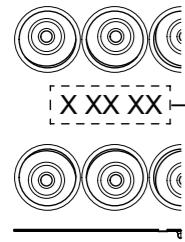
12CCT PLUG CONNECTOR



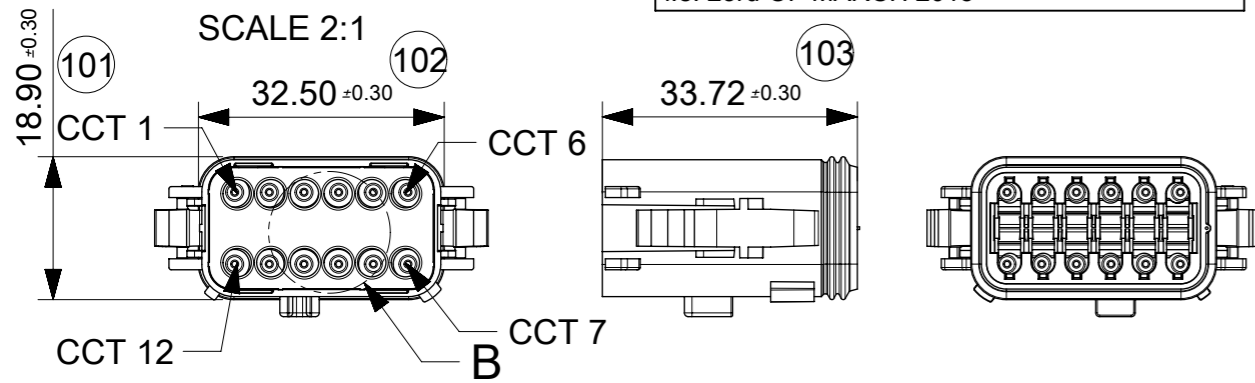
12CCT PLUG CONNECTOR WITH HEATSHRINK HOUSING ULTRASONICALLY WELDED IN PLACE



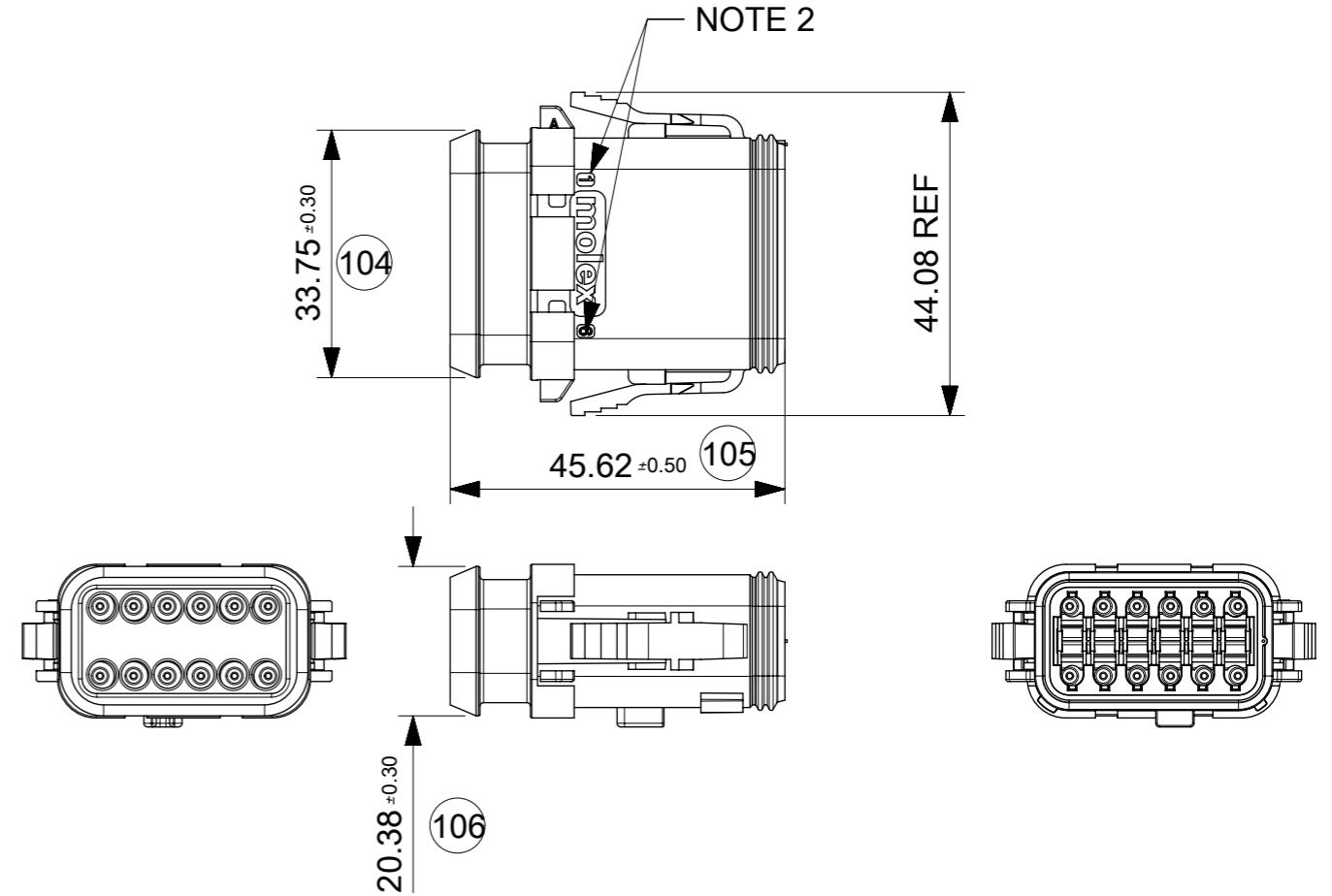
DATE CODE: X XX XX  
 X — DAY: 1- 7  
 X — WEEK: 01 - 52  
 X — YEAR: 00 - 99  
 # — MACHINE NO. 1  
 EXAMPLE: 11315 = DAY 1, WEEK 13, YEAR 15  
 i.e. 23rd OF MARCH 2015



DETAIL B  
 SCALE 2:1



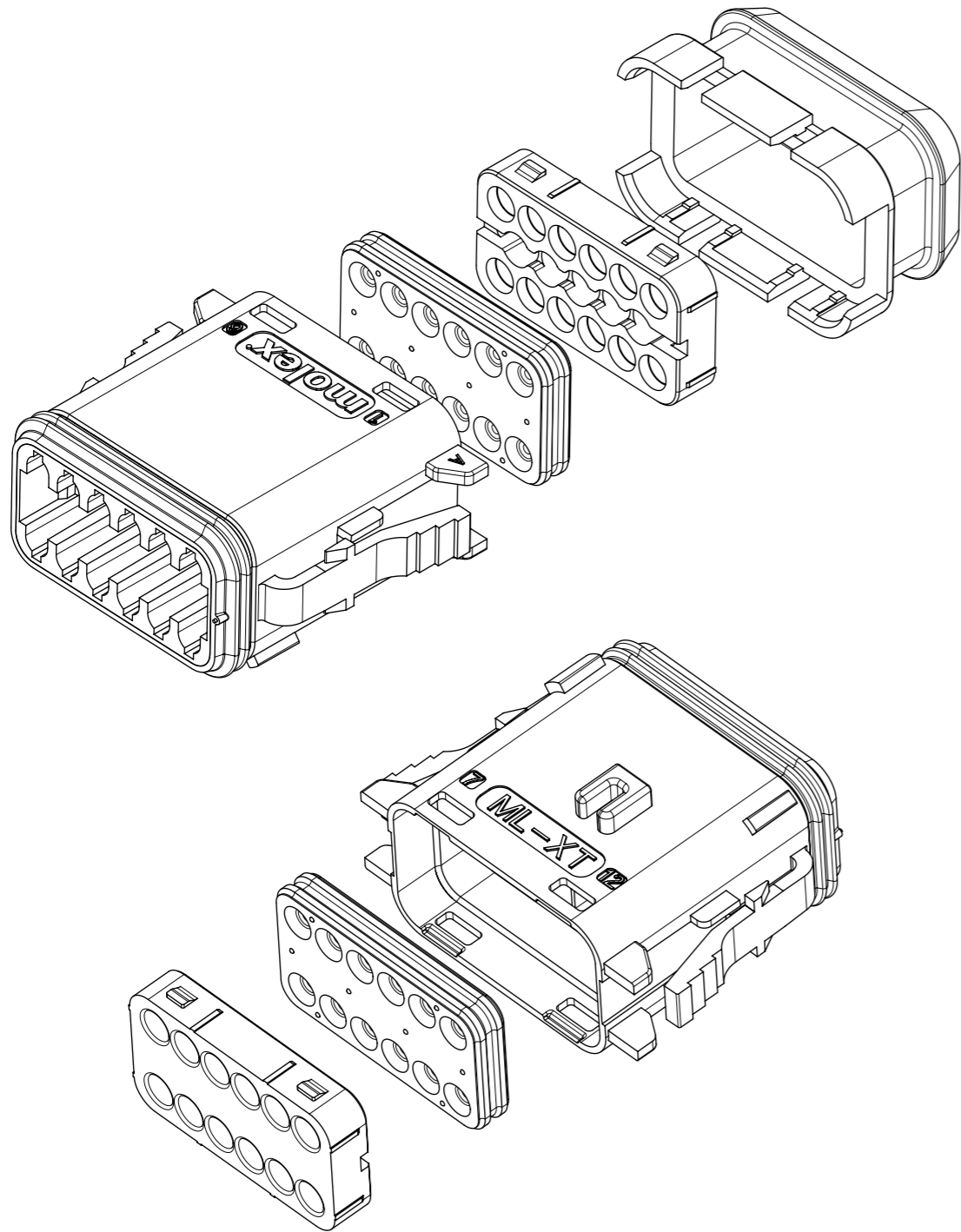
NOTE 2



NOTES

- MATERIAL  
 HOUSING: NYLON 30% GLASS FILL  
 PLUG SEAL: SILICONE  
 BACK SEAL: HIGH CONSISTENCY RUBBER
  - CIRCUIT IDENTIFICATION
  - JACKET RANGE LARGE =  $\varnothing$ 2.7mm TO 3.6mm (SEAL COLOUR: LIGHT BLUE)  
 JACKET RANGE SMALL =  $\varnothing$ 1.4mm TO 2.7mm (SEAL COLOUR: BURNT ORANGE)
  - SEE SHEET 7 FOR FINAL PART NUMBER DESIGNATION
  - SEE 934430010 PSP FOR PRODUCT SPECIFICATION
  - SEE 934430002 PS K OR 934430010 PS K FOR PACKAGING SPECIFICATION
- INSPECTION NUMBERS 101-150 RESERVED FOR SHEET 6  
 LAST INSPECTION NUMBER 106

THIS DRAWING CONTAINS INFORMATION THAT IS PROPRIETARY TO MOLEX ELECTRONIC TECHNOLOGIES, LLC AND SHOULD NOT BE USED WITHOUT WRITTEN PERMISSION										
QUALITY SYMBOLS	SEE LONG TEXT EC NO: 110489 DRWN: JFLETCHER CHK'D: FDUGGAN APPR: JDWALLACE	GENERAL TOLERANCES (UNLESS SPECIFIED)		DIMENSION UNITS	SCALE					
		4 PLACES ± 3 PLACES ± 2 PLACES ± 0.1 1 PLACE ± 0.2 0 PLACES ±		MM	1:1					
▽A = 0	EC NO: 110489 DRWN: JFLETCHER CHK'D: FDUGGAN APPR: JDWALLACE	ANGULAR TOL ± 2.0 °		DRWN BY	DATE	12CCT ML-XT CV CONNECTOR SYSTEM				
▽E = 0		DRAFT WHERE APPLICABLE MUST REMAIN WITHIN DIMENSIONS		JFLETCHER	2015/12/16					
▽F = 0		DRAFT WHERE APPLICABLE MUST REMAIN WITHIN DIMENSIONS		CHK'D BY	DATE	PRODUCT CUSTOMER DRAWING				
▽ = 0		DRAFT WHERE APPLICABLE MUST REMAIN WITHIN DIMENSIONS		FDUGGAN	2016/01/08					
▽ = 0		DRAFT WHERE APPLICABLE MUST REMAIN WITHIN DIMENSIONS		APPR BY	DATE	SERIES	MATERIAL NUMBER	CUSTOMER		
▽ = 0		DRAFT WHERE APPLICABLE MUST REMAIN WITHIN DIMENSIONS		JDWALLACE	2016/01/14	93443		GENERAL MARKET		
▽ = 0	DRAFT WHERE APPLICABLE MUST REMAIN WITHIN DIMENSIONS		DRAWING SIZE	THIRD ANGLE PROJECTION	DOCUMENT NUMBER		DOC TYPE	DOC PART	SHEET NUMBER	
▽ = 0	DRAFT WHERE APPLICABLE MUST REMAIN WITHIN DIMENSIONS		A3		934430060		PSD	000	6 OF 9	



12CCT PLUG CONNECTOR

SERIES NO.

93445

CIRCUIT SIZE  
6 = 12CCT

6

-

- -

ASSEMBLY OPTIONS

- 1 = PLUG ASSEMBLY FOR WIRE JACKET RANGE Ø1.4mm - 2.7mm
- 2 = PLUG ASSEMBLY FOR WIRE JACKET RANGE Ø2.7mm - 3.6mm
- 5 = PLUG ASSEMBLY & HEATSHRINK FOR WIRE JACKET RANGE Ø1.4mm - 2.7mm
- 6 = PLUG ASSEMBLY & HEATSHRINK FOR WIRE JACKET RANGE Ø2.7mm - 3.6mm

KEYING / COLOUR OPTION

- 12 = KEYING OPTION A (GREY)
- 21 = KEYING OPTION B (BLACK)
- 33 = KEYING OPTION C (GREEN)
- 47 = KEYING OPTION D (BROWN)

EXAMPLE:

12CCT PLUG & HEATSHRINK FOR WIRE JACKET RANGE Ø1.4mm-2.7mm, KEYING OPTION A (GREY): 93445-6512

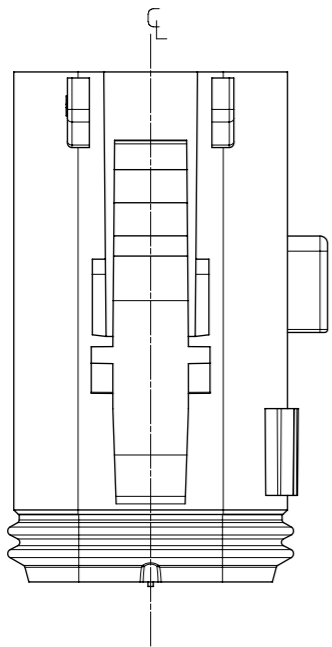
NOTES

- 1. SEE SHEET 6 FOR UNSPECIFIED NOTES AND DIMENSIONS
- 2. BACK COVER COLOUR: BLACK
- 3. HEATSHRINK HOUSING COLOUR: BLACK

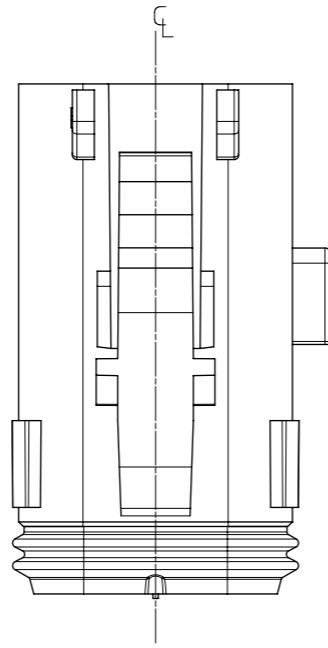
THIS DRAWING CONTAINS INFORMATION THAT IS PROPRIETARY TO MOLEX ELECTRONIC TECHNOLOGIES, LLC AND SHOULD NOT BE USED WITHOUT WRITTEN PERMISSION												
<p>QUALITY SYMBOLS</p> <p>▽A = 0</p> <p>▽E = 0</p> <p>▽F = 0</p> <p>▽ = 0</p> <p>▽C = 0</p> <p>▽ = 0</p> <p>■ = 0</p> <p>▽ = 0</p>	<p>SEE LONG TEXT</p> <p>EC NO: 110489</p> <p>DRWN: JFLETCHER</p> <p>CHK'D: FDUGGAN</p> <p>APPR: JDWALLACE</p> <p>2016/11/16</p> <p>2016/11/18</p> <p>2017/01/03</p>	GENERAL TOLERANCES (UNLESS SPECIFIED)		DIMENSION UNITS	SCALE							
		ANGULAR TOL ± 2.0 °		MM	1:1							
		4 PLACES ±	DRWN BY		DATE		<p>12CCT ML-XT CV CONNECTOR SYSTEM</p>					
		3 PLACES ±	JFLETCHER		2015/12/16							
		2 PLACES ± 0.1	CHK'D BY		DATE		<p>PRODUCT CUSTOMER DRAWING</p>					
		1 PLACE ± 0.2	FDUGGAN		2016/01/08							
0 PLACES ±	APPR BY		DATE		SERIES	MATERIAL NUMBER	CUSTOMER					
DRAFT WHERE APPLICABLE MUST REMAIN WITHIN DIMENSIONS	JDWALLACE		2016/01/14		93443		GENERAL MARKET					
		DRAWING SIZE	THIRD ANGLE PROJECTION		DOCUMENT NUMBER		DOC TYPE	DOC PART	SHEET NUMBER			
		A3			934430060		PSD	000	7 OF 9			



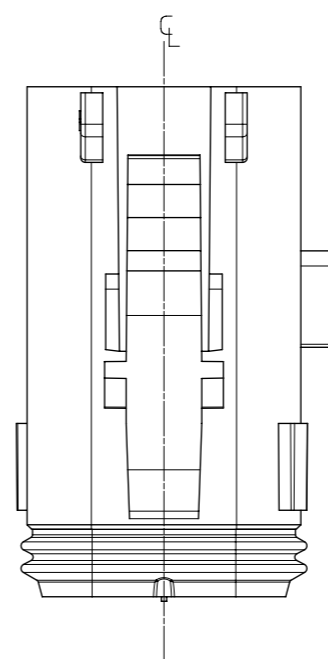
KEYING OPTION A



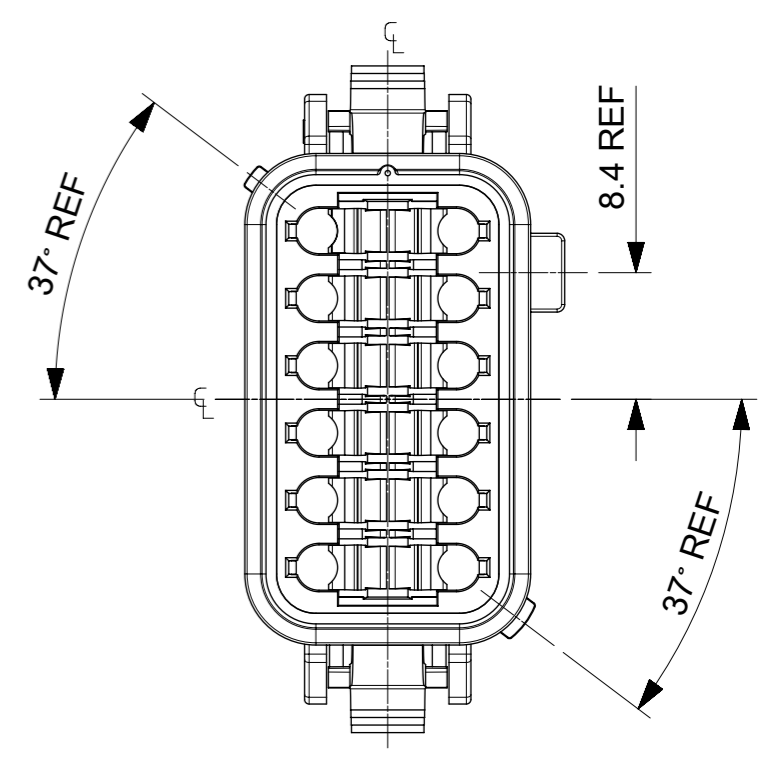
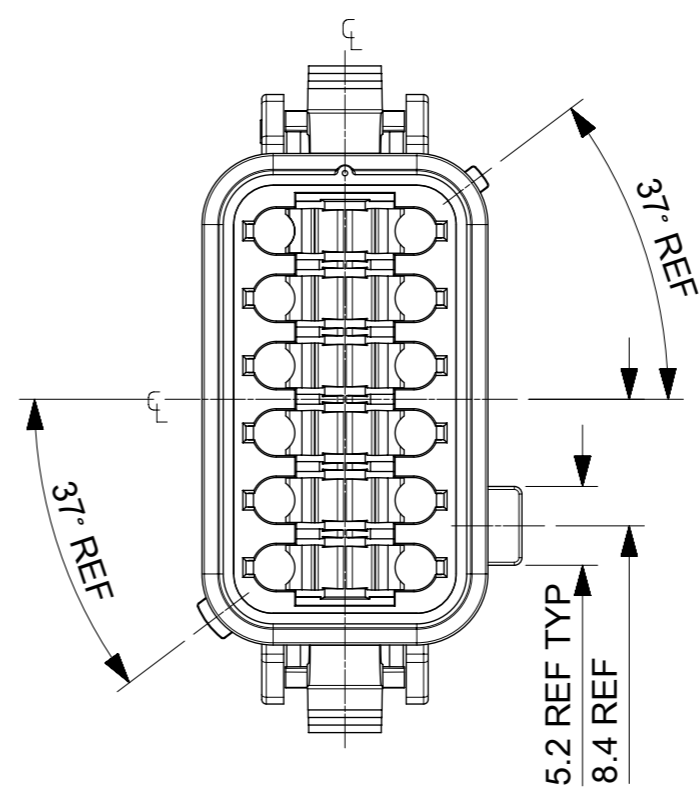
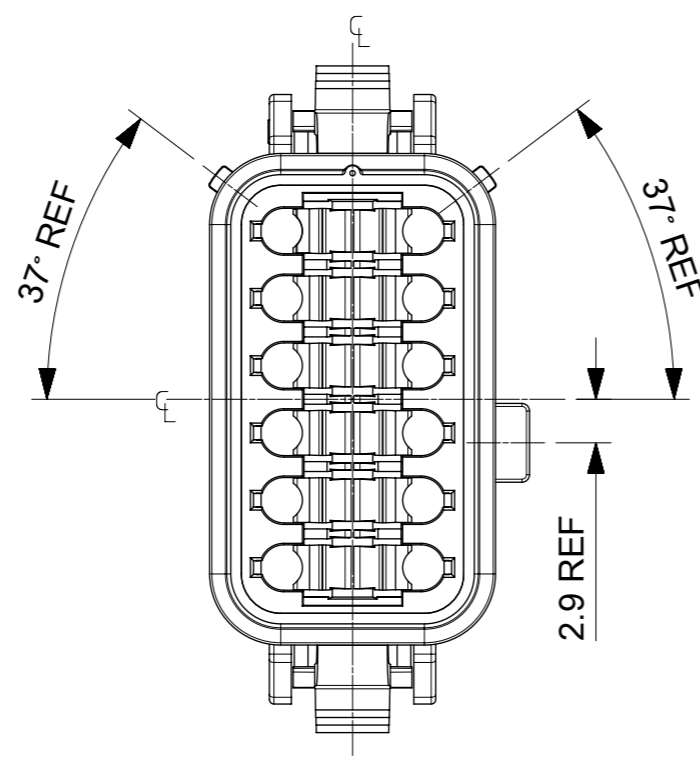
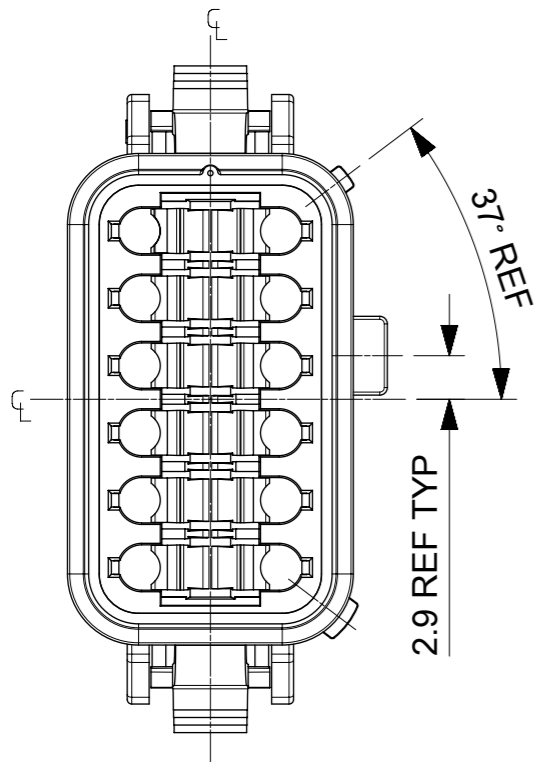
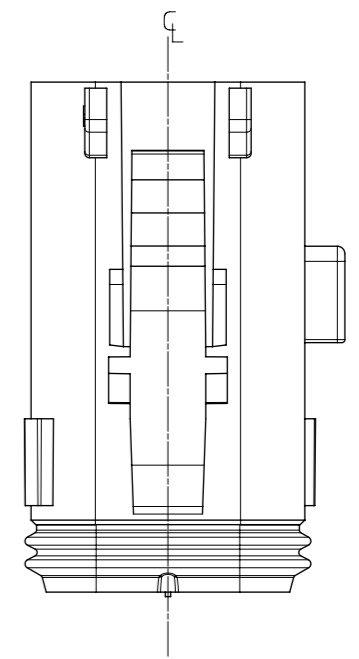
KEYING OPTION B



KEYING OPTION C

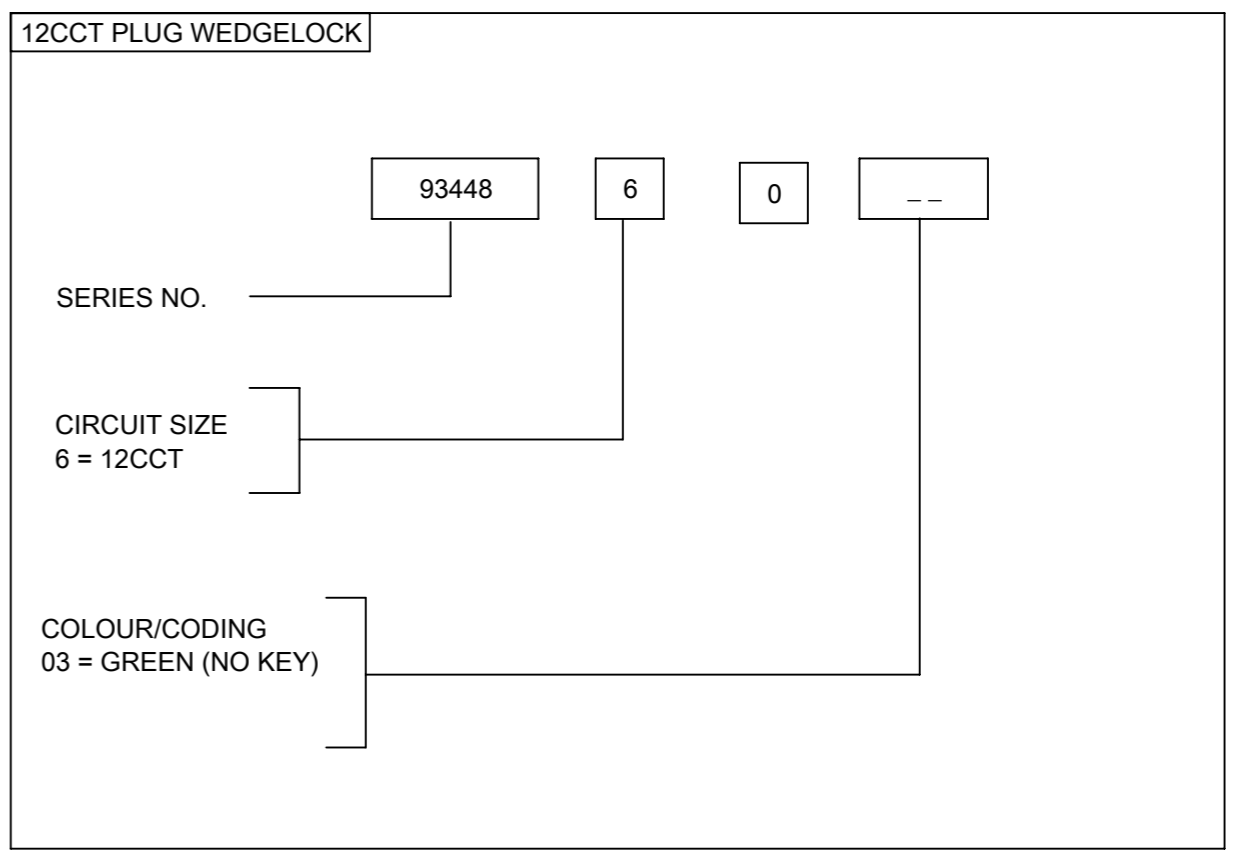
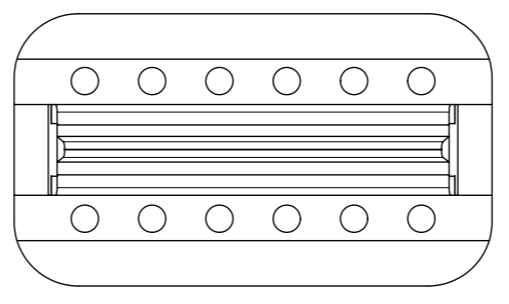
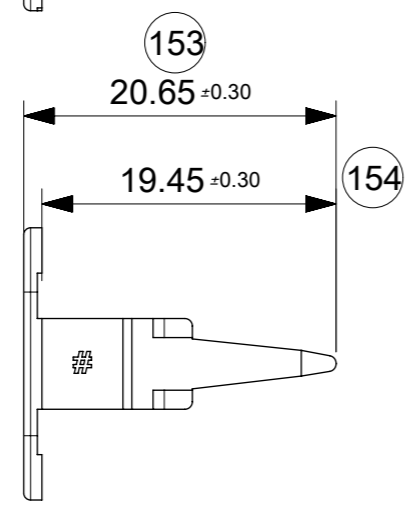
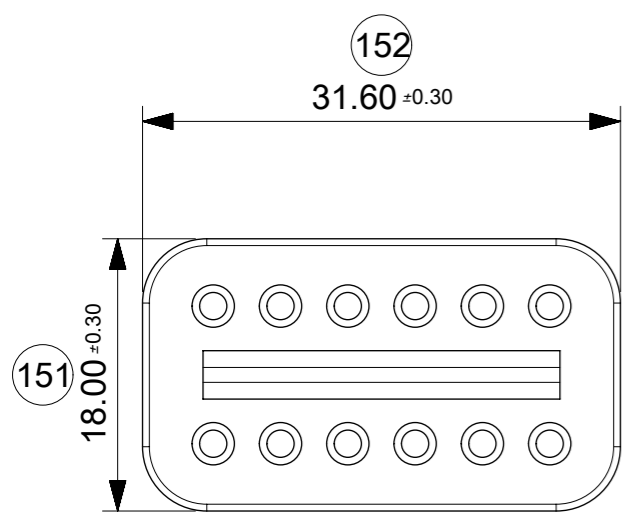
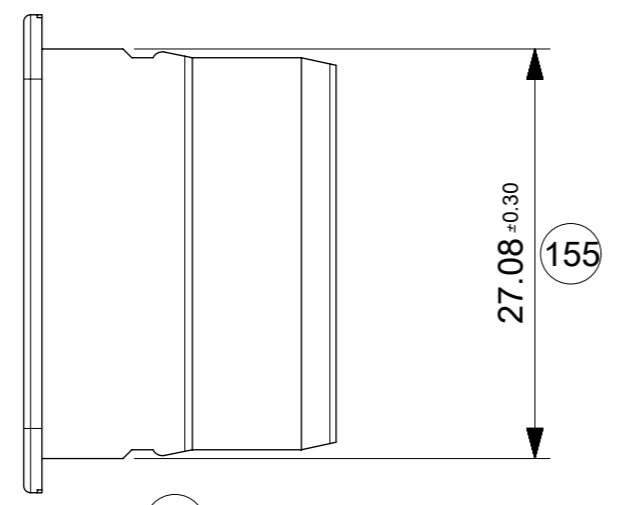
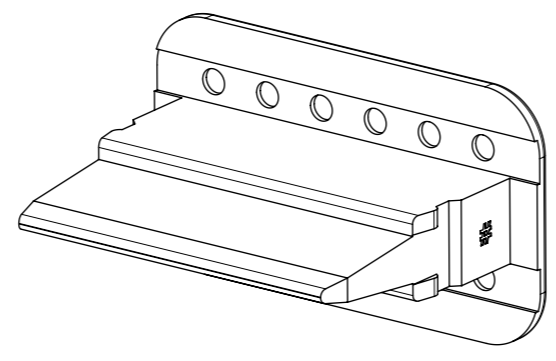
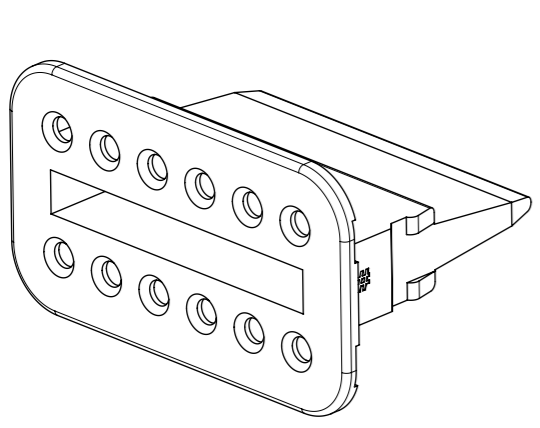


KEYING OPTION D



NOTES  
1. SEE SHEETS 6 & 7 FOR UNSPECIFIED NOTES AND DIMENSIONS

<p>QUALITY SYMBOLS</p> <p>▽A = 0</p> <p>▽E = 0</p> <p>▽F = 0</p> <p>▼ = 0</p> <p>▽C = 0</p> <p>⊠ = 0</p> <p>■ = 0</p> <p>▽ = 0</p>	THIS DRAWING CONTAINS INFORMATION THAT IS PROPRIETARY TO MOLEX ELECTRONIC TECHNOLOGIES, LLC AND SHOULD NOT BE USED WITHOUT WRITTEN PERMISSION											
	<p>SEE LONG TEXT</p> <p>EC NO: 110489</p> <p>DRWN: JFLETCHER</p> <p>CHK'D: FDUGGAN</p> <p>REV APPR: JDWALLACE</p>	GENERAL TOLERANCES (UNLESS SPECIFIED)		DIMENSION UNITS		SCALE						
		ANGULAR TOL ± 2.0 °		MM		2:1						
		4 PLACES ±		DRWN BY		DATE		<p>12CCT ML-XT CV CONNECTOR SYSTEM</p>				
		3 PLACES ±		JFLETCHER		2015/12/16						
		2 PLACES ± 0.1		CHK'D BY		DATE						
	1 PLACE ± 0.2		FDUGGAN		2016/01/08		<p>PRODUCT CUSTOMER DRAWING</p>					
	0 PLACES ±		APPR BY		DATE							
	DRAFT WHERE APPLICABLE MUST REMAIN WITHIN DIMENSIONS		JDWALLACE		2016/01/14		SERIES		MATERIAL NUMBER		CUSTOMER	
			DRAWING SIZE		THIRD ANGLE PROJECTION		93443				GENERAL MARKET	
		A3				DOCUMENT NUMBER		DOC TYPE		DOC PART		
						934430060		PSD		000		
										SHEET NUMBER		
										8 OF 9		



**NOTES**

1. MATERIAL  
HOUSING: NYLON 30% GLASS FILL

2. INSPECTION NUMBERS 151-200 RESERVED FOR SHEET 9  
LAST INSPECTION NUMBER 155

<b>QUALITY SYMBOLS</b> ▽A = 0 ▽E = 0 ▽F = 0 ▼ = 0 ▽C = 0 ⊗ = 0 ■ = 0 ▽ = 0	THIS DRAWING CONTAINS INFORMATION THAT IS PROPRIETARY TO MOLEX ELECTRONIC TECHNOLOGIES, LLC AND SHOULD NOT BE USED WITHOUT WRITTEN PERMISSION										
	EC NO: 110489 DRWN: JFLETCHER CHK'D: FDUGGAN REV APPR: JDWALLACE	GENERAL TOLERANCES (UNLESS SPECIFIED) ANGULAR TOL ± 2.0 °		DIMENSION UNITS <b>MM</b>		SCALE <b>2:1</b>					
4 PLACES ± 3 PLACES ± 2 PLACES ± 0.1 1 PLACE ± 0.2 0 PLACES ±		DRWN BY <b>JFLETCHER</b>		DATE <b>2015/12/16</b>							
DRAFT WHERE APPLICABLE MUST REMAIN WITHIN DIMENSIONS		APPR BY <b>JDWALLACE</b>		DATE <b>2016/01/14</b>		PRODUCT CUSTOMER DRAWING					
<b>A1</b>		DRAWING SIZE <b>A3</b>		THIRD ANGLE PROJECTION		SERIES <b>93443</b>		MATERIAL NUMBER <b>934430060</b>		CUSTOMER <b>GENERAL MARKET</b>	
						DOCUMENT NUMBER <b>934430060</b>		DOC TYPE <b>PSD</b>		DOC PART <b>000</b>	
								SHEET NUMBER <b>9 OF 9</b>			