



Chipsmall Limited consists of a professional team with an average of over 10 year of expertise in the distribution of electronic components. Based in Hongkong, we have already established firm and mutual-benefit business relationships with customers from,Europe,America and south Asia,supplying obsolete and hard-to-find components to meet their specific needs.

With the principle of “Quality Parts,Customers Priority,Honest Operation,and Considerate Service”,our business mainly focus on the distribution of electronic components. Line cards we deal with include Microchip,ALPS,ROHM,Xilinx,Pulse,ON,Everlight and Freescale. Main products comprise IC,Modules,Potentiometer,IC Socket,Relay,Connector.Our parts cover such applications as commercial,industrial, and automotives areas.

We are looking forward to setting up business relationship with you and hope to provide you with the best service and solution. Let us make a better world for our industry!



Contact us

Tel: +86-755-8981 8866 Fax: +86-755-8427 6832

Email & Skype: info@chipsmall.com Web: www.chipsmall.com

Address: A1208, Overseas Decoration Building, #122 Zhenhua RD., Futian, Shenzhen, China



HEATSHRINK HOUSING

RECEPTACLE HOUSING

BACK COVER

BACK SEAL

PLUG SEAL

PLUG HOUSING

RECEPTACLE WEDGELOCK TPA


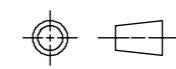
PLUG WEDGELOCK TPA

BACK SEAL

BACK COVER

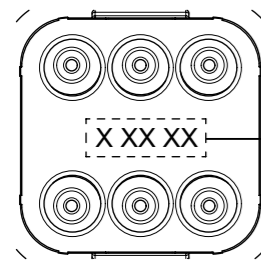
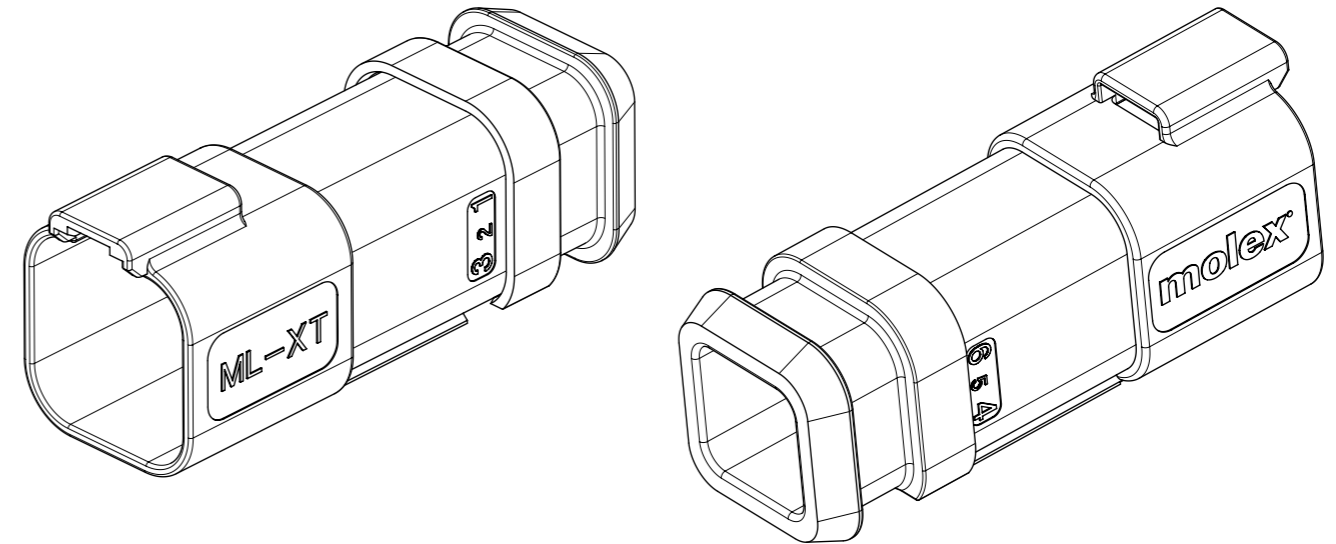
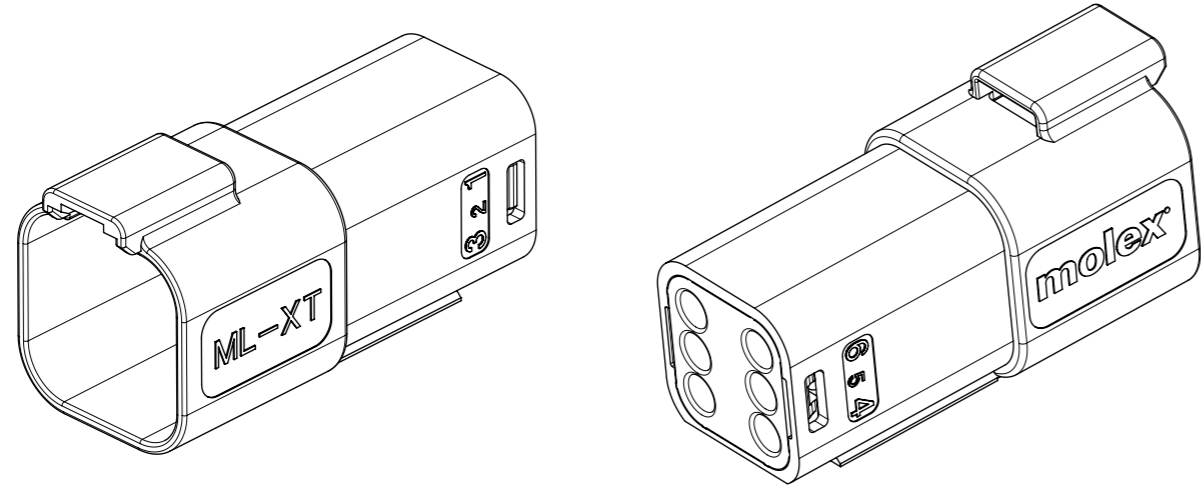
HEATSHRINK HOUSING

NOTES
1. SEE SHEETS 2 TO 7 FOR ALL UNSPECIFIED NOTES, DIMENSIONS AND PART NUMBERS

THIS DRAWING CONTAINS INFORMATION THAT IS PROPRIETARY TO MOLEX ELECTRONIC TECHNOLOGIES, LLC AND SHOULD NOT BE USED WITHOUT WRITTEN PERMISSION													
QUALITY SYMBOLS		2016/11/16 2016/11/18		GENERAL TOLERANCES (UNLESS SPECIFIED)		DIMENSION UNITS		SCALE		 6CCT ML-XT CV CONNECTOR			
▽A	= 0	SEE LONG TEXT EC NO: 110489 DRWN: JFLETCHER CHK'D: FDUGGAN APPR: JDWALLACE	2016/11/16 2016/11/18 2017/01/03	ANGULAR TOL ± 2.0 °		MM		1.5:1				PRODUCT CUSTOMER DRAWING SERIES: 93443 MATERIAL NUMBER: SEE CHART CUSTOMER: GENERAL MARKET	
▽E	= 0			4 PLACES	±	DRWN BY: JFLETCHER DATE: 2015/11/04		CHK'D BY: FDUGGAN DATE: 2015/12/07					
▽F	= 0			3 PLACES	±	APPR BY: JDWALLACE DATE: 2015/12/08		DRAWING SIZE: A3		THIRD ANGLE PROJECTION		DOCUMENT NUMBER: 934430040 DOC TYPE: PSD DOC PART: 000 SHEET NUMBER: 1 OF 7	
▽B	= 0			2 PLACES	± 0.1	DRAFT WHERE APPLICABLE MUST REMAIN WITHIN DIMENSIONS		A3					
▽C	= 0			1 PLACE	± 0.2								
▽D	= 0			0 PLACES	±								

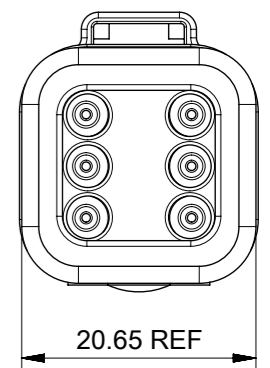
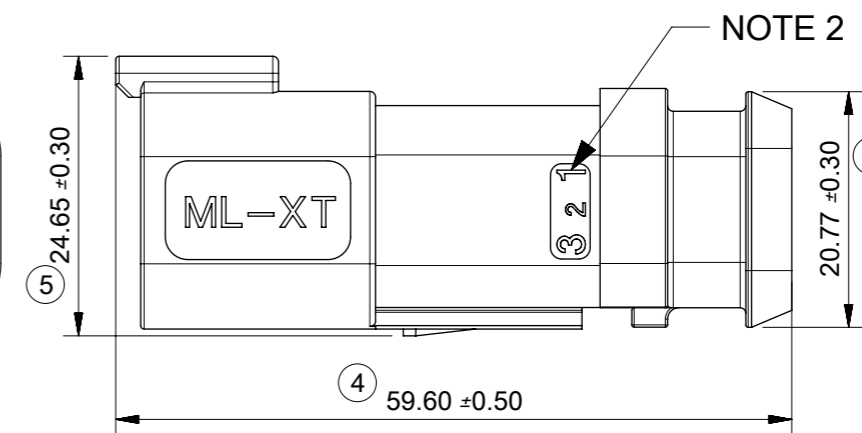
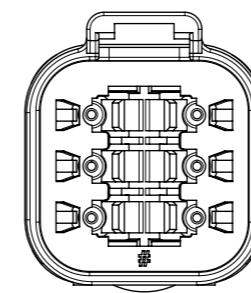
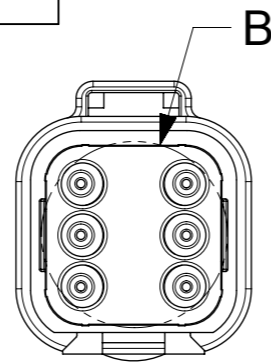
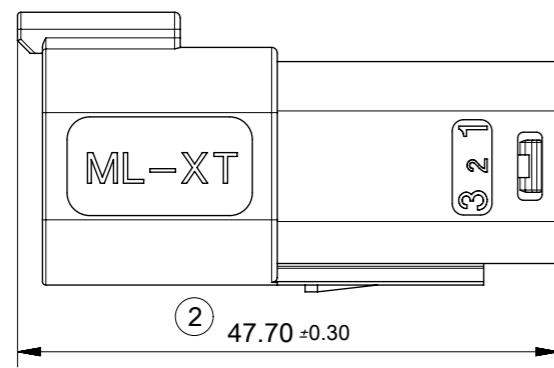
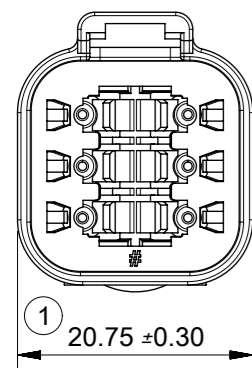
6CCT RECEPTACLE CONNECTOR

6CCT RECEPTACLE CONNECTOR WITH HEATSHRINK HOUSING ULTRASONICALLY WELDED IN PLACE



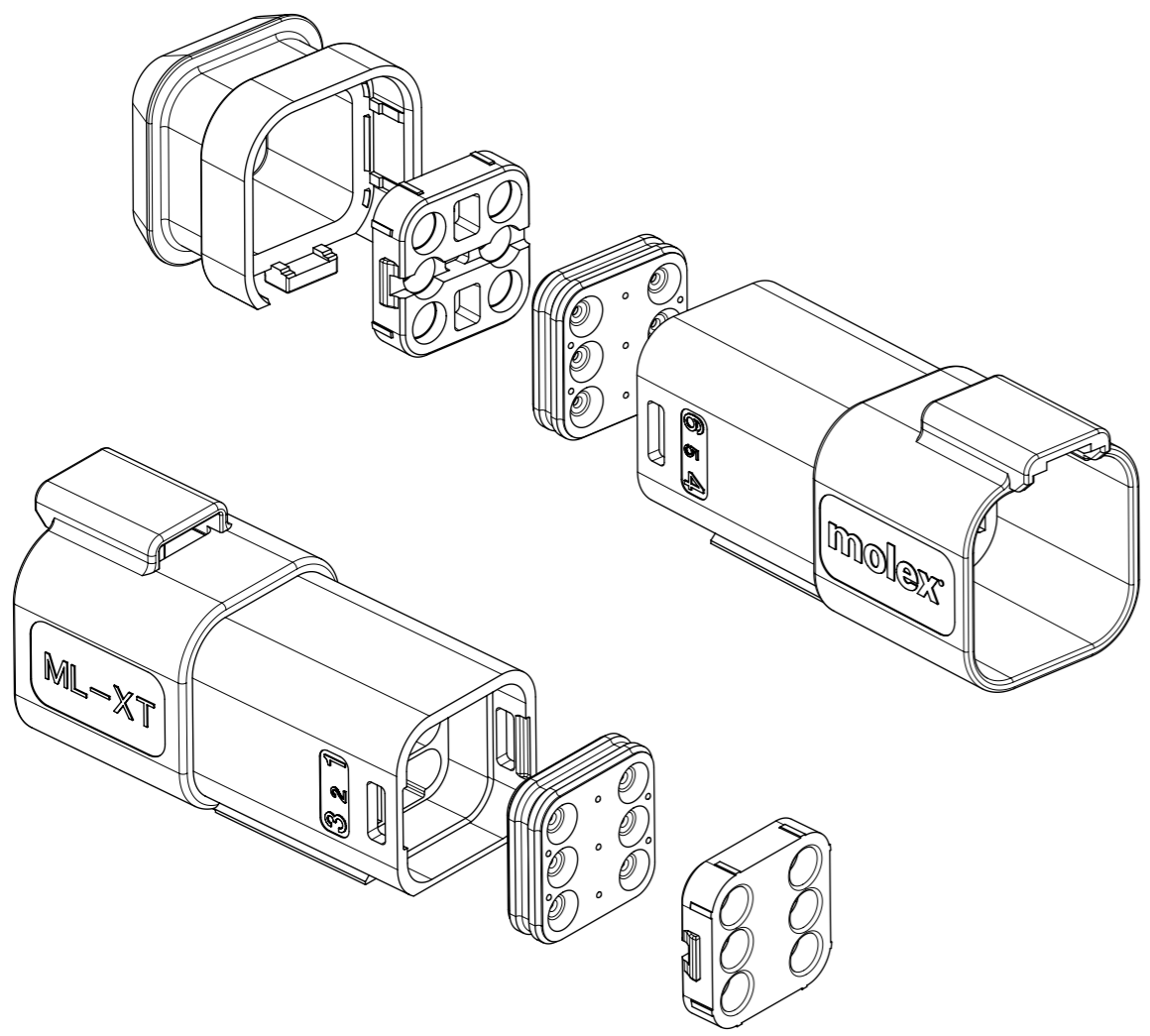
DATE CODE: X XX XX
 X — DAY: 1 - 7
 X — WEEK: 01 - 52
 X — YEAR: 00 - 99
 # — MACHINE NO. 1
 EXAMPLE: 11315 = DAY 1, WEEK 13, YEAR 15
 i.e. 23rd OF MARCH 2015

DETAIL B
 SCALE 2:1



1. MATERIAL
 HOUSING: NYLON 30%GF
 BACK SEAL: HIGH CONSISTENCY RUBBER
 2. CIRCUIT IDENTIFICATION
 3. JACKET RANGE LARGE = Ø2.7MM TO 3.6MM (SEAL COLOUR: LIGHT BLUE)
 JACKET RANGE SMALL = Ø1.4MM TO 2.7MM (SEAL COLOUR: BURNT ORANGE)
 4. SEE SHEET 3 FOR FINAL PART NUMBER
 5. SEE 934430010 PS P FOR PRODUCT SPECIFICATION
 6. SEE 934430002 PS K OR 934430010 PS K FOR PACKAGING SPECIFICATION
- INSPECTION NUMBERS 1 - 50 RESERVED FOR SHEET 2
 LAST INSPECTION NO. 5

THIS DRAWING CONTAINS INFORMATION THAT IS PROPRIETARY TO MOLEX ELECTRONIC TECHNOLOGIES, LLC AND SHOULD NOT BE USED WITHOUT WRITTEN PERMISSION										
QUALITY SYMBOLS	EC NO: 110489 DRWN: JFLETCHER CHK'D: FDUGGAN APPR: JDWALLACE	2016/11/16 2016/11/18 2017/01/03	GENERAL TOLERANCES (UNLESS SPECIFIED)		DIMENSION UNITS	SCALE				
			ANGULAR TOL ± 2.0 °		MM	1.5:1				
▽A = 0	SEE LONG TEXT	A2	4 PLACES ±	DRAFT WHERE APPLICABLE MUST REMAIN WITHIN DIMENSIONS	DRWN BY	DATE	6CCT ML-XT CV CONNECTOR			
▽E = 0			3 PLACES ±		JFLETCHER	2015/11/04				
▽EB = 0			2 PLACES ± 0.1		CHK'D BY	DATE				
▽ = 0			1 PLACE ± 0.2		FDUGGAN	2015/12/07	PRODUCT CUSTOMER DRAWING			
▽C = 0			0 PLACES ±		APPR BY	DATE	SERIES	MATERIAL NUMBER	CUSTOMER	
▽X = 0					JDWALLACE	2015/12/08	93443	SEE CHART	GENERAL MARKET	
▽ = 0				DRAWING SIZE	THIRD ANGLE PROJECTION	DOCUMENT NUMBER	DOC TYPE	DOC PART	SHEET NUMBER	
				A3		934430040	PSD	000	2 OF 7	



6CCT RECEPTACLE CONNECTOR

93444 4 - --

SERIES No.

CIRCUIT SIZE
4 = 6CCT

ASSEMBLY OPTIONS:

- 1 = RECEP ASSEMBLY FOR WIRE JACKET RANGE: Ø1.4mm-2.7mm (NOTE 2)
- 2 = RECEP ASSEMBLY FOR WIRE JACKET RANGE: Ø2.7mm-3.6mm (NOTE 2)
- 5 = RECEP ASSEMBLY & HEATSHRINK FOR WIRE JACKET RANGE: Ø1.4mm-2.7mm
- 6 = RECEP ASSEMBLY & HEATSHRINK FOR WIRE JACKET RANGE: Ø2.7mm-3.6mm

COLOUR

- 01=BLACK
- 02=GREY 06=WHITE
- 03=GREEN 07=BROWN
- 04=BLUE 08=ORANGE
- 05=YELLOW 09=RED

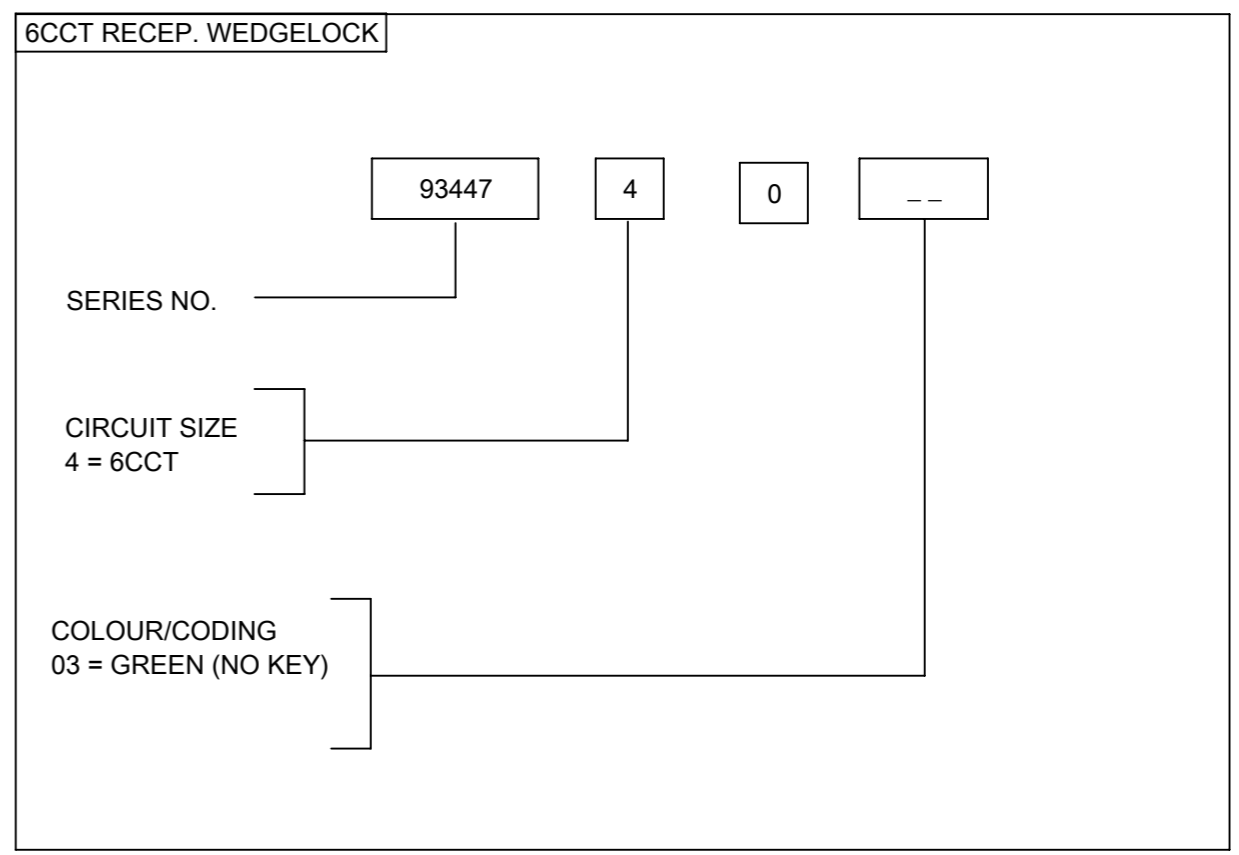
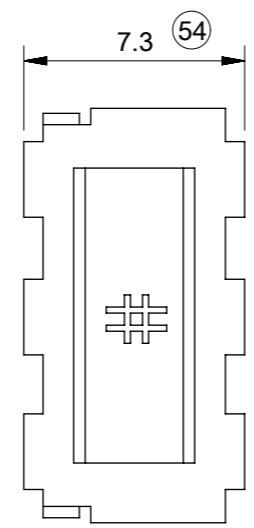
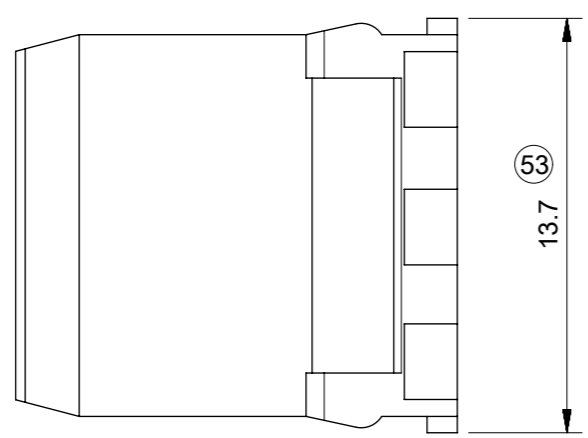
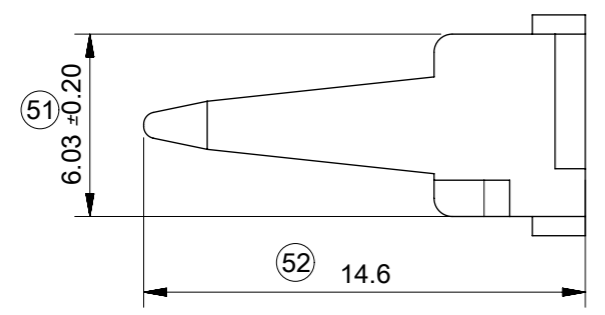
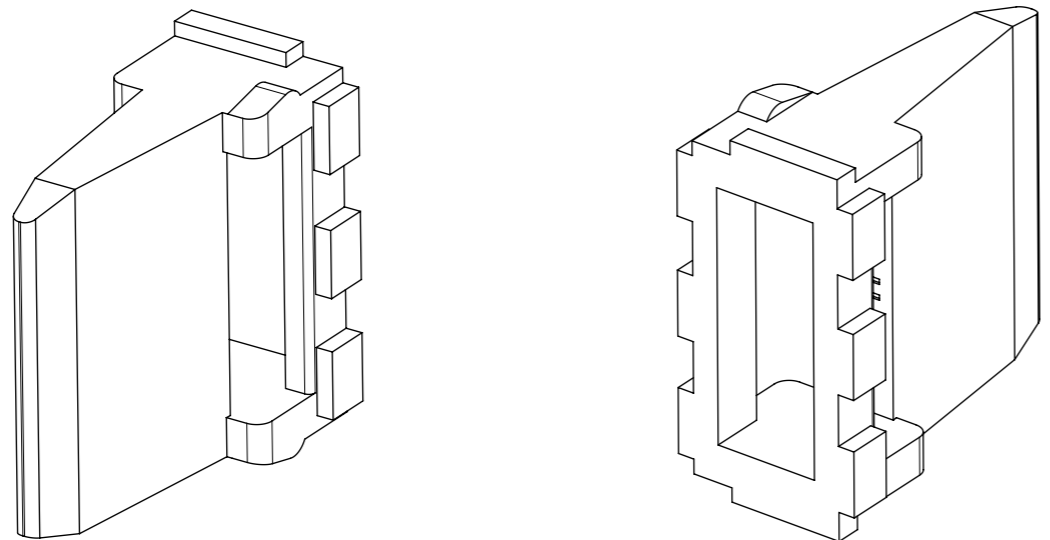
EXAMPLE:

6cct RECEP BLACK WITH LARGE SEAL AND HEATSHRINK = 93444-4601

NOTES

1. SEE SHEET 2 FOR UNSPECIFIED NOTES AND DIMENSIONS
2. BACK COVER HOUSING COLOUR BLACK
3. HEATSHRINK HOUSING COLOUR BLACK

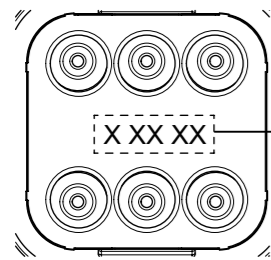
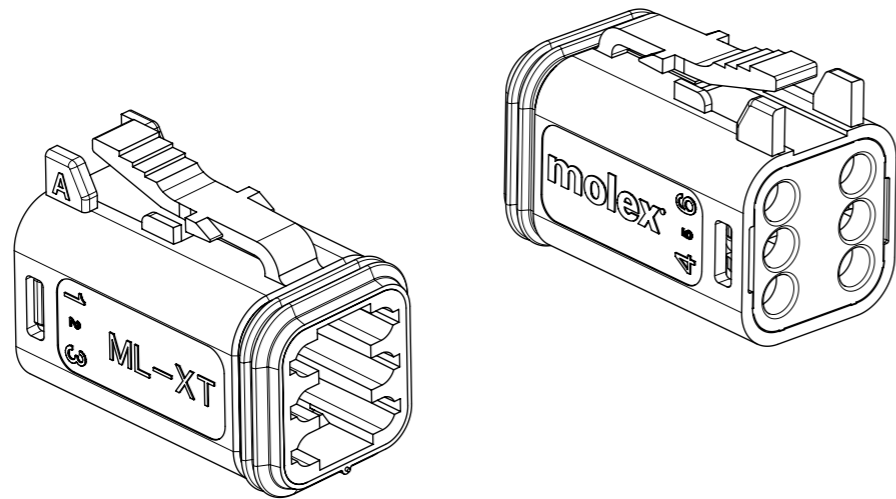
THIS DRAWING CONTAINS INFORMATION THAT IS PROPRIETARY TO MOLEX ELECTRONIC TECHNOLOGIES, LLC AND SHOULD NOT BE USED WITHOUT WRITTEN PERMISSION											
QUALITY SYMBOLS	EC NO: 110489 DRWN: JFLETCHER CHK'D: FDUGGAN APPR: JDWALLACE	2016/11/16 2016/11/18 2017/01/03	GENERAL TOLERANCES (UNLESS SPECIFIED)		DIMENSION UNITS	SCALE					
			ANGULAR TOL ± 2.0 °		MM	1:1					
▽A = 0	SEE LONG TEXT	A2	4 PLACES ±	DRWN BY	DATE		6CCT ML-XT CV CONNECTOR				
▽E = 0			3 PLACES ±	JFLETCHER	2015/11/04						
▽F = 0			2 PLACES ± 0.1	CHK'D BY	DATE		PRODUCT CUSTOMER DRAWING				
▽B = 0			1 PLACE ± 0.2	FDUGGAN	2015/12/07						
▽C = 0			0 PLACES ±	APPR BY	DATE		SERIES	MATERIAL NUMBER	CUSTOMER		
▽D = 0			DRAFT WHERE APPLICABLE MUST REMAIN WITHIN DIMENSIONS	JDWALLACE	2015/12/08		93443	SEE CHART	GENERAL MARKET		
▽G = 0				DRAWING SIZE	THIRD ANGLE PROJECTION		DOCUMENT NUMBER		DOC TYPE	DOC PART	SHEET NUMBER
▽H = 0				A3			934430040		PSD	000	3 OF 7



NOTES
 1. MATERIAL
 HOUSING: NYLON 30%GF
 INSPECTION No's 51-100 RESERVED FOR SHEET 4
 LAST INSPECTION No. 54

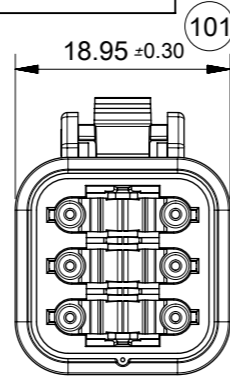
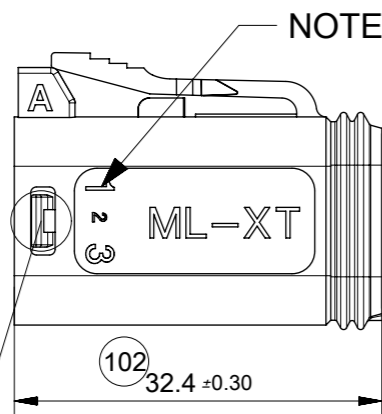
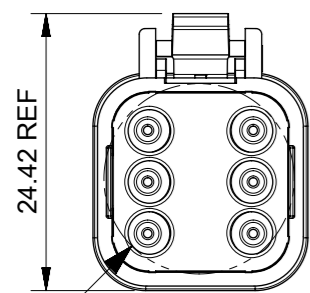
THIS DRAWING CONTAINS INFORMATION THAT IS PROPRIETARY TO MOLEX ELECTRONIC TECHNOLOGIES, LLC AND SHOULD NOT BE USED WITHOUT WRITTEN PERMISSION																		
QUALITY SYMBOLS A = 0 E = 0 EB = 0 ▼ = 0 C = 0 ⊗ = 0 ■ = 0 ▽ = 0	SEE LONG TEXT EC NO: 110489 DRWN: JFLETCHER CHK'D: FDUGGAN APPR: JDWALLACE	GENERAL TOLERANCES (UNLESS SPECIFIED)		DIMENSION UNITS	SCALE													
		ANGULAR TOL ± 2.0 °		MM	4:1													
		4 PLACES ±	DRWN BY		DATE		6CCT ML-XT CV CONNECTOR											
		3 PLACES ±	JFLETCHER		2015/11/04													
		2 PLACES ± 0.1	CHK'D BY		DATE		PRODUCT CUSTOMER DRAWING											
		1 PLACE ± 0.2	FDUGGAN		2015/12/07													
		0 PLACES ±	APPR BY		DATE		<table border="1" style="width: 100%; border-collapse: collapse;"> <tr> <td style="width: 25%;">SERIES</td> <td style="width: 40%;">MATERIAL NUMBER</td> <td style="width: 35%;">CUSTOMER</td> </tr> <tr> <td>93443</td> <td>SEE CHART</td> <td>GENERAL MARKET</td> </tr> </table>						SERIES	MATERIAL NUMBER	CUSTOMER	93443	SEE CHART	GENERAL MARKET
		SERIES	MATERIAL NUMBER	CUSTOMER														
		93443	SEE CHART	GENERAL MARKET														
		DRAFT WHERE APPLICABLE MUST REMAIN WITHIN DIMENSIONS		DRAWING SIZE	THIRD ANGLE PROJECTION		DOCUMENT NUMBER		DOC TYPE	DOC PART	SHEET NUMBER							
		A3			934430040		PSD	000	4 OF 7									

6CCT PLUG CONNECTOR

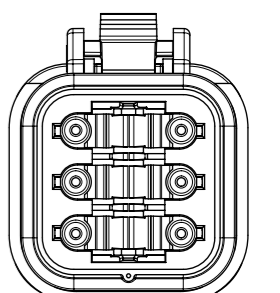
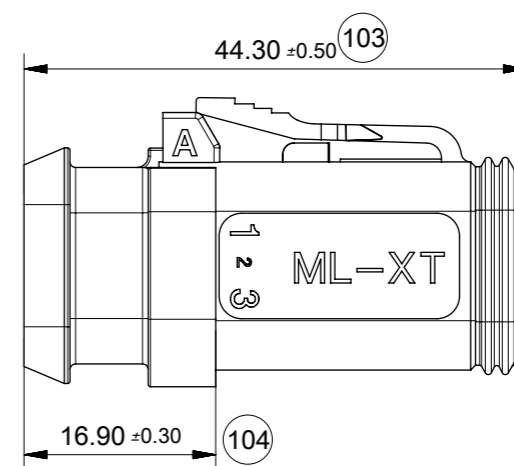
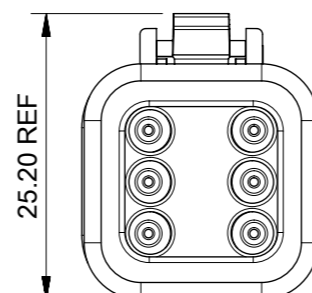
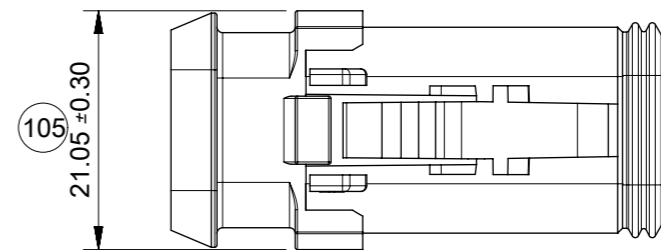
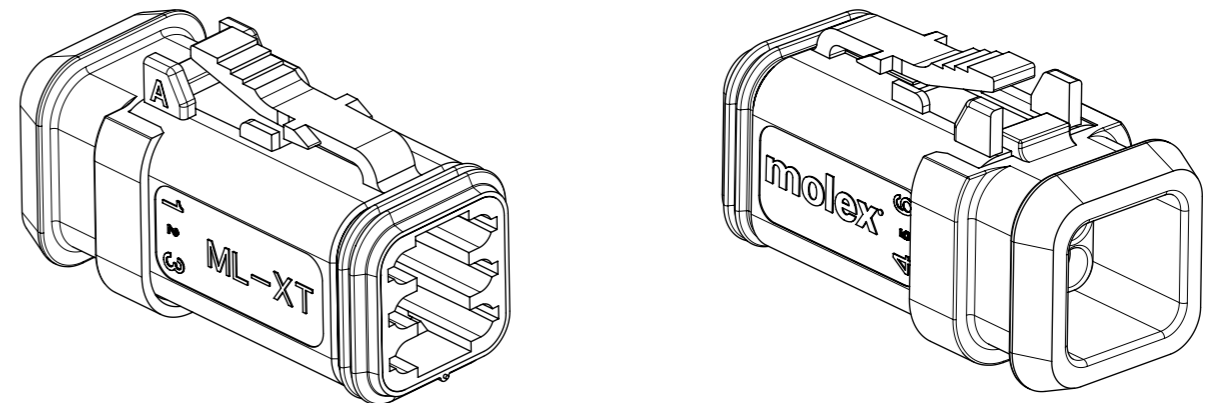


DETAIL C
SCALE 2:1

DATE CODE: X XX XX
X — DAY: 1- 7
X — WEEK: 01 - 52
X — YEAR: 00 - 99
— MACHINE NO. 1
EXAMPLE: 11315 = DAY 1, WEEK 13, YEAR 15
i.e. 23rd OF MARCH 2015



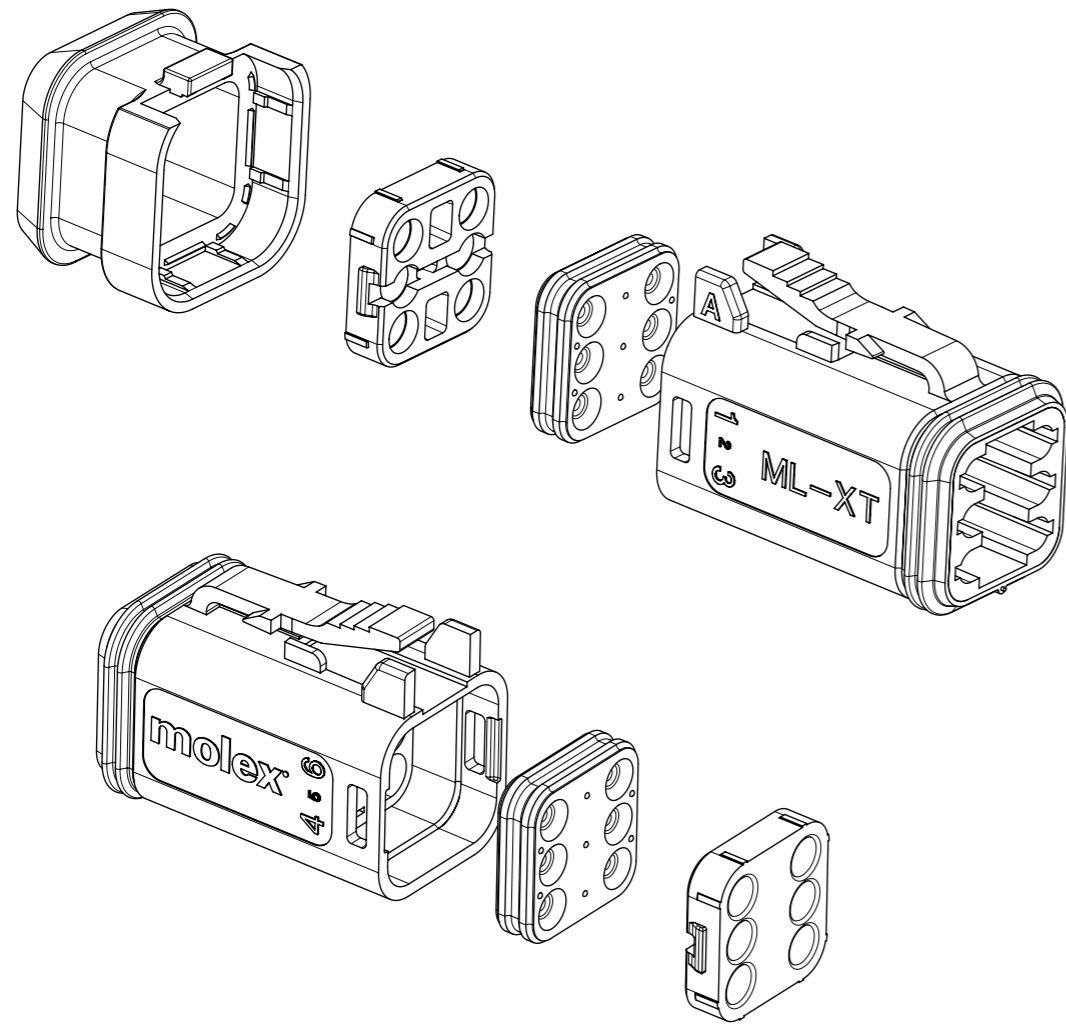
6CCT PLUG CONNECTOR WITH HEATSHRINK HOUSING ULTRASONICALLY WELDED IN PLACE



NOTES

- MATERIAL:
HOUSING: NYLON 30% GF
PLUG SEAL: SILICONE RUBBER
BACK SEAL: HIGH CONSISTENCY RUBBER
- CIRCUIT IDENTIFICATION
- JACKET RANGE LARGE = Ø2.7MM TO 3.6MM (SEAL COLOUR: LIGHT BLUE)
JACKET RANGE SMALL = Ø1.4MM TO 2.7MM (SEAL COLOUR: BURNT ORANGE)
- SEE SHEET 6 FOR FINAL PART NUMBER DESIGNATION
- LATCH TO BE FULLY ENGAGED IN WINDOW
INSPECTION NUMBERS 101-150 RESERVED FOR SHEET 5
LAST INSPECTION NUMBER 105

THIS DRAWING CONTAINS INFORMATION THAT IS PROPRIETARY TO MOLEX ELECTRONIC TECHNOLOGIES, LLC AND SHOULD NOT BE USED WITHOUT WRITTEN PERMISSION												
QUALITY SYMBOLS	EC NO: 110489 DRWN: JFLETCHER CHK'D: FDUGGAN APPR: JDWALLACE	2016/11/16 2016/11/18 2017/01/03	GENERAL TOLERANCES (UNLESS SPECIFIED)		DIMENSION UNITS	SCALE						
			ANGULAR TOL ± 2.0 °		MM	1.5:1						
▽A = 0	SEE LONG TEXT	EC NO: 110489 DRWN: JFLETCHER CHK'D: FDUGGAN APPR: JDWALLACE	2016/11/16 2016/11/18 2017/01/03	4 PLACES ±	DRWN BY JFLETCHER CHK'D BY FDUGGAN APPR BY JDWALLACE	DATE 2015/11/04 2015/12/07 2015/12/08	6CCT ML-XT CV CONNECTOR					
▽E = 0				3 PLACES ±						PRODUCT CUSTOMER DRAWING		
▽F = 0				2 PLACES ± 0.1			SERIES	MATERIAL NUMBER	CUSTOMER			
▽ = 0				1 PLACE ± 0.2			93443	SEE CHART	GENERAL MARKET			
▽C = 0				0 PLACES ±			DOCUMENT NUMBER 934430040			DOC TYPE	DOC PART	SHEET NUMBER
▽ = 0				DRAFT WHERE APPLICABLE MUST REMAIN WITHIN DIMENSIONS			A3	THIRD ANGLE PROJECTION		PSD	000	5 OF 7



6CCT PLUG CONNECTOR

93445

4

SERIES No. _____

CIRCUIT SIZE
4 = 6CCT

ASSEMBLY OPTIONS:

- 1 = PLUG ASSEMBLY FOR WIRE JACKET RANGE: Ø1.4mm-2.7mm (NOTE 2)
- 2 = PLUG ASSEMBLY FOR WIRE JACKET RANGE: Ø2.7mm-3.6mm (NOTE 2)
- 5 = PLUG ASSEMBLY & HEATSHRINK FOR WIRE JACKET RANGE: Ø1.4mm-2.7mm
- 6 = PLUG ASSEMBLY & HEATSHRINK FOR WIRE JACKET RANGE: Ø2.7mm-3.6mm

COLOUR

- 01=BLACK
- 02=GREY 06=WHITE
- 03=GREEN 07=BROWN
- 04=BLUE 08=ORANGE
- 05=YELLOW 09=RED

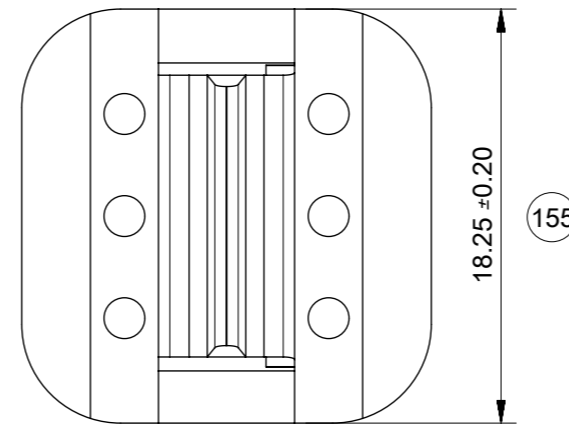
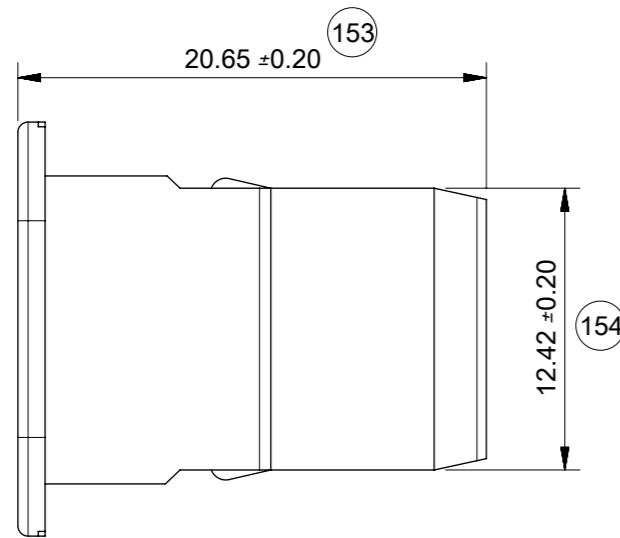
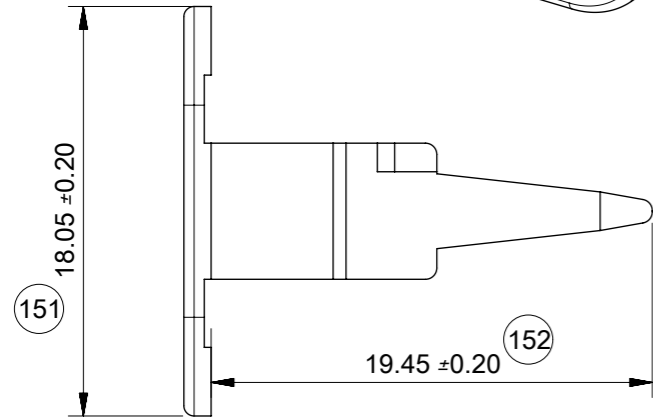
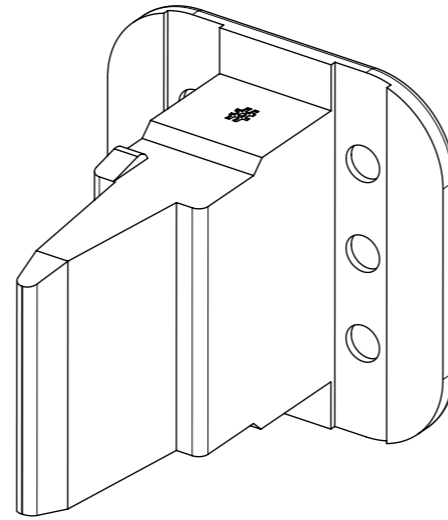
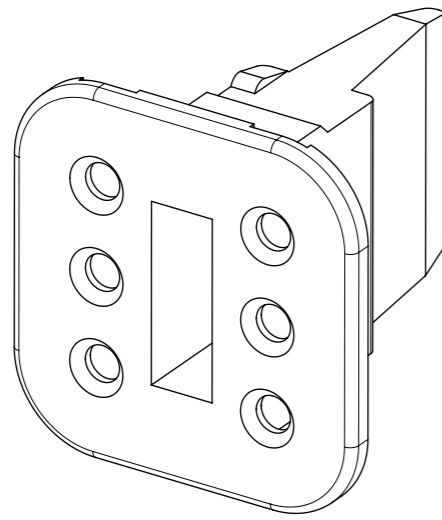
EXAMPLE:

6cct PLUG BLACK WITH LARGE SEAL AND HEATSHRINK = 93444-4601

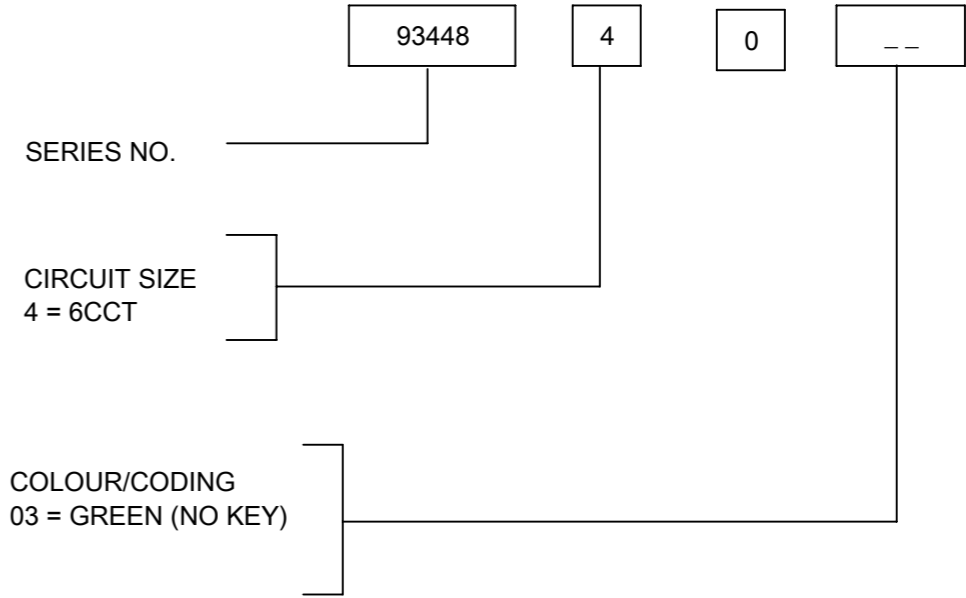
NOTES

1. SEE SHEET 5 FOR UNSPECIFIED NOTES AND DIMENSIONS
2. BACK COVER HOUSING COLOUR BLACK
3. HEATSHRINK HOUSING COLOUR BLACK

THIS DRAWING CONTAINS INFORMATION THAT IS PROPRIETARY TO MOLEX ELECTRONIC TECHNOLOGIES, LLC AND SHOULD NOT BE USED WITHOUT WRITTEN PERMISSION											
QUALITY SYMBOLS	EC NO: 110489 DRWN: JFLETCHER CHK'D: FDUGGAN APPR: JDWALLACE	2016/11/16 2016/11/18 2017/01/03	GENERAL TOLERANCES (UNLESS SPECIFIED)		DIMENSION UNITS	SCALE	6CCT ML-XT CV CONNECTOR				
			ANGULAR TOL ± 2.0 °		MM	1:1					
▽A = 0	SEE LONG TEXT	A2	4 PLACES ±	DRAFT WHERE APPLICABLE MUST REMAIN WITHIN DIMENSIONS	DRWN BY	DATE	PRODUCT CUSTOMER DRAWING				
▽E = 0			3 PLACES ±		JFLETCHER	2015/11/04					
▽B = 0			2 PLACES ± 0.1	CHK'D BY	DATE	SERIES: 93443 MATERIAL NUMBER: SEE CHART CUSTOMER: GENERAL MARKET					
▼ = 0			1 PLACE ± 0.2	FDUGGAN	2015/12/07						
▽C = 0			0 PLACES ±	APPR BY	DATE	DOCUMENT NUMBER: 934430040 DOC TYPE: PSD DOC PART: 000 SHEET NUMBER: 6 OF 7					
⊗ = 0			DRAFT WHERE APPLICABLE MUST REMAIN WITHIN DIMENSIONS	JDWALLACE	2015/12/08						
■ = 0				DRAWING SIZE	THIRD ANGLE PROJECTION						
▽ = 0				A3							



6CCT PLUG WEDGELOCK



NOTES

1. MATERIAL
 HOUSING: NYLON 30%GF
 INSPECTION No's 151-200 RESERVED FOR SHEET 7
 LAST INSPECTION No. 155

THIS DRAWING CONTAINS INFORMATION THAT IS PROPRIETARY TO MOLEX ELECTRONIC TECHNOLOGIES, LLC AND SHOULD NOT BE USED WITHOUT WRITTEN PERMISSION											
QUALITY SYMBOLS		2016/11/16 2016/11/18		GENERAL TOLERANCES (UNLESS SPECIFIED)		DIMENSION UNITS		SCALE			
▽A	= 0	SEE LONG TEXT	EC NO: 110489 DRWN: JFLETCHER CHK'D: FDUGGAN REV APPR: JDWALLACE	ANGULAR TOL ± 2.0 °		MM		3:1			
▽E	= 0			4 PLACES	±	DRWN BY		DATE			
▽F	= 0			3 PLACES	±	JFLETCHER		2015/11/04			
▽	= 0			2 PLACES	± 0.1	CHK'D BY		DATE			
▽C	= 0			1 PLACE	± 0.2	FDUGGAN		2015/12/07			
▽	= 0			0 PLACES	±	APPR BY		DATE			
▽	= 0	DRAFT WHERE APPLICABLE MUST REMAIN WITHIN DIMENSIONS		JDWALLACE		2015/12/08		PRODUCT CUSTOMER DRAWING			
▽	= 0	A2		A3		THIRD ANGLE PROJECTION		DRAWING SIZE		SERIES	
								A3		93443	
										MATERIAL NUMBER	
										SEE CHART	
										CUSTOMER	
										GENERAL MARKET	
										DOCUMENT NUMBER	
										934430040	
										DOC TYPE	
										PSD	
										DOC PART	
										000	
										SHEET NUMBER	
										7 OF 7	