



Chipsmall Limited consists of a professional team with an average of over 10 year of expertise in the distribution of electronic components. Based in Hongkong, we have already established firm and mutual-benefit business relationships with customers from,Europe,America and south Asia,supplying obsolete and hard-to-find components to meet their specific needs.

With the principle of "Quality Parts,Customers Priority,Honest Operation,and Considerate Service",our business mainly focus on the distribution of electronic components. Line cards we deal with include Microchip,ALPS,ROHM,Xilinx,Pulse,ON,Everlight and Freescale. Main products comprise IC,Modules,Potentiometer,IC Socket,Relay,Connector.Our parts cover such applications as commercial,industrial, and automotives areas.

We are looking forward to setting up business relationship with you and hope to provide you with the best service and solution. Let us make a better world for our industry!



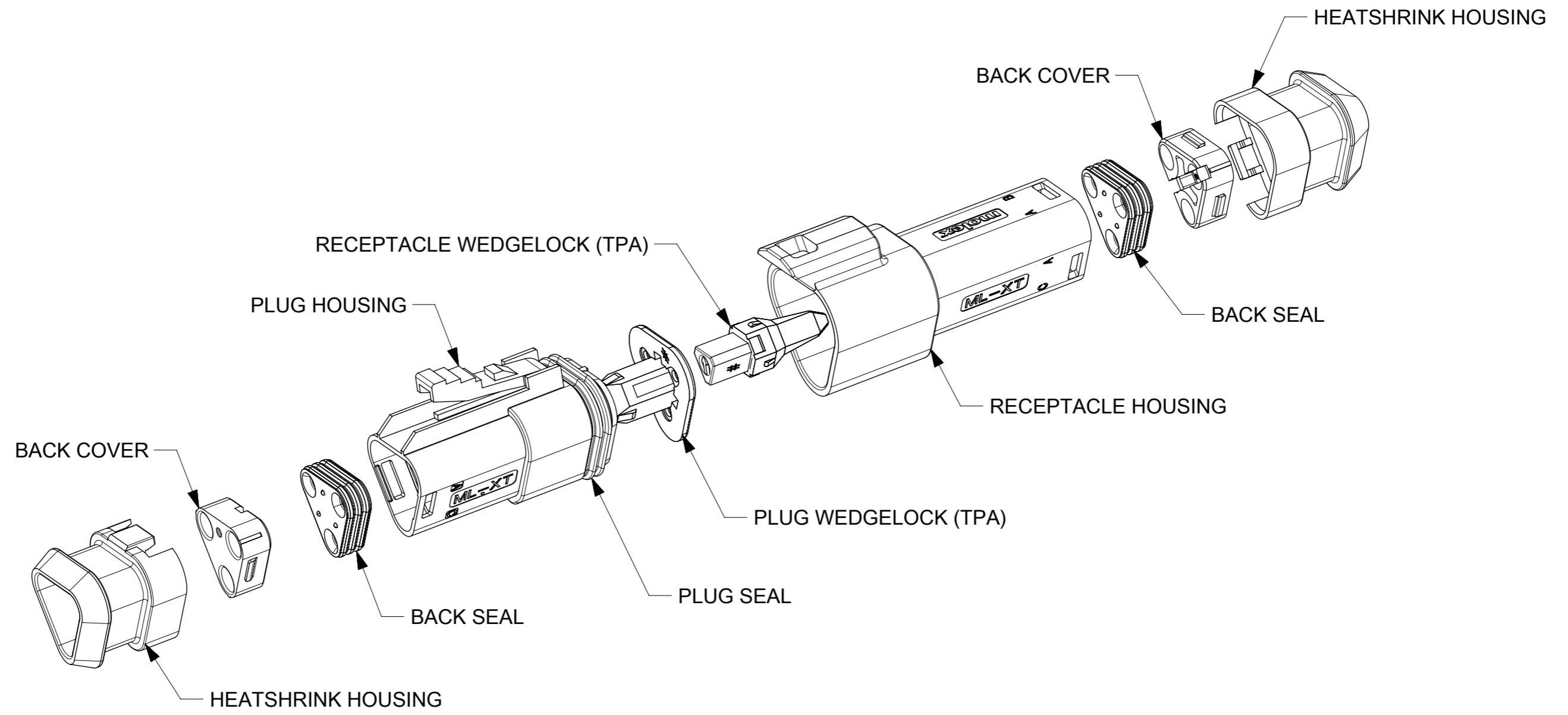
Contact us

Tel: +86-755-8981 8866 Fax: +86-755-8427 6832

Email & Skype: info@chipsmall.com Web: www.chipsmall.com

Address: A1208, Overseas Decoration Building, #122 Zhenhua RD., Futian, Shenzhen, China

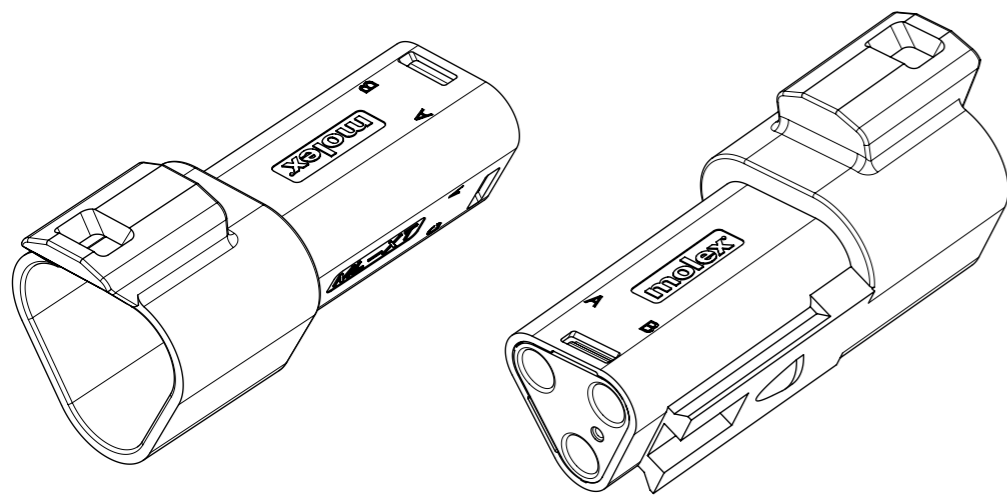




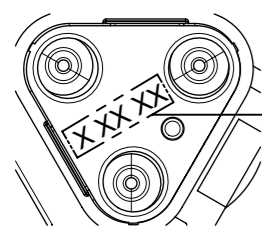
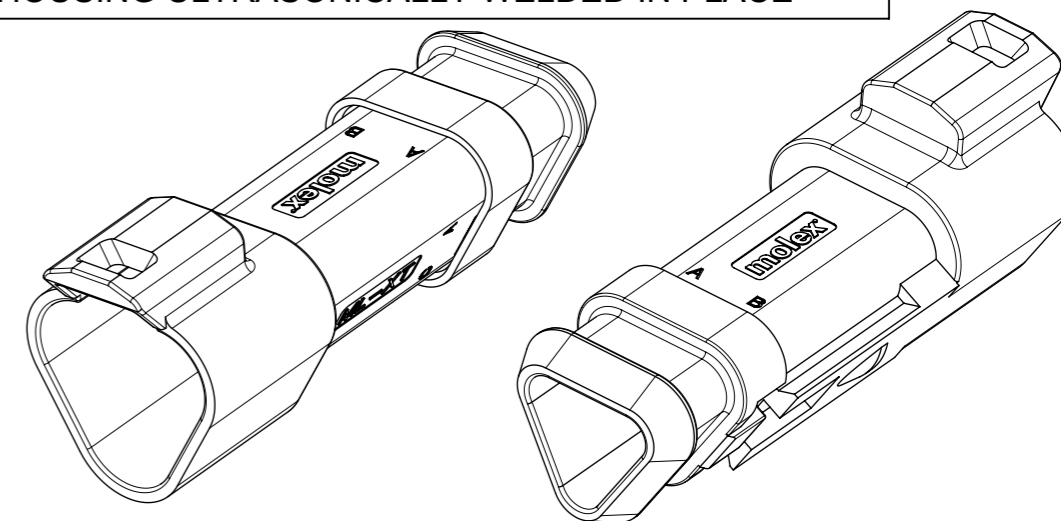
NOTES
 1. SEE SHEETS 2 TO 7 FOR ALL UNSPECIFIED NOTES, DIMENSIONS AND PART NUMBERS

THIS DRAWING CONTAINS INFORMATION THAT IS PROPRIETARY TO MOLEX ELECTRONIC TECHNOLOGIES, LLC AND SHOULD NOT BE USED WITHOUT WRITTEN PERMISSION												
QUALITY SYMBOLS ▽A = 0 ▽E = 0 ▽F = 0 ▼ = 0 ▽C = 0 ⊠ = 0 ■ = 0 ▽ = 0	PROPOSED EC NO: 102420 DRWN: JFLETCHER CHK'D: NDOOWDS APPR: JDWALLACE	GENERAL TOLERANCES (UNLESS SPECIFIED)		DIMENSION UNITS	SCALE							
		ANGULAR TOL ± 2.0 °		MM	1.5:1							
		4 PLACES ±	DRWN BY		DATE		3CCT ML-XT CV CONNECTOR					
		3 PLACES ±	JFLETCHER		2014/12/12							
		2 PLACES ± 0.1	CHK'D BY		DATE		PRODUCT CUSTOMER DRAWING					
		1 PLACE ± 0.2	FDUGGAN		2015/01/08							
		0 PLACES ±	APPR BY		DATE		SERIES: 93443 MATERIAL NUMBER: SEE CHART CUSTOMER: GENERAL MARKET					
		DRAFT WHERE APPLICABLE MUST REMAIN WITHIN DIMENSIONS	JDWALLACE		2015/01/22							
				DRAWING SIZE	THIRD ANGLE PROJECTION		DOCUMENT NUMBER: 934430020 DOC TYPE: PSD DOC PART: 000 SHEET NUMBER: 1 OF 7					
				A3								

3CCT RECEPTACLE CONNECTOR

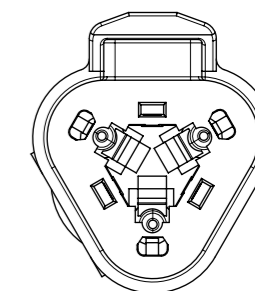
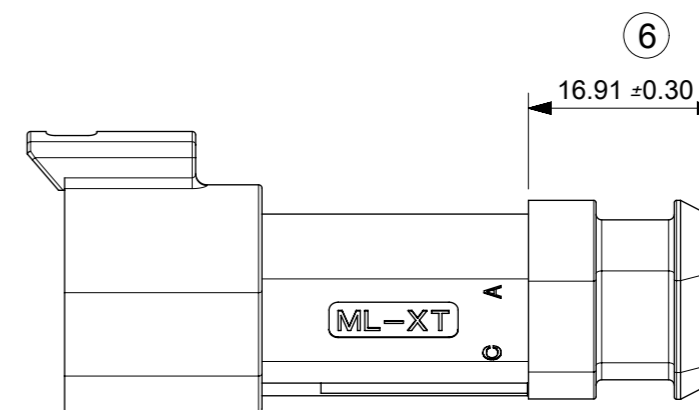
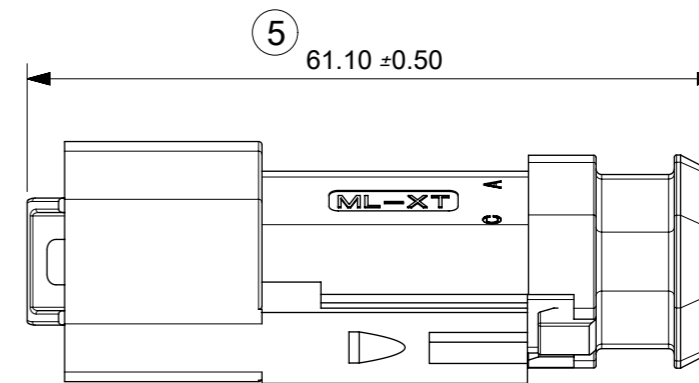
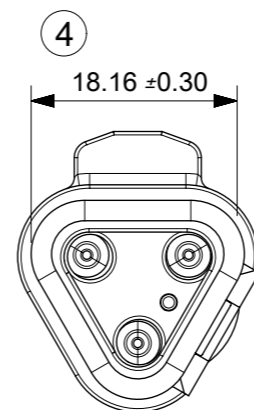
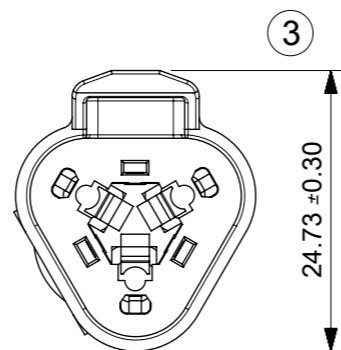
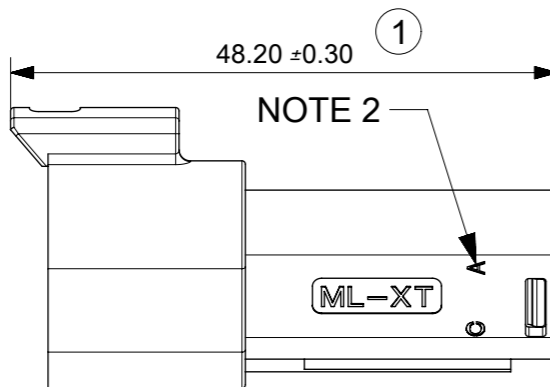
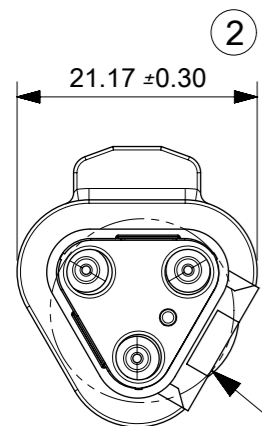


3CCT RECEPTACLE CONNECTOR WITH HEATSHRINK HOUSING ULTRASONICALLY WELDED IN PLACE



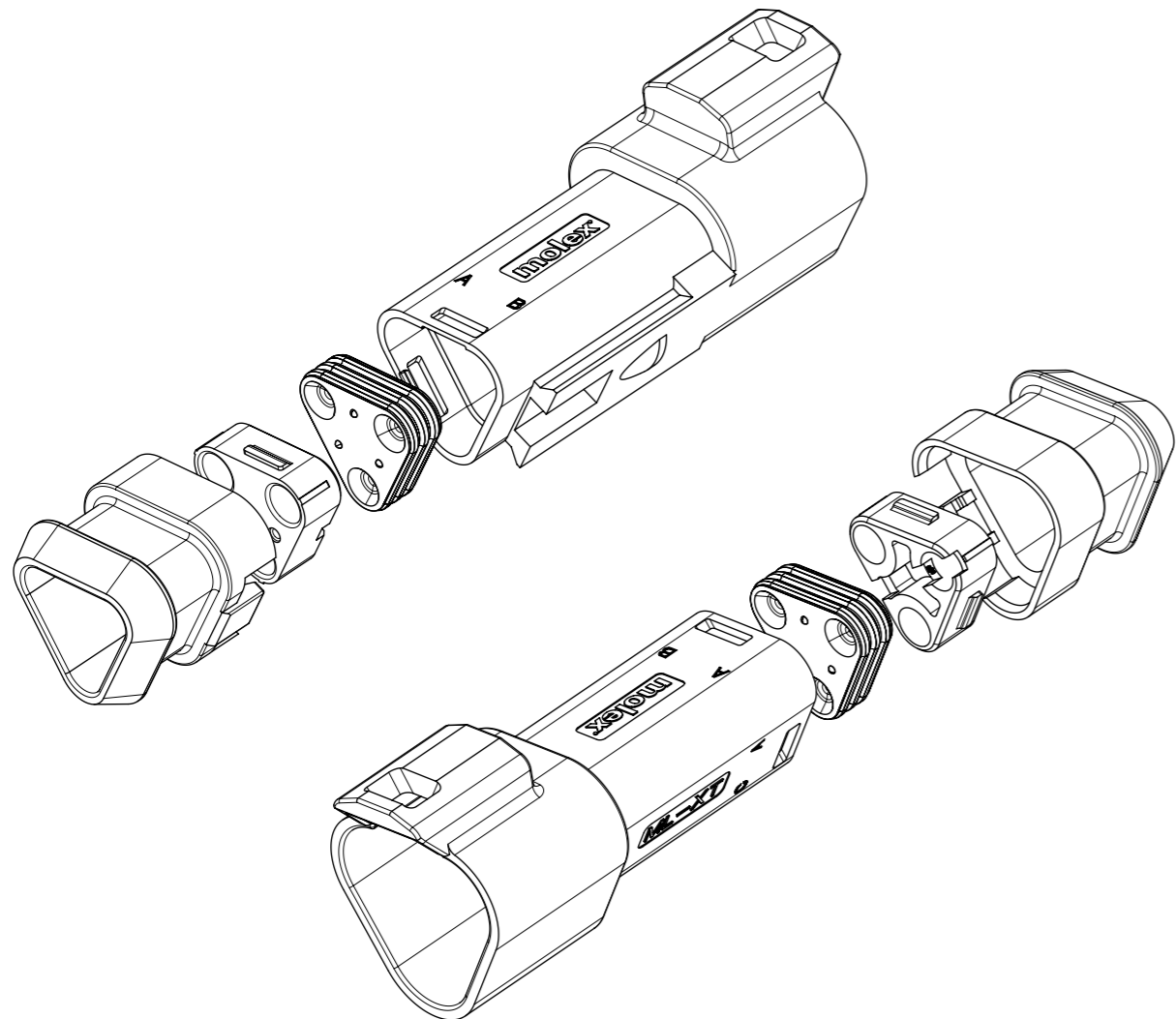
DATE CODE: X XX XX
 X—DAY: 1- 7
 X — WEEK: 01 - 52
 X — YEAR: 00 - 99
 EXAMPLE: 11315 = DAY 1, WEEK 13, YEAR 15 i.e. 23rd OF MARCH 2015

DETAIL A
 SCALE 2:1



1. MATERIAL
 HOUSING: NYLON 30% GLASS FILLED
 BACK SEAL: HIGH CONSISTENCY RUBBER
 2. CIRCUIT IDENTIFICATION
 3. JACKET RANGE LARGE = Ø2.7MM TO 3.6MM (SEAL COLOUR: LIGHT BLUE)
 JACKET RANGE SMALL = Ø1.4MM TO 2.7MM (SEAL COLOUR: BURNT ORANGE)
 4. SEE SHEET 3 FOR FINAL PART NUMBER
 5. SEE 934430010 PS P FOR PRODUCT SPECIFICATION
 6. SEE 934430002 PS K OR 934430010 PS K FOR PACKAGING SPECIFICATION
- INSPECTION NUMBERS 1 - 50 RESERVED FOR SHEET 2
 LAST INSPECTION NO. 6

THIS DRAWING CONTAINS INFORMATION THAT IS PROPRIETARY TO MOLEX ELECTRONIC TECHNOLOGIES, LLC AND SHOULD NOT BE USED WITHOUT WRITTEN PERMISSION												
QUALITY SYMBOLS		PROPOSED		GENERAL TOLERANCES (UNLESS SPECIFIED)		DIMENSION UNITS		SCALE		<p>3CCT ML-XT CV CONNECTOR</p> <p>PRODUCT CUSTOMER DRAWING</p>		
▽A	= 0	2016/01/07	2016/01/11	ANGULAR TOL ± 2.0 °		MM	1.5:1	DRWN BY				DATE
▽E	= 0	DRWN: JFLETCHER	CHK'D: NDOWDS	4 PLACES	±			JFLETCHER	2014/12/12			
▽F	= 0	EC NO: 102420	APPR: JDWALLACE	3 PLACES	±			CHK'D BY	DATE			
▽	= 0			2 PLACES	± 0.1			FDUGGAN	2015/01/08			
▽C	= 0			1 PLACE	± 0.2			APPR BY	DATE			
▽X	= 0			0 PLACES	±			JDWALLACE	2015/01/22			
■	= 0			DRAFT WHERE APPLICABLE MUST REMAIN WITHIN DIMENSIONS		DRAWING SIZE	THIRD ANGLE PROJECTION					
▽	= 0					A3						
RELEASE STATUS		P1	RELEASE DATE	14.01.2016	10:16:47							
SERIES		MATERIAL NUMBER		CUSTOMER								
93443		SEE CHART		GENERAL MARKET								
DOCUMENT NUMBER				DOC TYPE	DOC PART	SHEET NUMBER						
934430020				PSD	000	2 OF 7						



3CCT RECEPTACLE CONNECTOR

93444

2

-

--

SERIES No.

CIRCUIT SIZE
2 = 3CCT

ASSEMBLY OPTIONS:

- 1 = RECEP ASSEMBLY FOR WIRE JACKET RANGE: \varnothing 1.4mm-2.7mm (NOTE 2)
- 2 = RECEP ASSEMBLY FOR WIRE JACKET RANGE: \varnothing 2.7mm-3.6mm (NOTE 2)
- 5 = RECEP ASSEMBLY & HEATSHRINK FOR WIRE JACKET RANGE: \varnothing 1.4mm-2.7mm (NOTE 3)
- 6 = RECEP ASSEMBLY & HEATSHRINK FOR WIRE JACKET RANGE: \varnothing 2.7mm-3.6mm (NOTE 3)

COLOUR

- 01=BLACK
- 02=GREY 06=WHITE
- 03=GREEN 07=BROWN
- 04=BLUE 08=ORANGE
- 05=YELLOW 09=RED

EXAMPLE:

3cct RECEP BLACK WITH LARGE SEAL AND HEATSHRINK = 93444-2601

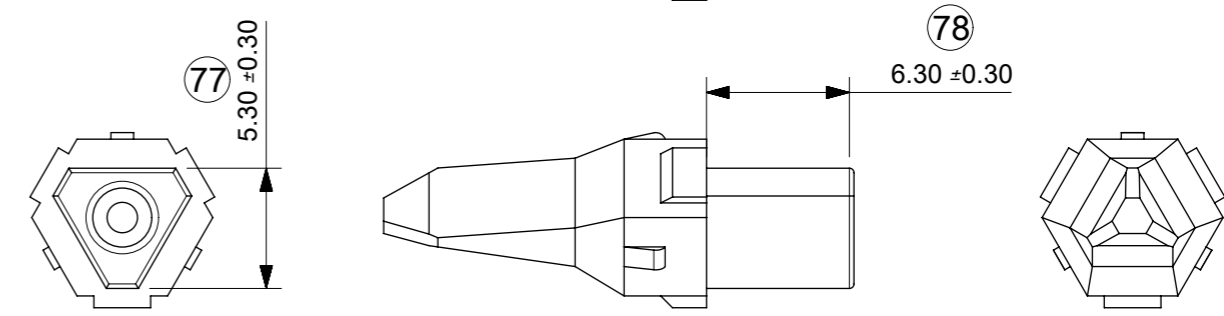
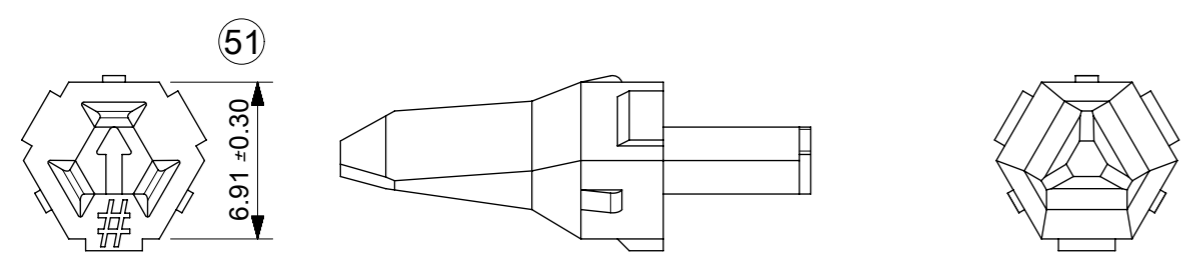
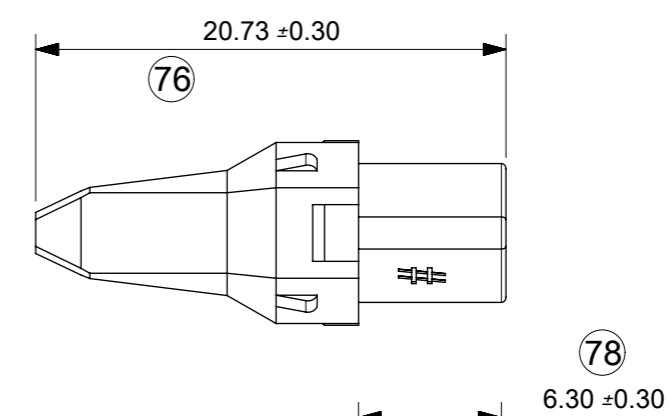
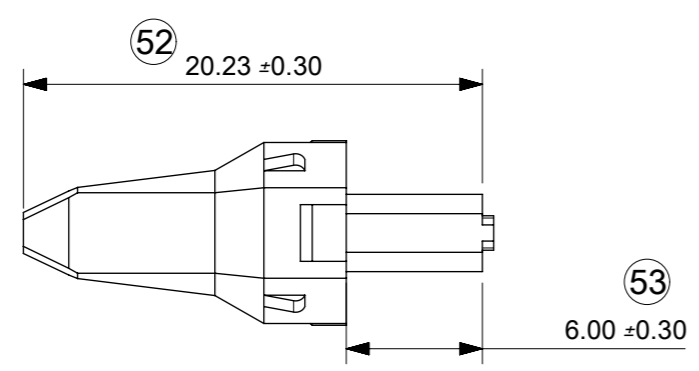
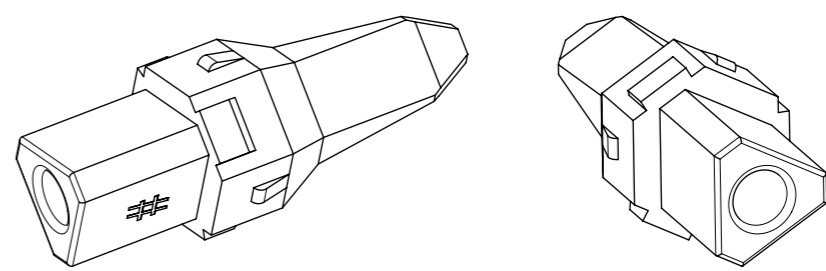
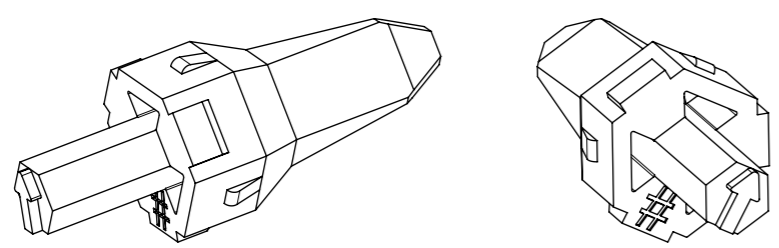
NOTES

1. SEE SHEET 2 FOR UNSPECIFIED NOTES AND DIMENSIONS
2. BACK COVER HOUSING COLOUR BLACK
3. PLEASE CONTACT MOLEX REGARDING HEATSHRINK HOUSING (HEATSHRINK HOUSING COLOUR: BLACK)

THIS DRAWING CONTAINS INFORMATION THAT IS PROPRIETARY TO MOLEX ELECTRONIC TECHNOLOGIES, LLC AND SHOULD NOT BE USED WITHOUT WRITTEN PERMISSION																	
QUALITY SYMBOLS ▽A = 0 ▽E = 0 ▽F = 0 ▼ = 0 ▽C = 0 ⊗ = 0 ■ = 0 ▽ = 0	PROPOSED EC NO: 102420 DRWN: JFLETCHER CHK'D: NDOOWDS APPR: JDWALLACE	GENERAL TOLERANCES (UNLESS SPECIFIED)		DIMENSION UNITS	SCALE												
		ANGULAR TOL ± 2.0 °		MM	1.5:1												
		4 PLACES ±		DRWN BY	DATE	3CCT ML-XT CV CONNECTOR											
		3 PLACES ±		JFLETCHER	2014/12/12												
		2 PLACES ± 0.1		CHK'D BY	DATE	PRODUCT CUSTOMER DRAWING											
		1 PLACE ± 0.2		FDUGGAN	2015/01/08												
		0 PLACES ±		APPR BY	DATE	<table border="1" style="width: 100%; border-collapse: collapse;"> <tr> <td style="width: 25%;">SERIES</td> <td style="width: 40%;">MATERIAL NUMBER</td> <td style="width: 35%;">CUSTOMER</td> </tr> <tr> <td>93443</td> <td>SEE CHART</td> <td>GENERAL MARKET</td> </tr> </table>						SERIES	MATERIAL NUMBER	CUSTOMER	93443	SEE CHART	GENERAL MARKET
		SERIES	MATERIAL NUMBER	CUSTOMER													
		93443	SEE CHART	GENERAL MARKET													
		DRAFT WHERE APPLICABLE MUST REMAIN WITHIN DIMENSIONS		DRAWING SIZE	THIRD ANGLE PROJECTION	<table border="1" style="width: 100%; border-collapse: collapse;"> <tr> <td style="width: 33%;">DOCUMENT NUMBER</td> <td style="width: 17%;">DOC TYPE</td> <td style="width: 17%;">DOC PART</td> <td style="width: 33%;">SHEET NUMBER</td> </tr> <tr> <td>934430020</td> <td>PSD</td> <td>000</td> <td>3 OF 7</td> </tr> </table>						DOCUMENT NUMBER	DOC TYPE	DOC PART	SHEET NUMBER	934430020	PSD
DOCUMENT NUMBER	DOC TYPE	DOC PART	SHEET NUMBER														
934430020	PSD	000	3 OF 7														
		A3															
		B1	REV														

RECEPTACLE WEDGELOCK STANDARD

RECEPTACLE WEDGELOCK J1939

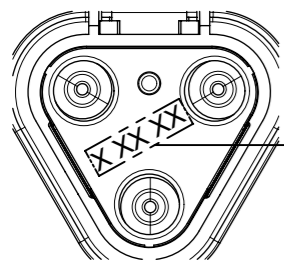
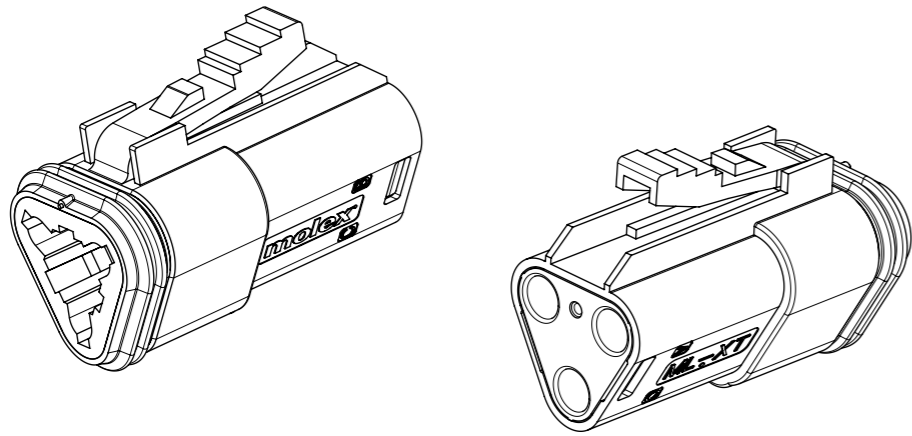


NOTES
 1. MATERIAL
 HOUSING: NYLON 30% GLASS FILLED
 COLOUR: GREEN
 2. PART NUMBER 934472003
 KEYING : STANDARD
 INSPECTION NUMBERS 51-75
 LAST INSPECTION NUMBER 53

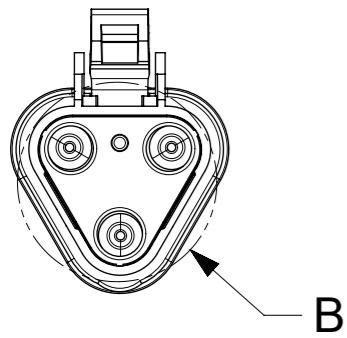
NOTES
 1. MATERIAL
 HOUSING: NYLON 30% GLASS FILLED
 COLOUR: BLUE
 2. PART NUMBER 934472004
 KEYING: J1939
 INSPECTION NUMBERS 76-100
 LAST INSPECTION NUMBER 79

THIS DRAWING CONTAINS INFORMATION THAT IS PROPRIETARY TO MOLEX ELECTRONIC TECHNOLOGIES, LLC AND SHOULD NOT BE USED WITHOUT WRITTEN PERMISSION															
QUALITY SYMBOLS ▽A = 0 ▽E = 0 ▽F = 0 ▼ = 0 ▽C = 0 ⊗ = 0 ■ = 0 ▽ = 0	PROPOSED EC NO: 102420 DRWN: JFLETCHER CHK'D: NDOWDS APPR: JDWALLACE	GENERAL TOLERANCES (UNLESS SPECIFIED)		DIMENSION UNITS	SCALE										
		ANGULAR TOL ± 2.0 °		MM	3:1										
		4 PLACES ±		DRWN BY	DATE										
		3 PLACES ±		JFLETCHER 2014/12/12		CHK'D BY		DATE		3CCT ML-XT CV CONNECTOR					
		2 PLACES ± 0.1		FDUGGAN 2015/01/08		APPR BY		DATE							
		1 PLACE ± 0.2		JDWALLACE 2015/01/22		DRAWING SIZE		THIRD ANGLE PROJECTION		PRODUCT CUSTOMER DRAWING					
		0 PLACES ±		DRAFT WHERE APPLICABLE MUST REMAIN WITHIN DIMENSIONS		A3				SERIES	MATERIAL NUMBER	CUSTOMER			
										93443	SEE CHART	GENERAL MARKET			
										DOCUMENT NUMBER		DOC TYPE	DOC PART	SHEET NUMBER	
										934430020		PSD	000	4 OF 7	

3CCT PLUG CONNECTOR



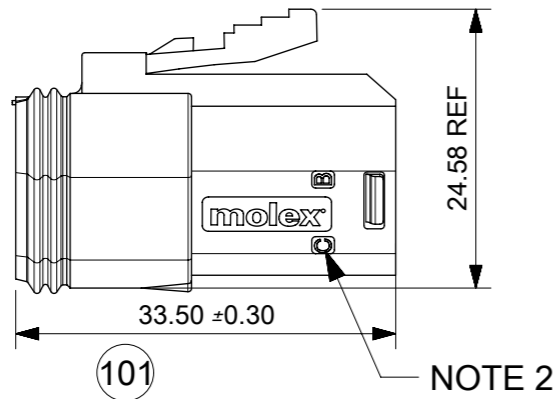
DETAIL B
SCALE 2:1



DATE CODE: X XX XX
X — DAY: 1- 7

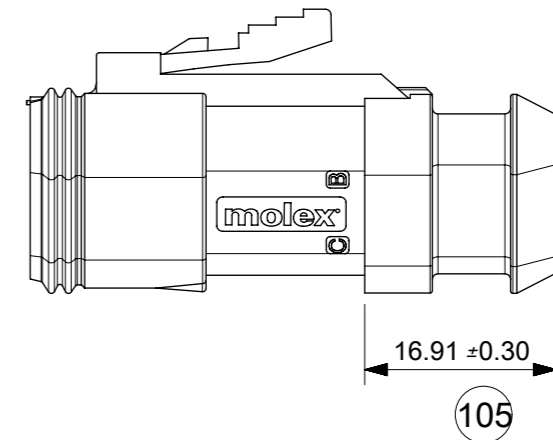
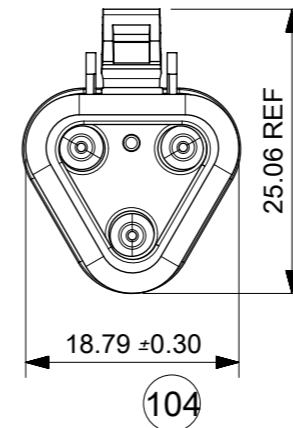
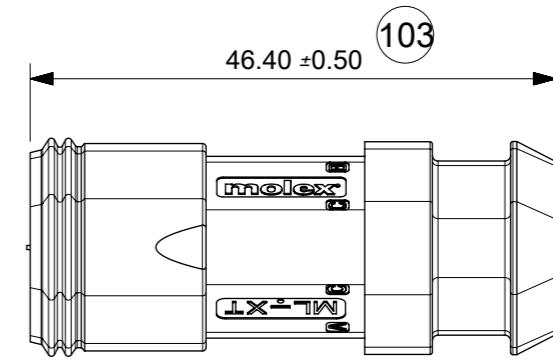
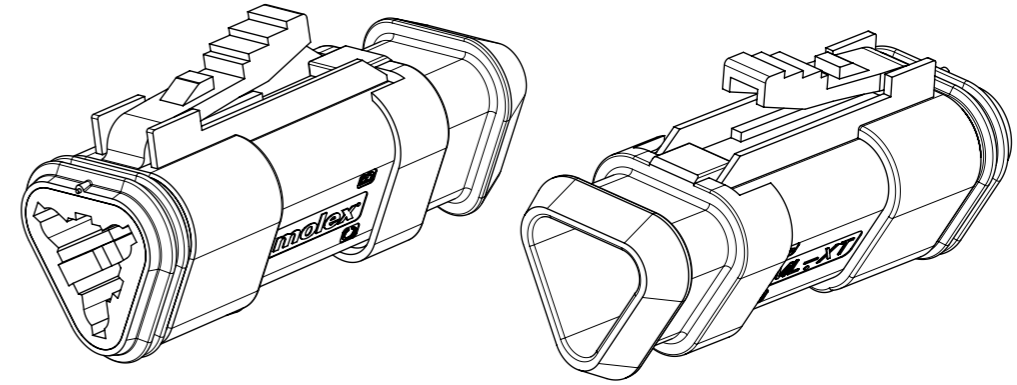
X — WEEK: 01 - 52
X — YEAR: 00 - 99

EXAMPLE: 11315 = DAY 1, WEEK 13, YEAR 15
i.e. 23rd OF MARCH 2015



NOTE 2

3CCT PLUG CONNECTOR WITH HEATSHRINK HOUSING ULTRA SONICALLY WELDED IN PLACE

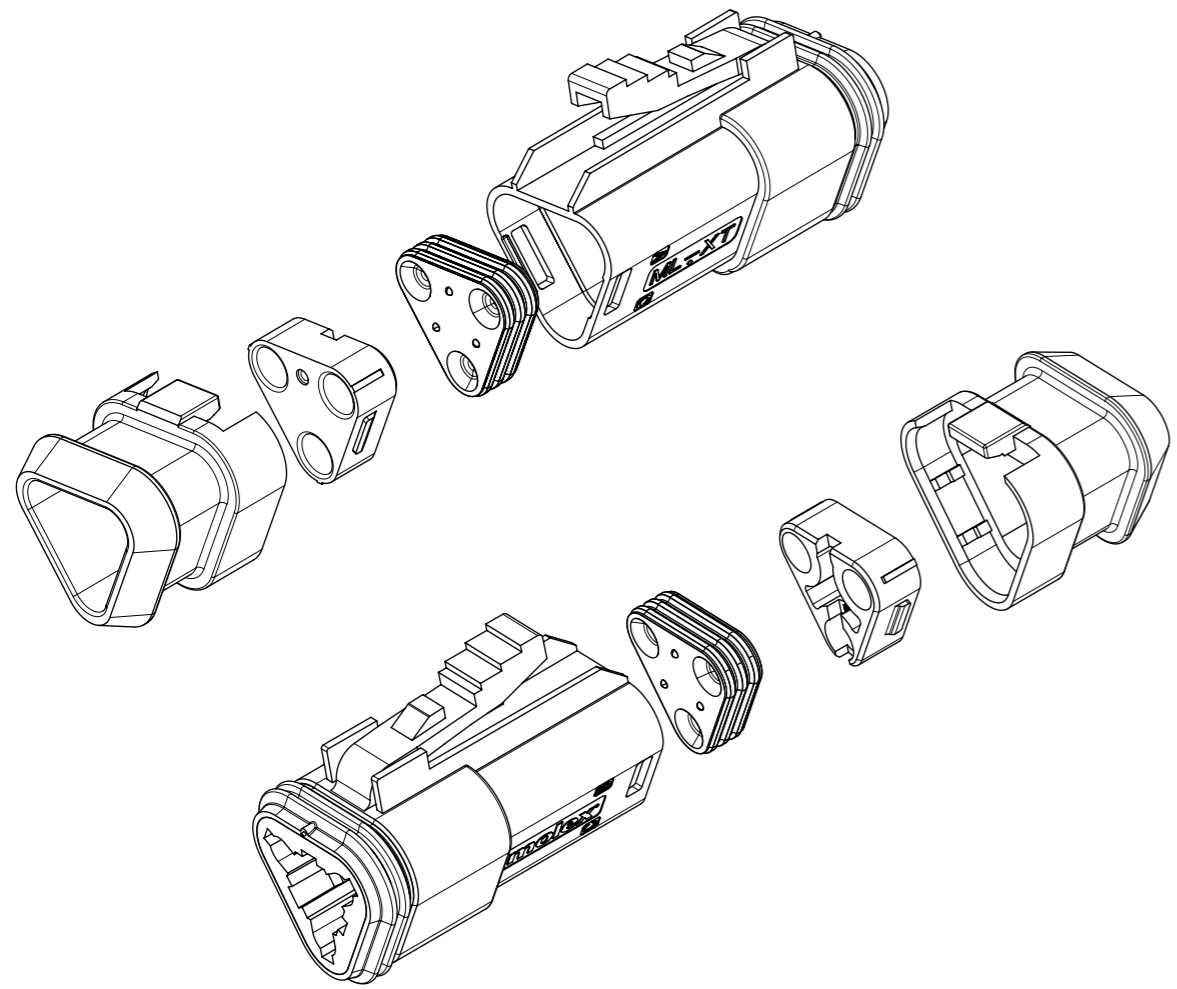


NOTES

- MATERIAL:
HOUSING: NYLON 30% GLASS FILLED
PLUG SEAL: SILICONE RUBBER
BACK SEAL: HIGH CONSISTENCY RUBBER
- CIRCUIT IDENTIFICATION
- JACKET RANGE LARGE = \varnothing 2.7MM TO 3.6MM (SEAL COLOUR: LIGHT BLUE)
JACKET RANGE SMALL = \varnothing 1.4MM TO 2.7MM (SEAL COLOUR: BURNT ORANGE)
- SEE SHEET 6 FOR FINAL PART NUMBER DESIGNATION
- INSPECTION NUMBERS 101-150 RESERVED FOR SHEET 5
LAST INSPECTION NUMBER 105

RELEASE STATUS P1 RELEASE DATE 14.01.2016 10:16:47

THIS DRAWING CONTAINS INFORMATION THAT IS PROPRIETARY TO MOLEX ELECTRONIC TECHNOLOGIES, LLC AND SHOULD NOT BE USED WITHOUT WRITTEN PERMISSION										
QUALITY SYMBOLS	EC NO: 102420 DRWN: JFLETCHER CHK'D: NDOWDS APPR: JDWALLACE	2016/01/07 2016/01/11 2016/01/14	GENERAL TOLERANCES (UNLESS SPECIFIED)		DIMENSION UNITS	SCALE				
			ANGULAR TOL ± 2.0 °		MM	1.5:1				
▽A = 0	PROPOSED B1	REV	4 PLACES ±	DRAFT WHERE APPLICABLE MUST REMAIN WITHIN DIMENSIONS	DRWN BY	DATE	3CCT ML-XT CV CONNECTOR			
▽E = 0			3 PLACES ±		JFLETCHER	2014/12/12				
▽F = 0			2 PLACES ± 0.1		CHK'D BY	DATE	PRODUCT CUSTOMER DRAWING			
▽ = 0			1 PLACE ± 0.2		FDUGGAN	2015/01/08				
▽ = 0			0 PLACES ±		APPR BY	DATE	SERIES	MATERIAL NUMBER	CUSTOMER	
▽ = 0					JDWALLACE	2015/01/22	93443	SEE CHART	GENERAL MARKET	
▽ = 0				DRAWING SIZE	THIRD ANGLE PROJECTION	DOCUMENT NUMBER	DOC TYPE	DOC PART	SHEET NUMBER	
				A3		934430020	PSD	000	5 OF 7	



3CCT PLUG CONNECTOR

93445

2

-

--

SERIES No. _____

CIRCUIT SIZE
2 = 3CCT

ASSEMBLY OPTIONS:

- 1 = PLUG ASSEMBLY FOR WIRE JACKET RANGE: Ø1.4mm-2.7mm (NOTE 2)
- 2 = PLUG ASSEMBLY FOR WIRE JACKET RANGE: Ø2.7mm-3.6mm (NOTE 2)
- 5 = PLUG ASSEMBLY & HEATSHRINK FOR WIRE JACKET RANGE: Ø1.4mm-2.7mm (NOTE 3)
- 6 = PLUG ASSEMBLY & HEATSHRINK FOR WIRE JACKET RANGE: Ø2.7mm-3.6mm (NOTE 3)

COLOUR

- 01=BLACK
- 02=GREY 06=WHITE
- 03=GREEN 07=BROWN
- 04=BLUE 08=ORANGE
- 05=YELLOW 09=RED

EXAMPLE:

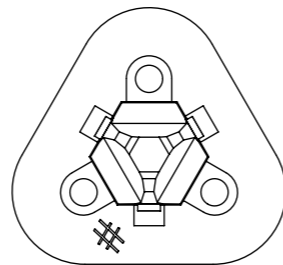
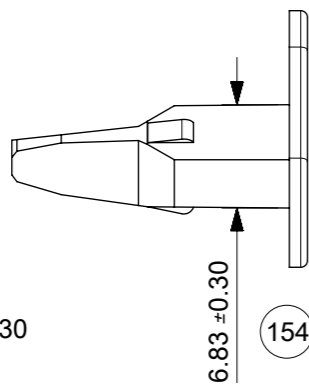
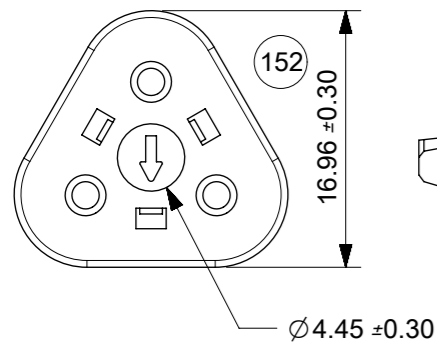
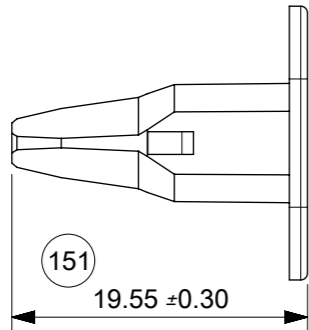
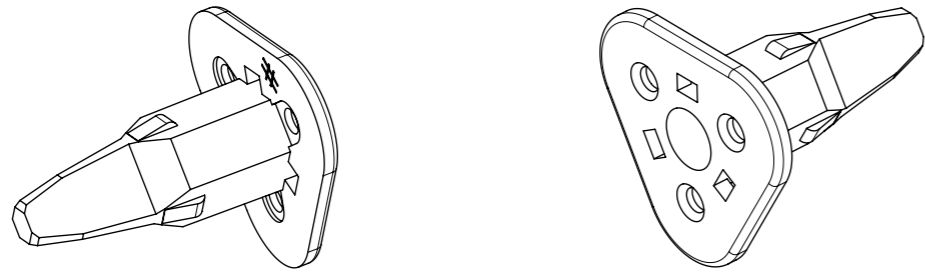
3cct PLUG BLACK WITH LARGE SEAL AND HEATSHRINK = 93444-2601

NOTES

1. SEE SHEET 5 FOR UNSPECIFIED NOTES AND DIMENSIONS
2. BACK COVER HOUSING COLOUR BLACK
3. PLEASE CONTACT MOLEX REGARDING HEATSHRINK HOUSING (HEATSHRINK HOUSING COLOUR: BLACK)

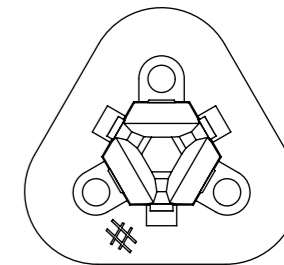
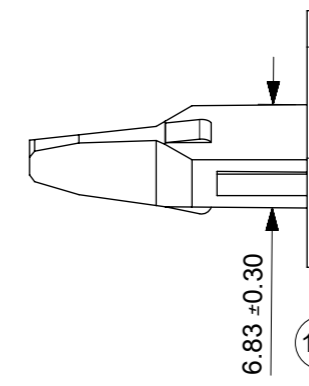
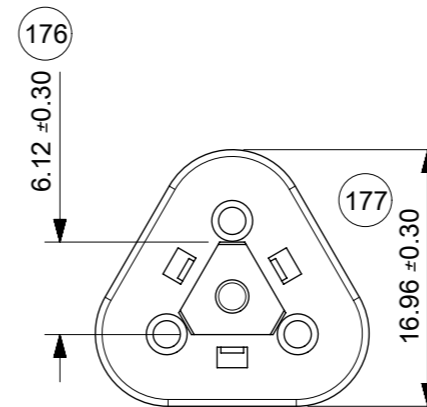
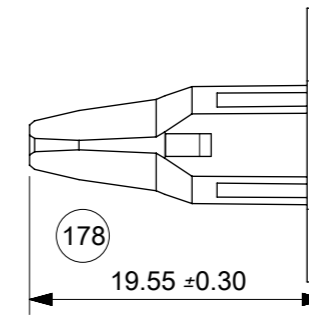
THIS DRAWING CONTAINS INFORMATION THAT IS PROPRIETARY TO MOLEX ELECTRONIC TECHNOLOGIES, LLC AND SHOULD NOT BE USED WITHOUT WRITTEN PERMISSION																			
QUALITY SYMBOLS	PROPOSED	EC NO: 102420	DRWN: JFLETCHER	CHK'D: NDOWNDS	APPR: JDWALLACE	GENERAL TOLERANCES (UNLESS SPECIFIED)		DIMENSION UNITS	SCALE										
						ANGULAR TOL ± 2.0 °		MM	1.5:1										
▽A = 0						4 PLACES ±		DRWN BY	DATE	3CCT ML-XT CV CONNECTOR									
▽E = 0						3 PLACES ±	JFLETCHER	2014/12/12											
▽F = 0						2 PLACES ± 0.1		CHK'D BY	DATE	PRODUCT CUSTOMER DRAWING									
▽ = 0						1 PLACE ± 0.2	FDUGGAN	2015/01/08											
▽ = 0						0 PLACES ±		APPR BY	DATE	<table border="1"> <tr> <td>SERIES</td> <td>MATERIAL NUMBER</td> <td>CUSTOMER</td> </tr> <tr> <td>93443</td> <td>SEE CHART</td> <td>GENERAL MARKET</td> </tr> </table>		SERIES	MATERIAL NUMBER	CUSTOMER	93443	SEE CHART	GENERAL MARKET		
SERIES	MATERIAL NUMBER	CUSTOMER																	
93443	SEE CHART	GENERAL MARKET																	
▽ = 0						DRAFT WHERE APPLICABLE MUST REMAIN WITHIN DIMENSIONS	DRAWING SIZE	THIRD ANGLE PROJECTION	<table border="1"> <tr> <td>DOCUMENT NUMBER</td> <td>DOC TYPE</td> <td>DOC PART</td> <td>SHEET NUMBER</td> </tr> <tr> <td>934430020</td> <td>PSD</td> <td>000</td> <td>6 OF 7</td> </tr> </table>			DOCUMENT NUMBER	DOC TYPE	DOC PART	SHEET NUMBER	934430020	PSD	000	6 OF 7
DOCUMENT NUMBER	DOC TYPE	DOC PART	SHEET NUMBER																
934430020	PSD	000	6 OF 7																
▽ = 0							A3												

PLUG WEDGELOCK STANDARD



- NOTES**
- MATERIAL**
HOUSING: NYLON 30% GLASS FILLED
COLOUR: GREEN
 - PART NUMBER 934482003**
KEYING : STANDARD
INSPECTION NUMBERS 151-175
LAST INSPECTION NUMBER 154

PLUG WEDGELOCK J1939



- NOTES**
- MATERIAL**
HOUSING: NYLON 30% GLASS FILLED
COLOUR: BLUE
 - PART NUMBER 934482004**
KEYING : J1939
INSPECTION NUMBERS 176-200
LAST INSPECTION NUMBER 179

THIS DRAWING CONTAINS INFORMATION THAT IS PROPRIETARY TO MOLEX ELECTRONIC TECHNOLOGIES, LLC AND SHOULD NOT BE USED WITHOUT WRITTEN PERMISSION												
QUALITY SYMBOLS ▽A = 0 ▽E = 0 ▽F = 0 ▼ = 0 ▽C = 0 ⊠ = 0 ■ = 0 ▽ = 0	PROPOSED EC NO: 102420 DRWN: JFLETCHER CHK'D: NDOWDS APPR: JDWALLACE	GENERAL TOLERANCES (UNLESS SPECIFIED) ANGULAR TOL ± 2.0 °		DIMENSION UNITS MM	SCALE 2:1							
		4 PLACES ± 3 PLACES ± 2 PLACES ± 0.1 1 PLACE ± 0.2 0 PLACES ±		DRWN BY JFLETCHER	DATE 2014/12/12							3CCT ML-XT CV CONNECTOR
		DRAFT WHERE APPLICABLE MUST REMAIN WITHIN DIMENSIONS		CHK'D BY FDUGGAN	DATE 2015/01/08	PRODUCT CUSTOMER DRAWING						
				APPR BY JDWALLACE	DATE 2015/01/22	SERIES 93443	MATERIAL NUMBER SEE CHART	CUSTOMER GENERAL MARKET				
				DRAWING SIZE A3	THIRD ANGLE PROJECTION	DOCUMENT NUMBER 934430020		DOC TYPE PSD	DOC PART 000	SHEET NUMBER 7 OF 7		